



Condensing unit
Voltage Code : FZ

WINAJ4519Z-FZ

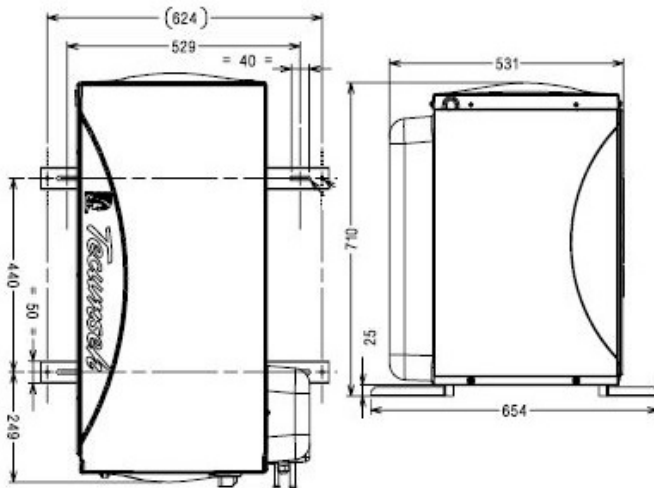
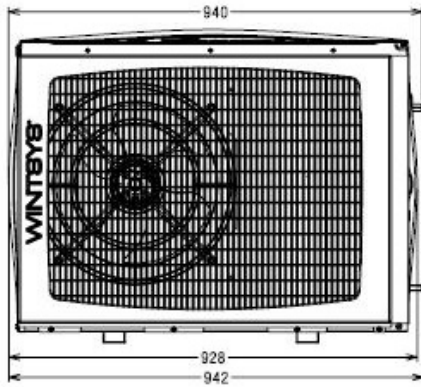
High Temp. Commercial (HP)

220 - 240V 1~ 50 Hz

R452A / R404A / R448A / R449A

WINAJ4519Z-FZ

Conditions	Frequency	Nominal Cooling Capacity		Sound Power ISO3745 / ISO 3743-1
		Watts	BTU/h	
EN13215 / R452A	50 Hz	2729	9306	63 dBA
EN13215 / R404A	50 Hz	2860	9754	63 dBA
EN13215 / R448A	50 Hz	2501	8528	63 dBA
EN13215 / R449A	50 Hz	2502	8532	63 dBA



* EN13215 : T°Ambient 32.0°C / T°Evap. -10.0°C / T°Return gas temp.. 20.0°C
T°Subcooling. 3.0K

Net Weight (Kg)	65.0
Expansion device	Expansion_Valve
Air Flow (m³/h)	1650
Compo Data Sheet	224ST-FZ
Elec Comp Type	CSR
Current (Amp)	
Load Rated Amp	10.2
Max Cont Current	15.5
Lock Rotor Amp	45
Fan	
Speed (rpm)	546
Power (W)	65.0
Diameter (mm)	360
Protection	Overload
IP Level	IP44
Condenser	360/14100
Liquid Receiver	
Capacity (L)	2.35
Maximum Pressure (Bars)	32.0
Suction Line	
Suction Type	Tube / Tube
For Tubing Out Diam	15.9 (5/8")
Suction Connection Type	Brased
Liquid Line	
Liquid Line Type	Tube
For Tubing Out Diam	9.5 (3/8")
Liquid Connecton Type	Brased
Connection Type	TT
Fan Guard	maille < à 8mm

Note : Tecumseh reserves the right to change information contained in this document without notification.



Tecumseh

WINAJ4519Z-FZ	Tension FZ : 220 - 240V 1~ 50 Hz
----------------------	-----------------------------------------

Les performances sont données dans les conditions EN13215 :	Gaz aspirés :	20.0 °C
Condition Dew	Sous refroidissement :	3.0 K
The performance data are in EN13215 conditions :	Return gas :	20.0 °C
Dew Condition	Subcooling :	3.0 K

© 2019 Tecumseh Products Company
All rights reserved

50 Hz R452A

N°6435

5 T ambience	6 T évaporation	(°C)	-25	-20	-15	-10	-5	0	5	10	15
25	1 P frigorifique	(Watt)	1550	2006	2509	3060	3659	4306	5007	5773	6622
	2 P absorbée	(W)	1136	1259	1389	1528	1676	1836	2007	2189	2381
	3 I absorbée	(A)	5.25	5.75	6.31	6.93	7.61	8.36	9.18	10.1	11.0
	4 Tc	(°C)	29.6	31.3	33.2	35.3	37.5	39.7	41.9	43.9	45.8
32	1 P frigorifique	(Watt)		1763	2228	2729	3266	3843	4467	5153	5921
	2 P absorbée	(W)		1289	1432	1584	1746	1920	2104	2299	2502
	3 I absorbée	(A)		5.81	6.44	7.14	7.89	8.71	9.59	10.5	11.5
	4 Tc	(°C)		37.2	39.2	41.2	43.3	45.5	47.5	49.4	51.0
43	1 P frigorifique	(Watt)			1775	2194	2634	3100	3605	4168	4817
	2 P absorbée	(W)			1474	1653	1842	2042	2252	2471	2696
	3 I absorbée	(A)			6.60	7.42	8.29	9.22	10.2	11.2	12.3
	4 Tc	(°C)			48.6	50.6	52.6	54.6	56.4	58.1	59.4

50 Hz R404A

N°6377

5 T ambience	6 T évaporation	(°C)	-25	-20	-15	-10	-5	0	5	10	15
25	1 P frigorifique	(Watt)	1685	2149	2657	3208	3801	4435	5116	5852	6662
	2 P absorbée	(W)	1198	1323	1453	1592	1739	1896	2063	2239	2423
	3 I absorbée	(A)	5.55	6.05	6.61	7.22	7.90	8.64	9.44	10.3	11.2
	4 Tc	(°C)	32.4	34.1	36.0	38.1	40.2	42.4	44.5	46.4	48.2
32	1 P frigorifique	(Watt)		1893	2362	2860	3389	3950	4550	5202	5927
	2 P absorbée	(W)		1359	1503	1654	1815	1984	2163	2350	2544
	3 I absorbée	(A)		6.13	6.77	7.46	8.20	9.01	9.87	10.8	11.7
	4 Tc	(°C)		40.0	41.8	43.8	45.9	47.9	49.8	51.6	53.2
43	1 P frigorifique	(Watt)			1887	2301	2728	3174	3649	4172	4770
	2 P absorbée	(W)			1558	1735	1921	2115	2318	2528	2741
	3 I absorbée	(A)			6.97	7.78	8.64	9.55	10.5	11.5	12.5
	4 Tc	(°C)			50.9	52.8	54.7	56.6	58.3	59.8	61.1

1 = cooling capacity 2 = power input 3 = current 4 = condensing temperature 5 = ambient temperature 6 = evaporating temperature

Nota : Tecumseh se réserve le droit de modifier les informations contenues dans ce document sans préavis.

Note : Tecumseh reserves the right to change information contained in this document without notification.



Tecumseh

WINAJ4519Z-FZ	Tension FZ : 220 - 240V 1~ 50 Hz
----------------------	-----------------------------------------

Les performances sont données dans les conditions EN13215 :	Gaz aspirés :	20.0 °C
Condition Dew	Sous refroidissement :	3.0 K
The performance data are in EN13215 conditions :	Return gas :	20.0 °C
Dew Condition	Subcooling :	3.0 K

© 2019 Tecumseh Products Company
All rights reserved

50 Hz R448A (*)

N°7013

5 T ambience	6 T évaporation	(°C)	-25	-20	-15	-10	-5	0	5	10	15
25	1 P frigorifique	(Watt)	1314	1756	2248	2793	3394	4057	4788	5600	6511
	2 P absorbée	(W)	1074	1190	1316	1452	1600	1760	1932	2115	2307
	3 I absorbée	(A)	4.94	5.42	5.96	6.57	7.26	8.01	8.83	9.71	10.6
	4 Tc	(°C)	29.9	31.6	33.6	35.7	37.9	40.2	42.4	44.4	46.3
32	1 P frigorifique	(Watt)		1540	1999	2501	3050	3653	4319	5063	5904
	2 P absorbée	(W)		1220	1360	1510	1673	1848	2035	2233	2439
	3 I absorbée	(A)		5.49	6.11	6.79	7.55	8.38	9.27	10.2	11.2
	4 Tc	(°C)		37.7	39.6	41.7	43.8	45.9	48.0	49.9	51.5
43	1 P frigorifique	(Watt)				2040	2507	3017	3581		
	2 P absorbée	(W)				1580	1772	1978	2195		
	3 I absorbée	(A)				7.09	7.97	8.92	9.93		
	4 Tc	(°C)				51.1	53.1	55.1	56.9		

50 Hz R449A (*)

N°6407

5 T ambience	6 T évaporation	(°C)	-25	-20	-15	-10	-5	0	5	10	15
25	1 P frigorifique	(Watt)	1315	1757	2249	2794	3396	4059	4791	5604	6515
	2 P absorbée	(W)	1074	1190	1316	1452	1600	1760	1932	2115	2307
	3 I absorbée	(A)	4.94	5.42	5.96	6.57	7.26	8.01	8.83	9.71	10.6
	4 Tc	(°C)	29.9	31.7	33.6	35.7	37.9	40.2	42.3	44.4	46.2
32	1 P frigorifique	(Watt)		1541	2000	2502	3052	3655	4321	5065	5907
	2 P absorbée	(W)		1220	1360	1510	1673	1848	2035	2233	2439
	3 I absorbée	(A)		5.49	6.11	6.79	7.55	8.38	9.27	10.2	11.2
	4 Tc	(°C)		37.7	39.6	41.7	43.8	45.9	47.9	49.8	51.5
43	1 P frigorifique	(Watt)				2041	2509	3018	3582		
	2 P absorbée	(W)				1580	1772	1978	2195		
	3 I absorbée	(A)				7.09	7.97	8.92	9.93		
	4 Tc	(°C)				51.1	53.0	55.0	56.8		

1 = cooling capacity 2 = power input 3 = current 4 = condensing temperature 5 = ambient temperature 6 = evaporating temperature

(*) Veuillez vous référer strictement aux Recommandations d'Utilisation et Bulletins Marketing Tecumseh du fait de la température de reflux élevée pour les applications LBP.

(*) Due to very high discharge temperature especially on LBP conditions, please strictly refer to Tecumseh Guidelines & Marketing Bulletin when using this refrigerant.

Nota : Tecumseh se réserve le droit de modifier les informations contenues dans ce document sans préavis.

Note : Tecumseh reserves the right to change information contained in this document without notification.