

Condensing unit  
Voltage Code : FZ

# CAJN9513ZMHR-FZ

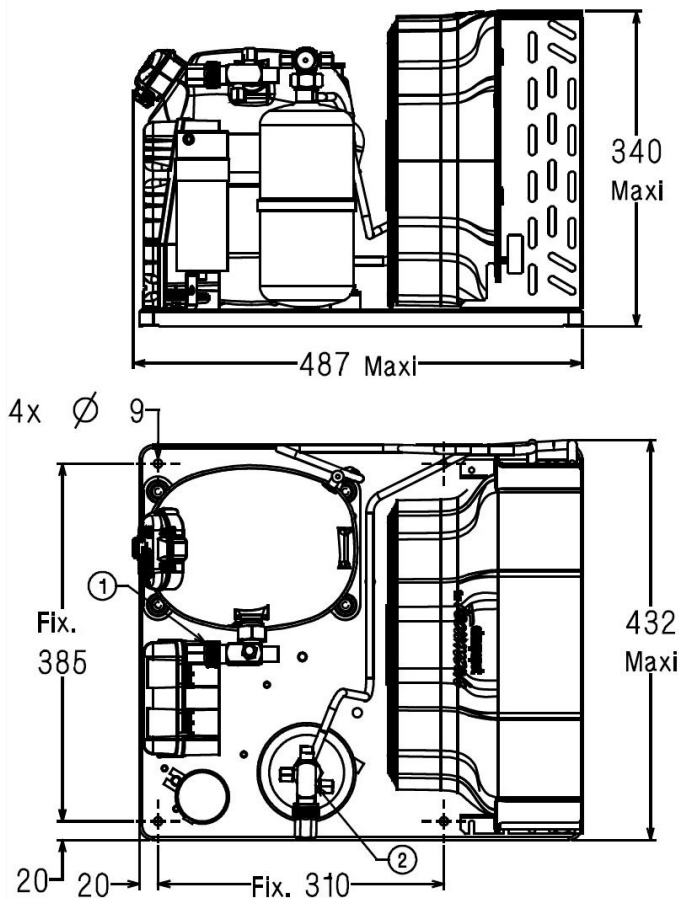
High Temp. Commercial (MHP)

220 - 240V 1~ 50 Hz

R452A / R404A / R448A / R449A

CAJN9513ZMHR-FZ

Conditions	Frequency	Nominal Cooling Capacity		Sound Power ISO3745 / ISO 3743-1
		Watts	BTU/h	
EN13215 / R452A	50 Hz	1685	5745	65 dBA
EN13215 / R404A	50 Hz	1768	6029	65 dBA
EN13215 / R448A	50 Hz	1560	5320	65 dBA
EN13215 / R449A	50 Hz	1561	5323	65 dBA



<b>Net Weight (Kg)</b>	34.0
<b>Expansion device</b>	Expansion_Valve
<b>Air Flow (m³/h)</b>	900
<b>Compo Data Sheet</b>	224JT-FZ
<b>Elec Comp Type</b>	CSR
<b>Current (Amp)</b>	
Load Rated Amp	6.9
Max Cont Current	11.5
Lock Rotor Amp	33
<b>Fan</b>	
Speed (rpm)	1200
Power (W)	30.0
Diameter (mm)	300
Protection	Overload
IP Level	IP54
<b>Condenser</b>	300/3900
<b>Liquid Receiver</b>	
Capacity (L)	1.5
Maximum Pressure (Bars)	32.0
<b>Suction Line</b>	
Suction Type	Vanne Orientable
For Tubing Out Diam	15.9 (5/8")
Suction Connection Type	Brased
<b>Liquid Line</b>	
Liquid Line Type	Vanne Orientable
For Tubing Out Diam	9.5 (3/8")
Liquid Connecton Type	Brased
<b>Connection Type</b>	VR
<b>Fan Guard</b>	maille < à 8mm

\* EN13215 : T°Ambient 32.0°C / T°Evap. -10.0°C / T°Return gas temp.. 20.0°C  
T°Subcooling. 3.0K

Note : Tecumseh reserves the right to change information contained in this document without notification.



**Tecumseh**

<b>CAJN9513ZMHR-FZ</b>	<b>Tension FZ : 220 - 240V 1~ 50 Hz</b>
------------------------	---

Les performances sont données dans les <b>conditions EN13215</b> :	Gaz aspirés :	20.0 °C
Condition Dew	Sous refroidissement :	3.0 K
The performance data are in <b>EN13215 conditions</b> :	Return gas :	20.0 °C
Dew Condition	Subcooling :	3.0 K

<b>50 Hz R452A</b>											
											<b>N°6291</b>
5   T ambience	6   T évaporation	(°C)	<b>-25</b>	<b>-20</b>	<b>-15</b>	<b>-10</b>	<b>-5</b>	<b>0</b>	<b>5</b>	<b>10</b>	<b>15</b>
<b>25</b>	1   P frigorifique	(Watt)	991	1263	1568	1897	2243	2597	2950	3295	3626
	2   P absorbée	(W)	652	751	855	966	1084	1213	1352	1505	1672
	3   I absorbée	(A)	3.66	4.03	4.44	4.90	5.43	6.01	6.66	7.38	8.17
	4   Tc	(°C)	31.4	34.2	37.0	40.0	43.1	46.3	49.6	53.0	56.5
<b>32</b>	1   P frigorifique	(Watt)	846	1102	1384	1685	1997	2315	2630	2938	
	2   P absorbée	(W)	649	758	872	992	1120	1257	1405	1565	
	3   I absorbée	(A)	3.61	4.03	4.50	5.01	5.58	6.20	6.89	7.64	
	4   Tc	(°C)	37.1	39.7	42.4	45.2	48.0	51.0	54.2	57.4	
<b>43</b>	1   P frigorifique	(Watt)		842	1089	1346	1609	1872			
	2   P absorbée	(W)		747	879	1017	1161	1314			
	3   I absorbée	(A)		3.98	4.54	5.13	5.78	6.47			
	4   Tc	(°C)		48.4	50.8	53.3	55.9	58.7			

<b>50 Hz R404A</b>											
											<b>N°5051</b>
5   T ambience	6   T évaporation	(°C)	<b>-25</b>	<b>-20</b>	<b>-15</b>	<b>-10</b>	<b>-5</b>	<b>0</b>	<b>5</b>	<b>10</b>	<b>15</b>
<b>25</b>	1   P frigorifique	(Watt)	1079	1356	1663	1990	2330	2671	3003	3318	3608
	2   P absorbée	(W)	691	792	897	1008	1127	1253	1390	1538	1699
	3   I absorbée	(A)	3.88	4.24	4.66	5.12	5.64	6.22	6.85	7.55	8.31
	4   Tc	(°C)	34.2	36.9	39.8	42.6	45.6	48.7	51.8	55.0	58.3
<b>32</b>	1   P frigorifique	(Watt)	927	1187	1470	1768	2073	2376	2669	2945	3199
	2   P absorbée	(W)	691	803	918	1039	1166	1301	1446	1601	1768
	3   I absorbée	(A)	3.84	4.27	4.73	5.24	5.81	6.42	7.09	7.82	8.60
	4   Tc	(°C)	39.8	42.3	44.9	47.6	50.4	53.2	56.2	59.2	62.3
<b>43</b>	1   P frigorifique	(Watt)	679	915	1163	1416	1669	1915			
	2   P absorbée	(W)	669	799	933	1071	1214	1364			
	3   I absorbée	(A)	3.73	4.25	4.80	5.40	6.03	6.71			
	4   Tc	(°C)	48.5	50.7	53.0	55.4	57.8	60.4			

**1 = cooling capacity 2 = power input 3 = current 4 = condensing temperature 5 = ambient temperature 6 = evaporating temperature**

**Nota : Tecumseh se réserve le droit de modifier les informations contenues dans ce document sans préavis.**

**Note : Tecumseh reserves the right to change information contained in this document without notification.**

© 2019 Tecumseh Products Company  
All rights reserved



**Tecumseh**

<b>CAJN9513ZMHR-FZ</b>	<b>Tension FZ : 220 - 240V 1~ 50 Hz</b>
------------------------	---

Les performances sont données dans les <b>conditions EN13215</b> :	Gaz aspirés :	20.0 °C
Condition Dew	Sous refroidissement :	3.0 K
The performance data are in <b>EN13215 conditions</b> :	Return gas :	20.0 °C
Dew Condition	Subcooling :	3.0 K

© 2019 Tecumseh Products Company  
All rights reserved

### 50 Hz R448A (\*)

**N°6981**

5   T ambience	6   T évaporation	(°C)	-25	-20	-15	-10	-5	0	5	10	15
<b>25</b>	1   P frigorifique	(Watt)		1120	1416	1743	2095	2469	2862	3268	3684
	2   P absorbée	(W)		728	829	938	1057	1187	1329	1487	1661
	3   I absorbée	(A)		4.07	4.51	5.00	5.54	6.14	6.80	7.52	8.32
	4   Tc	(°C)		34.5	37.5	40.5	43.6	46.8	50.1	53.5	56.9
<b>32</b>	1   P frigorifique	(Watt)			1257	1560	1885	2229	2589		
	2   P absorbée	(W)			848	967	1096	1236	1389		
	3   I absorbée	(A)			4.59	5.13	5.72	6.36	7.06		
	4   Tc	(°C)			42.8	45.6	48.5	51.5	54.6		
<b>43</b>	1   P frigorifique	(Watt)				1272	1557				
	2   P absorbée	(W)				998	1146				
	3   I absorbée	(A)				5.28	5.95				
	4   Tc	(°C)				53.8	56.4				

### 50 Hz R449A (\*)

**N°6223**

5   T ambience	6   T évaporation	(°C)	-25	-20	-15	-10	-5	0	5	10	15
<b>25</b>	1   P frigorifique	(Watt)		1120	1417	1744	2096	2471	2863	3270	3686
	2   P absorbée	(W)		728	829	938	1057	1187	1329	1487	1661
	3   I absorbée	(A)		4.07	4.51	5.00	5.54	6.14	6.80	7.52	8.32
	4   Tc	(°C)		34.6	37.5	40.5	43.5	46.7	50.0	53.4	56.9
<b>32</b>	1   P frigorifique	(Watt)			1258	1561	1886	2230	2590		
	2   P absorbée	(W)			848	967	1096	1236	1389		
	3   I absorbée	(A)			4.59	5.13	5.72	6.36	7.06		
	4   Tc	(°C)			42.8	45.6	48.5	51.5	54.6		
<b>43</b>	1   P frigorifique	(Watt)				1273	1558				
	2   P absorbée	(W)				998	1146				
	3   I absorbée	(A)				5.28	5.95				
	4   Tc	(°C)				53.8	56.3				

**1 = cooling capacity 2 = power input 3 = current 4 = condensing temperature 5 = ambient temperature 6 = evaporating temperature**

(\*) Veuillez vous référer strictement aux Recommandations d'Utilisation et Bulletins Marketing Tecumseh du fait de la température de reflux élevée pour les applications LBP.

(\*) Due to very high discharge temperature especially on LBP conditions, please strictly refer to Tecumseh Guidelines & Marketing Bulletin when using this refrigerant.

**Nota : Tecumseh se réserve le droit de modifier les informations contenues dans ce document sans préavis.**

**Note : Tecumseh reserves the right to change information contained in this document without notification.**