

AIR CONDITIONER

Wall mounted type

SERVICE MANUAL

INDOOR



ASYG07KETA
ASYG09KETA
ASYG12KETA
ASYG14KETA



ASYG07KETA-B
ASYG09KETA-B
ASYG12KETA-B
ASYG14KETA-B

OUTDOOR



AOYG07KETA
AOYG09KETA
AOYG12KETA



AOYG14KETA

Notices:

- Product specifications and design are subject to change without notice for future improvement.
- For further details, please check with our authorized dealer.

Trademarks

The following term and logo are trademarks of Fujitsu General Limited in the United States, other countries or both:

FGLair™



Android and Google Play are trademarks of Google Inc.

App Store is a service mark of Apple Inc., registered in the U.S. and other countries.

IOS is a trademark or registered trademark of Cisco in the U.S. and other countries and is used under license.

CONTENTS

1. GENERAL INFORMATION

2. TECHNICAL DATA AND PARTS LIST

3. TROUBLESHOOTING

4. CONTROL AND FUNCTIONS

5. FIELD WORKING

1. GENERAL INFORMATION

CONTENTS

1. GENERAL INFORMATION

1. Specifications	01-1
1-1. Indoor units.....	01-1
1-2. Outdoor units.....	01-3
2. Dimensions	01-4
2-1. Indoor unit	01-4
2-2. Outdoor unit.....	01-6

1. Specifications

1-1. Indoor units

Type				Wall mounted					
				Inverter heat pump					
Model name				ASYG07KETA ASYG07KETA-B	ASYG09KETA ASYG09KETA-B	ASYG12KETA ASYG12KETA-B	ASYG14KETA ASYG14KETA-B		
Power supply				230 V ~ 50 Hz					
Available voltage range				198—264 V					
Capacity	Cooling	Rated	kW	2.00	2.50	3.40	4.20		
			Btu/h	6,800	8,500	11,600	14,300		
		Min.—Max.	kW	0.9—3.0	0.9—3.2	0.9—3.9	0.9—4.4		
	Heating	Rated	Btu/h	3,100—10,200	3,100—10,900	3,100—13,300	3,100—15,000		
			kW	2.50	2.80	4.00	5.40		
		Min.—Max.	kW	0.9—3.4	0.9—4.0	0.9—5.3	0.9—6.0		
Input power	Cooling	Rated	kW	0.450	0.630	0.935	1.220		
			Btu/h	0.25—1.17	0.25—1.21	0.25—1.27	0.25—1.40		
		Min.—Max.	kW	0.555	0.620	0.960	1.410		
	Heating	Rated	Btu/h	0.25—1.21	0.25—1.26	0.25—1.52	0.25—1.73		
			kW	2.21	26.5	26.5	33.6		
		Min.—Max.	W	15.1	16.0	16.0	20.0		
Fan	HIGH	MED	LOW	QUIET	W	10.0	10.0	10.0	11.8
						6.4	6.4	6.4	7.1
						2.6	3.4	4.8	5.8
						3.0	3.4	5.1	6.8
Current	Cooling	Rated	A	2.6	3.4	4.8	5.8		
	Heating		3.0	3.4	5.1	6.8			
EER	Cooling	kW/kW	4.43	3.97	3.65	3.44			
COP	Heating		4.52	4.52	4.17	3.83			
Sensible capacity	Cooling	kW	1.2	1.6	2.2	3.2			
Power factor	Cooling	%	75	81	88	88			
	Heating		80	79	87	87			
Moisture removal			L/h (pints/h)	1.0 (1.80)	1.3 (2.30)	1.8 (3.20)	2.1 (3.70)		
Maximum operating current *1	Cooling			A	6.5	6.5	6.5	6.5	
	Heating			A	9.0	9.0	9.0	9.0	
Fan	Airflow rate	Cooling	HIGH	m ³ /h	650	700	700	770	
			MED		540	560	560	600	
			LOW		430	430	430	450	
			QUIET		270	270	270	280	
		Heating	HIGH		720	750	770	800	
			MED		580	610	640	660	
			LOW		460	470	520	520	
			QUIET		330	330	330	340	
	Type × Q'ty		Cross flow fan × 1						
	Motor output				W	22	24	27	30
Sound pressure level *2	Cooling	HIGH	dB (A)	38	40	40	43		
		MED		33	34	35	36		
		LOW		29	29	30	30		
		QUIET		20	20	20	20		
	Heating	HIGH		41	42	42	44		
		MED		35	36	38	39		
		LOW		31	31	33	33		
		QUIET		22	22	22	24		
		Main1: 210 × 670 × 26.6		mm	Main1: 210 × 670 × 26.6				
		Main2: 112 × 670 × 20			Main2: 112 × 670 × 20				
Fin pitch		Main1: 1.2, Main2: 1.1							
Rows × Stages		Main1: 2 × 10, Main2: 2 × 7							
Pipe type		Copper tube							
Fin type		Aluminum							
Material		Polystyrene							
Color		KETA; White + Pearl white (painted) Approximate color of Munsell N 9.25/ KETA-B; Dark Gray + Silver (painted) Approximate color of Munsell 0.5P 3.5/0.2							
Dimensions (H × W × D)	Net	mm	295 × 950 × 230						
	Gross		284 × 1,027 × 357						
Weight	Net	kg	11.0						
	Gross		14.5						
Connection pipe	Size	Liquid	mm (in)	Ø 6.35 (Ø 1/4)					
		Gas		Ø 9.52 (Ø 3/8)					
	Method			Flare					
Drain hose	Material	PP+HDPE							
	Size	Ø 13.8 (I.D.), Ø 15.0 to Ø 16.8 (O.D.)							
Operation range	Cooling	°C	18 to 32						
		%RH	80 or less						
	Heating	°C	16 to 30						
Remote controller type	Wireless (Wired, Mobile app*3 [FLair™] [option])								

Type	Wall mounted			
	Inverter heat pump			
Model name	ASYG07KETA ASYG07KETA-B	ASYG09KETA ASYG09KETA-B	ASYG12KETA ASYG12KETA-B	ASYG14KETA ASYG14KETA-B
NOTES:				
<ul style="list-style-type: none"> • Specifications are based on the following conditions: <ul style="list-style-type: none"> – Cooling: Indoor temperature of 27 °CDB/19 °CWB, and outdoor temperature of 35 °CDB/24 °CWB. – Heating: Indoor temperature of 20 °CDB/15 °CWB, and outdoor temperature of 7 °CDB/6 °CWB. – Pipe length: 5 m, Height difference: 0 m. (Between outdoor unit and indoor unit.) • Protective function might work when using it outside the operation range. • *1: Maximum current is maximum value when operated within the operation range. • *2: Sound pressure level: <ul style="list-style-type: none"> – Measured values in manufacturer's anechoic chamber. – Because of the surrounding sound environment, the sound levels measured in actual installation conditions might be higher than the specified values here. • *3: Available on Google Play™ store or on App Store®. Optional WLAN adapter is also required. For details, refer to the setting manual. • This data is based on EN 14511 standard. 				

Specifications for Lot10							
Model name		ASYG07KETA ASYG07KETA-B	ASYG09KETA ASYG09KETA-B	ASYG12KETA ASYG12KETA-B	ASYG14KETA ASYG14KETA-B		
Energy efficiency class	Cooling	A ⁺⁺					
	Heating (Average)	A ⁺					
Pdesign	Cooling	kW	2.0 (35 °C)	2.5 (35 °C)	3.4 (35 °C)	4.2 (35 °C)	
	Heating (Average)		2.3 (-10 °C)	2.4 (-10 °C)	2.5 (-10 °C)	4.0 (-10 °C)	
SEER	Cooling	kWh/kWh	7.4	7.4	7.3	6.9	
SCOP	Heating (Average)		4.1	4.1	4.4	4.1	
Annual energy consumption	QCE	kWh/a	95	118	163	213	
	QHE (Average)		785	819	795	1,367	
Sound power level	Cooling	HIGH	dB (A)	54	55	55	
	Heating			56	57	58	59

1-2. Outdoor units

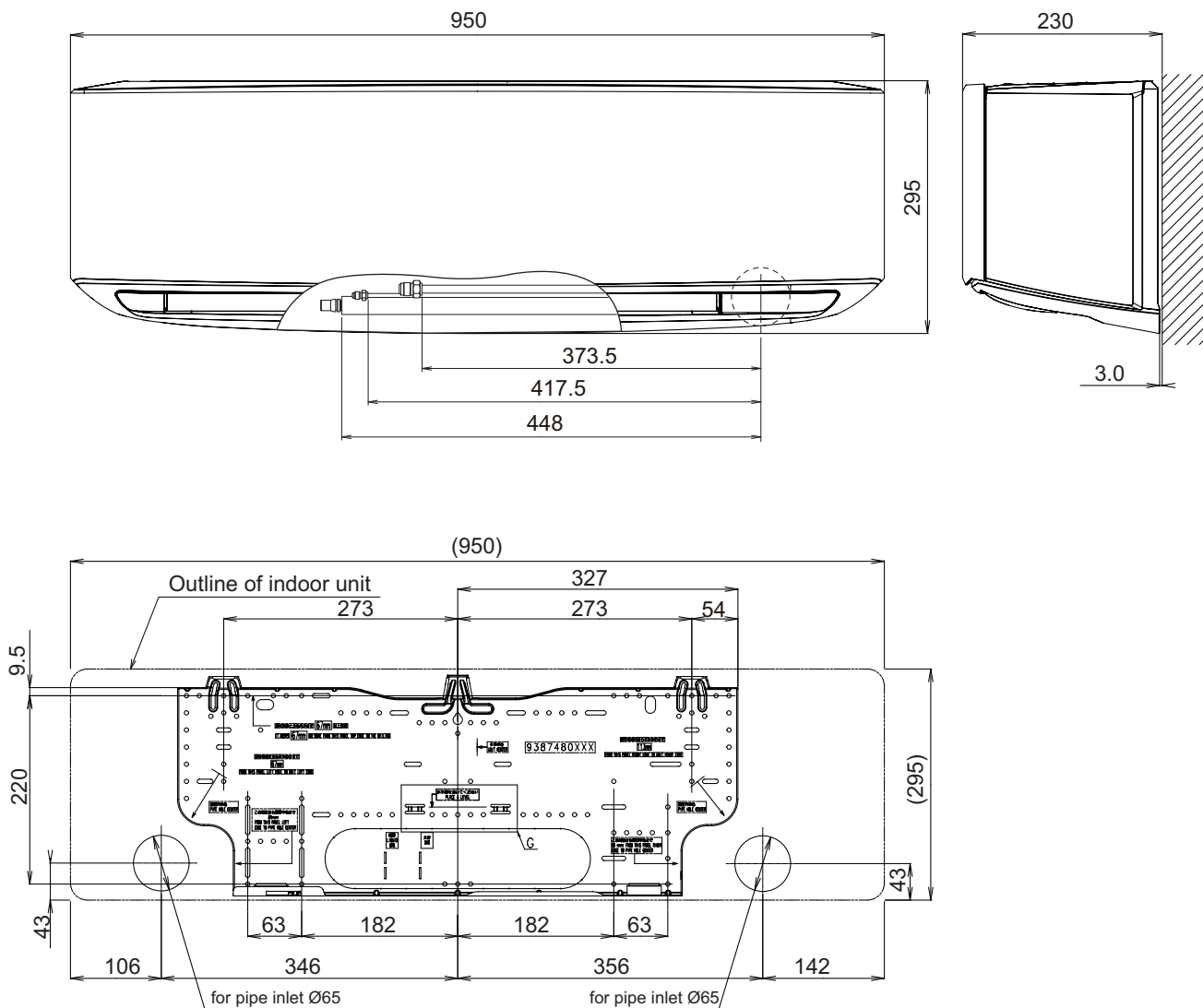
Type			Inverter heat pump				
Model name			AOYG07KETA	AOYG09KETA	AOYG12KETA	AOYG14KETA	
Power supply			230 V ~ 50 Hz				
Available voltage range			198—264 V				
Starting current			A				
			3.0	3.4	5.1	6.8	
Fan	Airflow rate	Cooling	1,650	1,650	1,700	1,680	
		Heating	1,450	1,450	1,470	1,580	
	Type × Q'ty	Propeller fan × 1					
Motor output			W				
			23				
Sound pressure level *1	Cooling	dB (A)	46		50		
		Heating	46		50		
Sound power level	Cooling	dB (A)	61		65		
		Heating	61	62	65	66	
Heat exchanger type	Dimensions (H × W × D)	mm	504 × 650 × 18.2		504 × 630 × 36.4	504 × 881 × 36.4	
	Fin pitch		1.3				
	Rows × Stages	1 × 24		2 × 24			
	Pipe type	Copper					
	Fin type	Type (Material)	Corrugate (Aluminum)				
	Surface treatment	PC Fin					
Compressor	Type	DC rotary					
	Motor output	W	550		900		
Refrigerant	Type (Global warming potential)	R32 (675)					
	Charge	g	600	700	850		
Refrigerant oil	Type	RB74AF				RB68A	
	Amount	cm ³	240		340		
Enclosure	Material	Steel sheet					
	Color	Beige Approximate color of Munsell 10YR 7.5/1.0					
Dimensions (H × W × D)	Net	mm	541 × 663 × 290		542 × 799 × 290		
	Gross		602 × 804 × 375		602 × 940 × 375		
Weight	Net	kg	23		25	31	
	Gross		26		29	35	
Connection pipe	Size	Liquid	Ø 6.35 (Ø 1/4)				
		Gas	Ø 9.52 (Ø 3/8)				
	Method	Flare					
	Pre-charge length	m	15				
	Max. length		20				
Max. height difference	15						
Operation range	Cooling	°C	-10 to 46				
	Heating		-15 to 24				
Drain hose	Material	PP+LLDPE					
	Size	mm	Ø 13.0 (I. D.), Ø 16.0 to Ø 16.8 (O. D.)				
NOTES:							
<ul style="list-style-type: none"> • Specifications are based on the following conditions: <ul style="list-style-type: none"> – Cooling: Indoor temperature of 27 °CDB/19 °CWB, and outdoor temperature of 35 °CDB/24 °CWB. – Heating: Indoor temperature of 20 °CDB/15 °CWB, and outdoor temperature of 7 °CDB/6 °CWB. – Pipe length: 5 m, Height difference: 0 m. • Protective function might work when using it outside the operation range. • *1: Sound pressure level <ul style="list-style-type: none"> – Measured values in manufacturer's anechoic chamber. – Because of the surrounding sound environment, the sound levels measured in actual installation conditions might be higher than the specified values here. • This data is based on EN 14511 standard. 							

2. Dimensions

2-1. Indoor unit

■ Models: ASYG07KETA, ASYG07KETA-B, ASYG09KETA, ASYG09KETA-B, ASYG12KETA, ASYG12KETA-B, ASYG14KETA, and ASYG14KETA-B

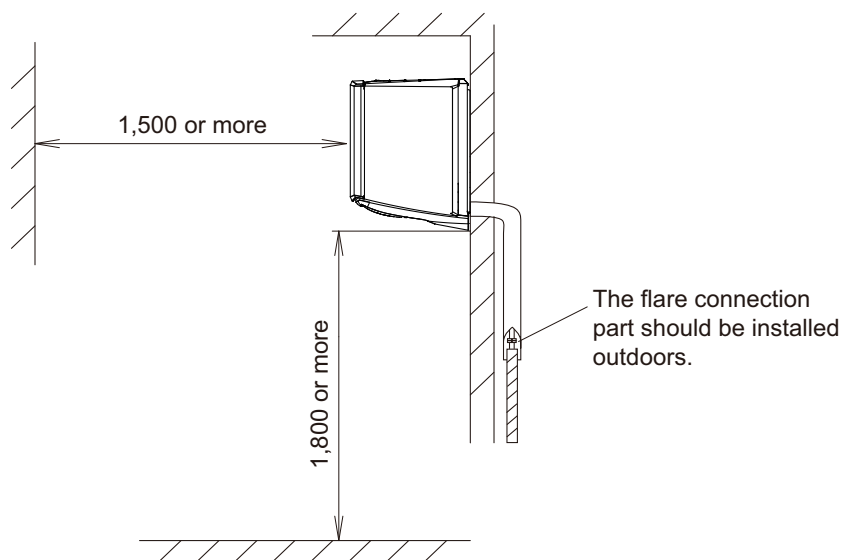
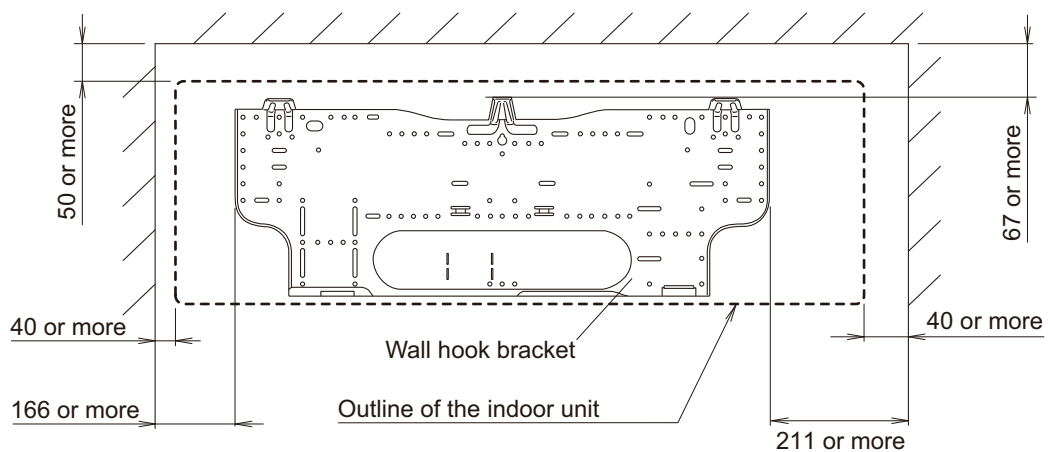
Unit: mm



● Installation space requirement

Provide sufficient installation space for product safety.

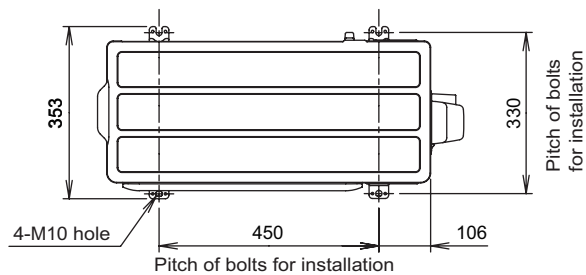
Unit: mm



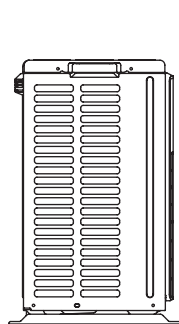
2-2. Outdoor unit

■ Models: AOYG07KETA, AOYG09KETA, and AOYG12KETA

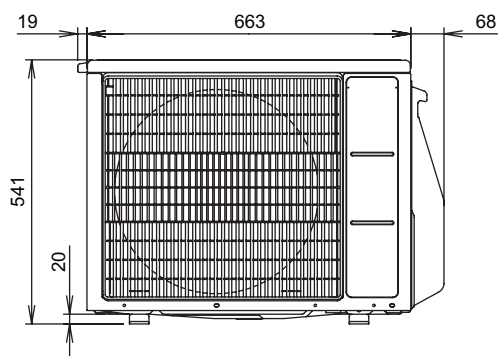
Unit: mm



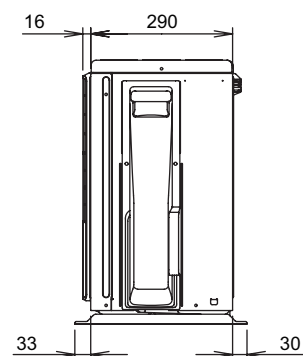
Top view



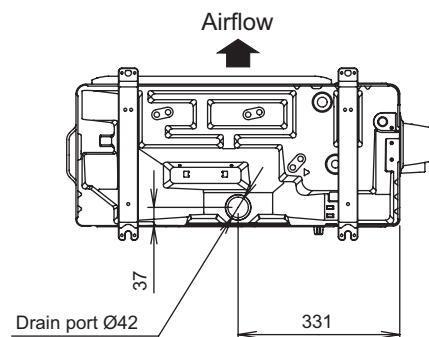
Side view



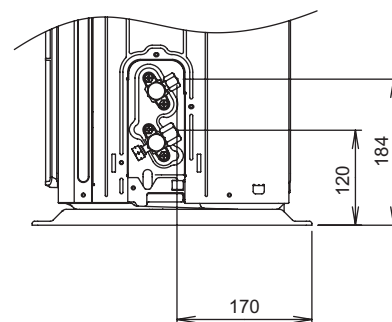
Front view



Side view



Bottom view



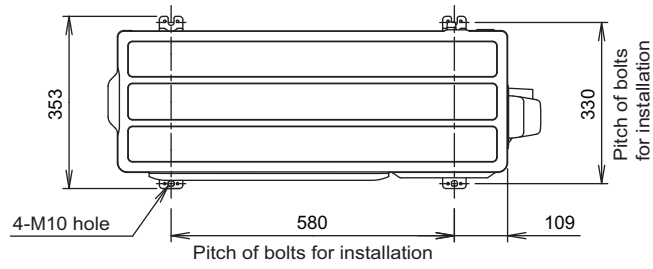
Side view (Valve part)

■ Model: AOYG14KETA

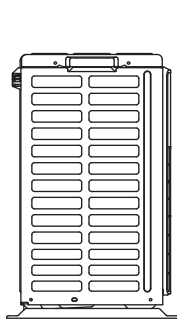
Unit: mm

GENERAL INFORMATION

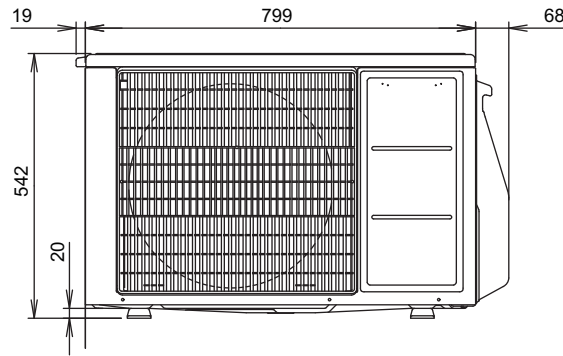
GENERAL INFORMATION



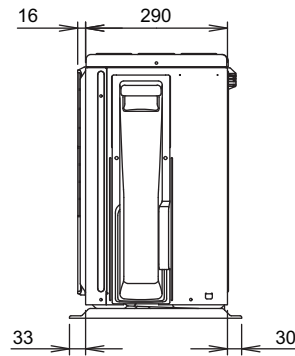
Top view



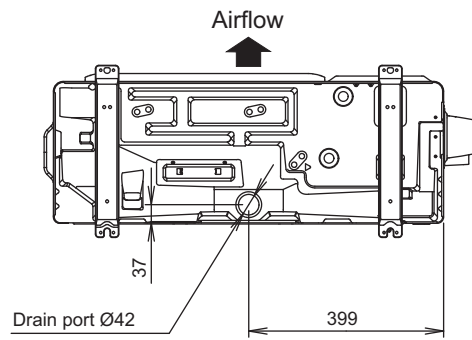
Side view



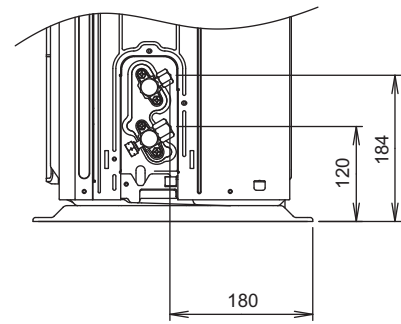
Front view



Side view



Bottom view



Side view (Valve part)

2. TECHNICAL DATA AND PARTS LIST

CONTENTS

2. TECHNICAL DATA AND PARTS LIST

1. Precautions	02-1
2. Indoor unit parts list	02-2
2-1. Models: ASYG07KETA, ASYG07KETA-B, ASYG09KETA, ASYG09KETA-B, ASYG12KETA, ASYG12KETA-B, ASYG14KETA, and ASYG14KETA-B	02-2
3. Outdoor unit parts list	02-6
3-1. Models: AOYG07KETA, AOYG09KETA, and AOYG12KETA	02-6
3-2. Model: AOYG14KETA	02-10
4. Accessories	02-14
4-1. Indoor unit	02-14
4-2. Outdoor unit.....	02-14
5. Optional parts	02-15
5-1. Indoor unit	02-15
6. Refrigerant system diagrams	02-17
6-1. Models: AOYG07KETA, AOYG09KETA, and AOYG12KETA	02-17
6-2. Model: AOYG14KETA	02-18
7. Wiring diagrams	02-19
7-1. Indoor unit	02-19
7-2. Outdoor unit.....	02-20
8. PC board diagrams	02-21
8-1. Models: ASYG07KETA, ASYG07KETA-B, ASYG09KETA, ASYG09KETA-B, ASYG12KETA, ASYG12KETA-B, ASYG14KETA, and ASYG14KETA-B	02-21
8-2. Models: AOYG07KETA, AOYG09KETA, AOYG12KETA, and AOYG14KETA	02-22

1. Precautions

When you start servicing, pay attention to the following points. For detailed precautions, refer to the installation manual of the products.

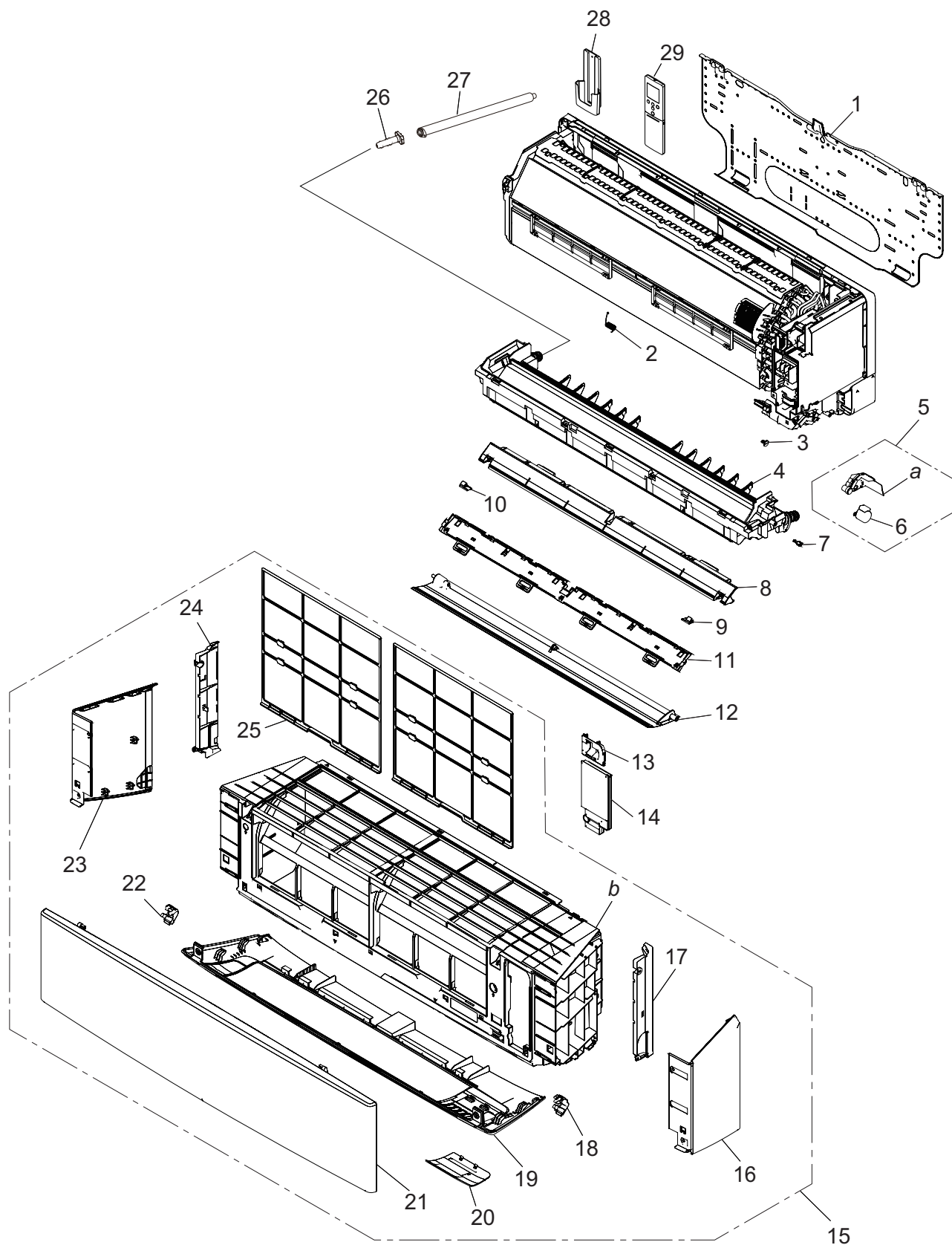
⚠ CAUTION

-
- Service personnel
 - Any person who is involved with working on or breaking into a refrigerant circuit should hold a current valid certificate from an industry-accredited assessment authority, which authorizes their competence to handle refrigerants safely in accordance with an industry recognized assessment specification.
 - Servicing shall only be performed as recommended by the equipment manufacturer. Maintenance and repair requiring the assistance of other skilled personnel shall be carried out under the supervision of the person competent in the use of flammable refrigerants.
 - Servicing shall be performed only as recommended by the manufacturer.
 - Work
 - Prior to beginning work on systems containing flammable refrigerants, safety checks are necessary to ensure that the risk of ignition is minimized. When repairing the refrigerant system, refer to the precautions written in the installation manual of the products before you start servicing.
 - Work shall be undertaken under a controlled procedure so as to minimize the risk of a flammable gas or vapor being present while the work is being performed.
 - All maintenance staff and others working in the local area shall be instructed on the nature of work being carried out.
 - Work in confined spaces shall be avoided.
 - The area around the workspace shall be sectioned off.
 - Ensure that the conditions within the area have been made safe by control of flammable material.
 - Electric shock may occur. After turning off the power, always wait 5 minutes before touching electrical components.
 - Do not touch the fins of the heat exchanger. Touching the heat exchanger fins could result in damage to the fins or personal injury such as skin rupture.
 - Do not place any other electrical products or household belongings under the product.
 - Condensation dripping from the product might get them wet, and may cause damage or malfunction to the property.
 - Checking for presence of refrigerant
 - The area shall be checked with an appropriate refrigerant detector prior to and during work, to ensure the technician is aware of potentially flammable atmospheres.
 - Ensure that the leak detection equipment being used is suitable for use with flammable refrigerants, i.e. non-sparking, adequately sealed or intrinsically safe.
-
- Service parts information and design are subject to change without notice for product improvement.
 - For the latest information of the service parts, refer to our Service Portal.
<https://fujitsu-general.force.com/portal/>
 - Precise figure of the service parts listed in this manual may differ from the actual service parts.

2. Indoor unit parts list

2-1. Models: ASYG07KETA, ASYG07KETA-B, ASYG09KETA, ASYG09KETA-B, ASYG12KETA, ASYG12KETA-B, ASYG14KETA, and ASYG14KETA-B

■ Exterior parts

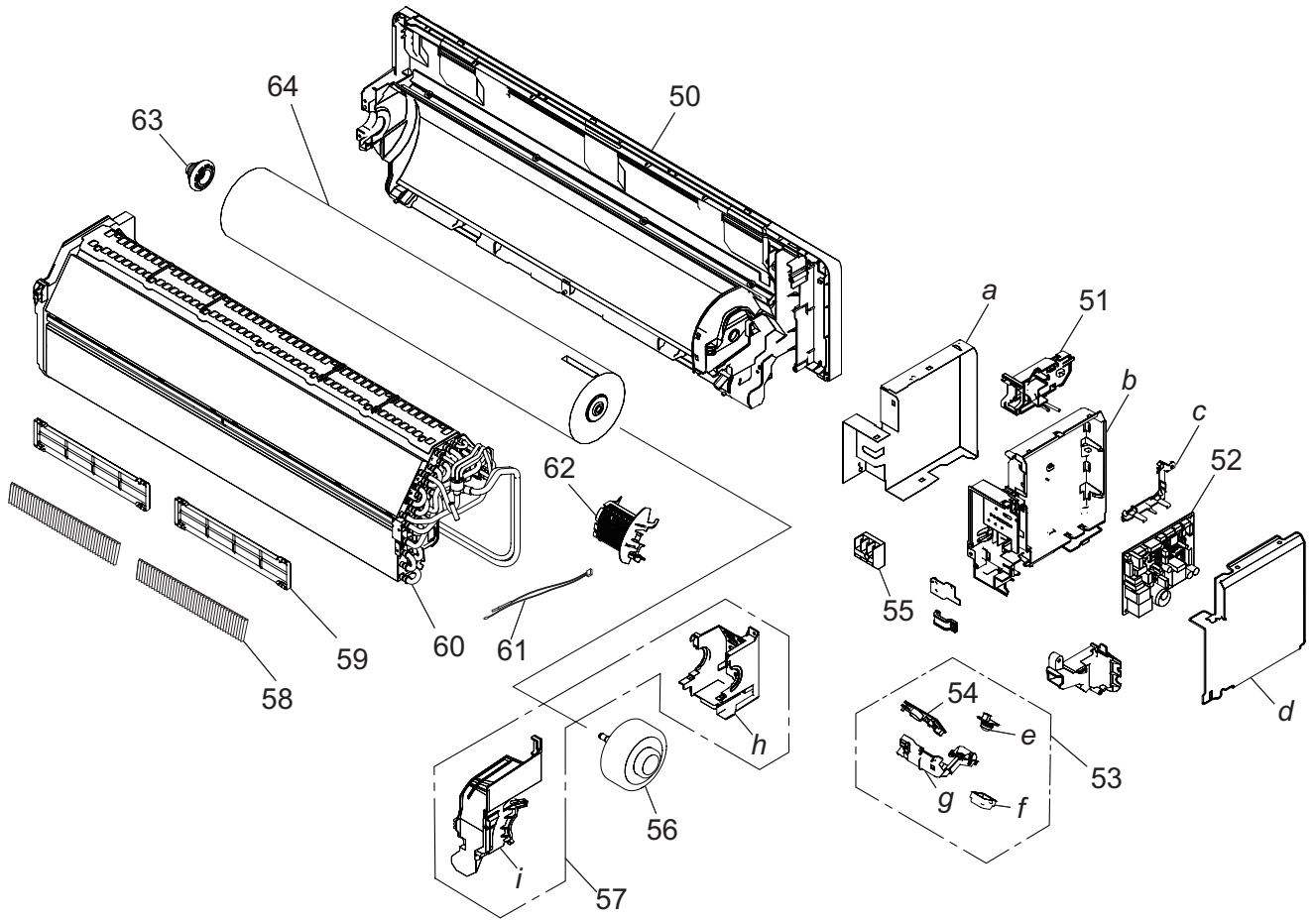


Item no.	Part no.	Part name	Service part
1	9387480023	Bracket panel	◆
2	9387471007	Louver spring	◆
3	9333608006	Bush	◆
4	9387590166	Drain pan total assy	◆
5	9387714036	Step motor holder assy	◆
6	9901011047	Step motor	◆
7	9332861006	Shaft cover (for 07-14KETA model)	◆
	9332861013	Shaft cover (for 07-14KETA-B model)	◆
8	9333766072	Blow panel assy (for 07-14KETA model)	◆
	9333766089	Blow panel assy (for 07-14KETA-B model)	◆
9	9384066008	Screw cap R (for 07-14KETA model)	◆
	9384066015	Screw cap R (for 07-14KETA-B model)	◆
10	9384065001	Screw cap L (for 07-14KETA model)	◆
	9384065018	Screw cap L (for 07-14KETA-B model)	◆
11	9387711028	Spacer H assy	◆
12	9387479003	U/D louver assy (for 07-14KETA model)	◆
	9387479034	U/D louver assy (for 07-14KETA-B model)	◆
13	9383613036	Wire cover B (for 07-14KETA model)	◆
	9383613043	Wire cover B (for 07-14KETA-B model)	◆
14	9387597066	Wire cover assy (for 07-14KETA model)	◆
	9387597110	Wire cover assy (for 07-14KETA-B model)	◆
15	9387596304	Front panel total assy (for 07-14KETA model)	◆
	9387596311	Front panel total assy (for 07-14KETA-B model)	◆
16	9384059000	Decoration panel R (for 07-14KETA model)	◆
	9384059017	Decoration panel R (for 07-14KETA-B model)	◆
17	9384062000	Side panel R (for 07-14KETA model)	◆
	9384062017	Side panel R (for 07-14KETA-B model)	◆
18	9333704005	Grille clamper R	◆
19	9384140067	Under cover assy (for 07-14KETA model)	◆
	9384140098	Under cover assy (for 07-14KETA-B model)	◆
20	9384067005	Display plate (for 07-14KETA model)	◆
	9384067012	Display plate (for 07-14KETA-B model)	◆
21	9387756159	Intake grille assy (for 07-14KETA model)	◆
	9387756166	Intake grille assy (for 07-14KETA-B model)	◆
22	9333719009	Grille clamper L	◆
23	9384058003	Decoration panel L (for 07-14KETA model)	◆
	9384058010	Decoration panel L (for 07-14KETA-B model)	◆
24	9384061003	Side panel L (for 07-14KETA model)	◆
	9384061010	Side panel L (for 07-14KETA-B model)	◆
25	9387473018	Air filter	◆
26	9316177017	Drain cap	◆
27	9316904002	Drain hose assy	◆
28	9318912005	Remote controller holder	◆
29	9332438734	Remote controller	◆
a	—	Step motor holder	—
b	—	Front panel	—

■ Base, evaporator, and control

TECHNICAL DATA
AND PARTS LIST

TECHNICAL DATA
AND PARTS LIST

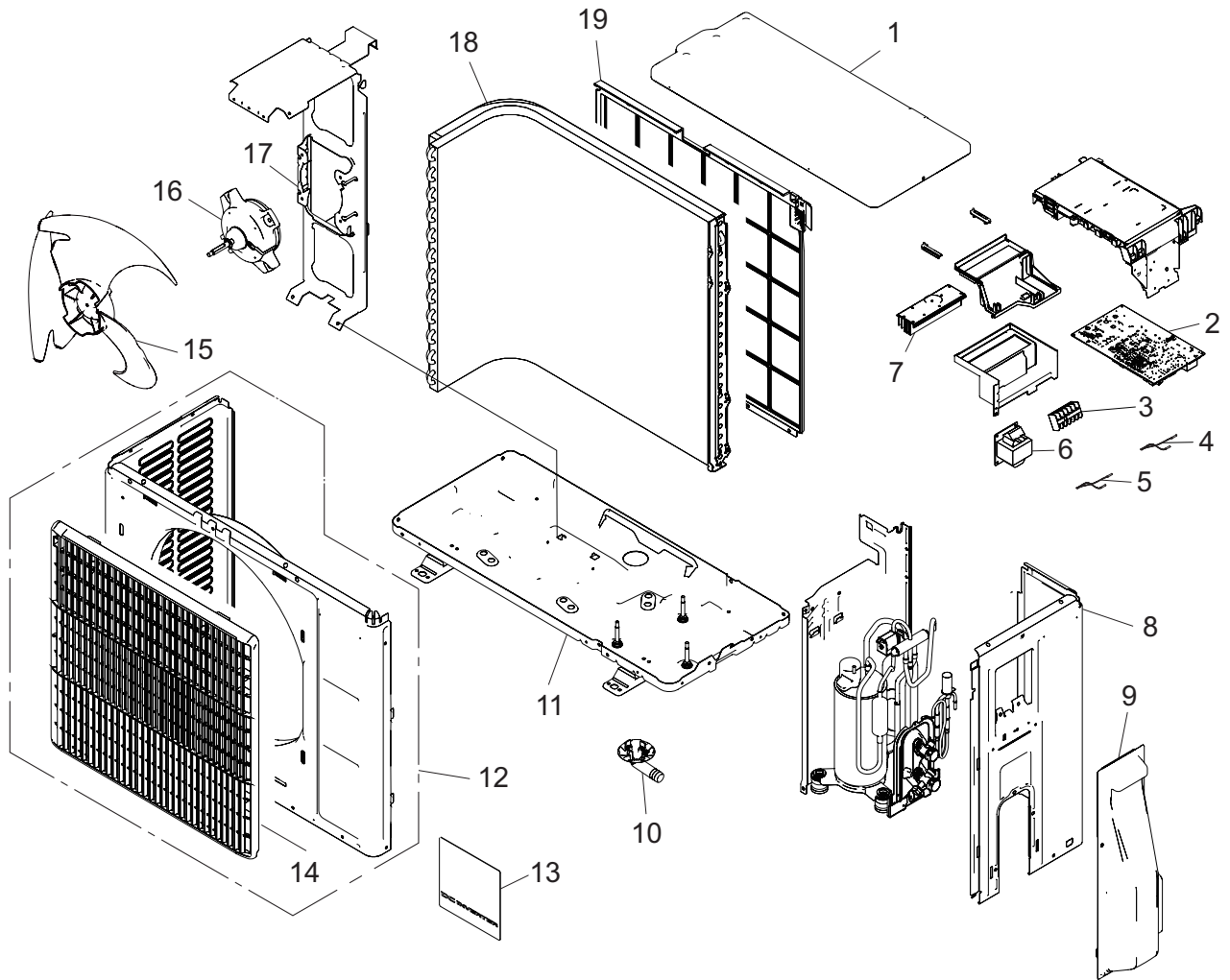


Item no.	Part no.	Part name	Service part
50	9387587098	Base assy (for 07-14KETA model)	◆
	9387587104	Base assy (for 07-14KETA-B model)	◆
51	9383765032	WLAN adapter holder assy	◆
52	9711141590	Main PCB (for 07 model)	◆
	9711141606	Main PCB (for 09 model)	◆
	9711141613	Main PCB (for 12 model)	◆
	9711141620	Main PCB (for 14 model)	◆
53	9711382009	Display assy	◆
54	9711358004	Display PCB	◆
55	9900369057	Terminal	◆
56	9603768003	Brushless motor (for 07-12 model)	◆
	9603631017	Brushless motor (for 14 model)	◆
57	9387589061	Motor case assy	◆
58	9317250009	Air clean filter assy	◆
59	9332911008	Electric filter holder	◆
60	9387593143	Evaporator total assy (for 07-12 model)	◆
	9387593150	Evaporator total assy (for 14 model)	◆
61	9900627041	Thermistor assy	◆
62	9387467000	Room thermistor holder	◆
63	9333628004	Bearing D assy	◆
64	9387055047	Crossflow fan assy	◆
a	—	Box shield	—
b	—	Control box	—
c	—	PCB holder A	—
d	—	Motion sensor	—
e	—	Front panel cover B assy	—
f	—	Display case assy	—
g	—	Control cover	—
h	—	Motor case	—
i	—	Motor cover	—

3. Outdoor unit parts list

3-1. Models: AOYG07KETA, AOYG09KETA, and AOYG12KETA

■ Exterior parts and chassis



TECHNICAL DATA
AND PARTS LIST

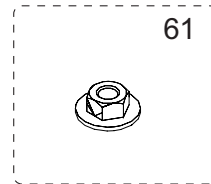
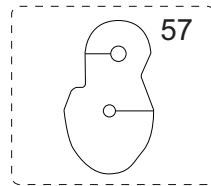
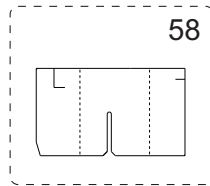
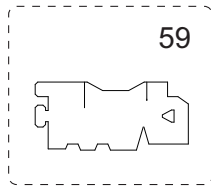
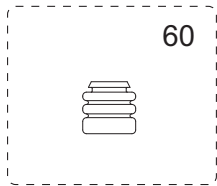
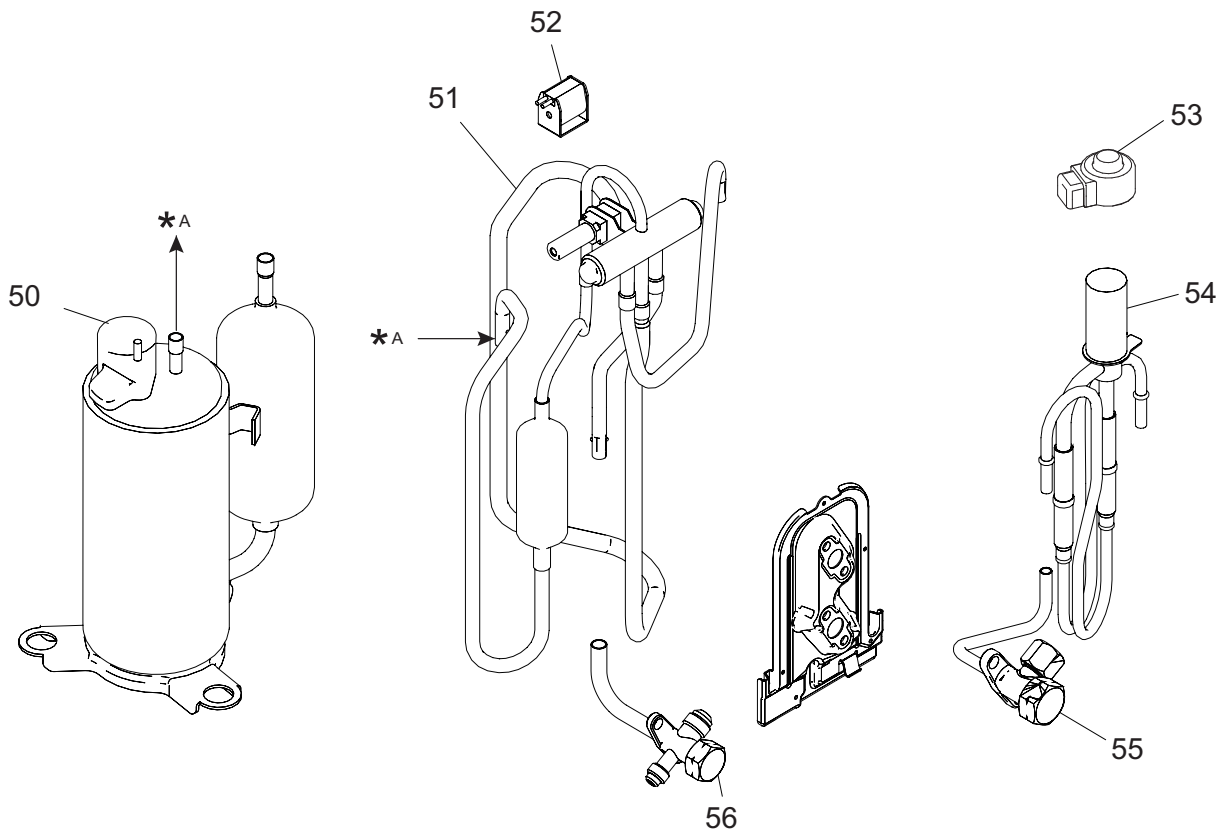
TECHNICAL DATA
AND PARTS LIST

Item no.	Part no.	Part name	Service part
1	9322556103	Top panel assy	◆
2	9709687581	Main PCB (for 07 model) (Service unit)	◆
	9709687598	Main PCB (for 09 model) (Service unit)	◆
	9709687604	Main PCB (for 12 model) (Service unit)	◆
3	9900435028	Terminal	◆
4	9900727062	Thermistor assy	◆
5	9900565053	Thermistor (Outdoor temp.)	◆
6	9900583019	Reactor assy	◆
7	9322418005	Heat sink	◆
8	9322552112	Cabinet right assy	◆
9	9322570000	Switch cover assy	◆
10	9322144003	Drain pipe	◆
11	9323501003	Base assy	◆
12	9322555106	Front panel assy	◆
13	9387859003	Emblem	◆
14	9322135001	Blow grille	◆
15	9322136008	Propeller fan	◆
16	9603553005	Brushless motor	◆
17	9322553089	Motor bracket assy (for 07-09 model)	◆
	9322553096	Motor bracket assy (for 12 model)	◆
18	9322272010	Condenser total assy (for 07-09 model)	◆
	9322273000	Condenser total assy (for 12 model)	◆
19	9322811004	Protective net assy	◆

Compressor

TECHNICAL DATA
AND PARTS LIST

TECHNICAL DATA
AND PARTS LIST



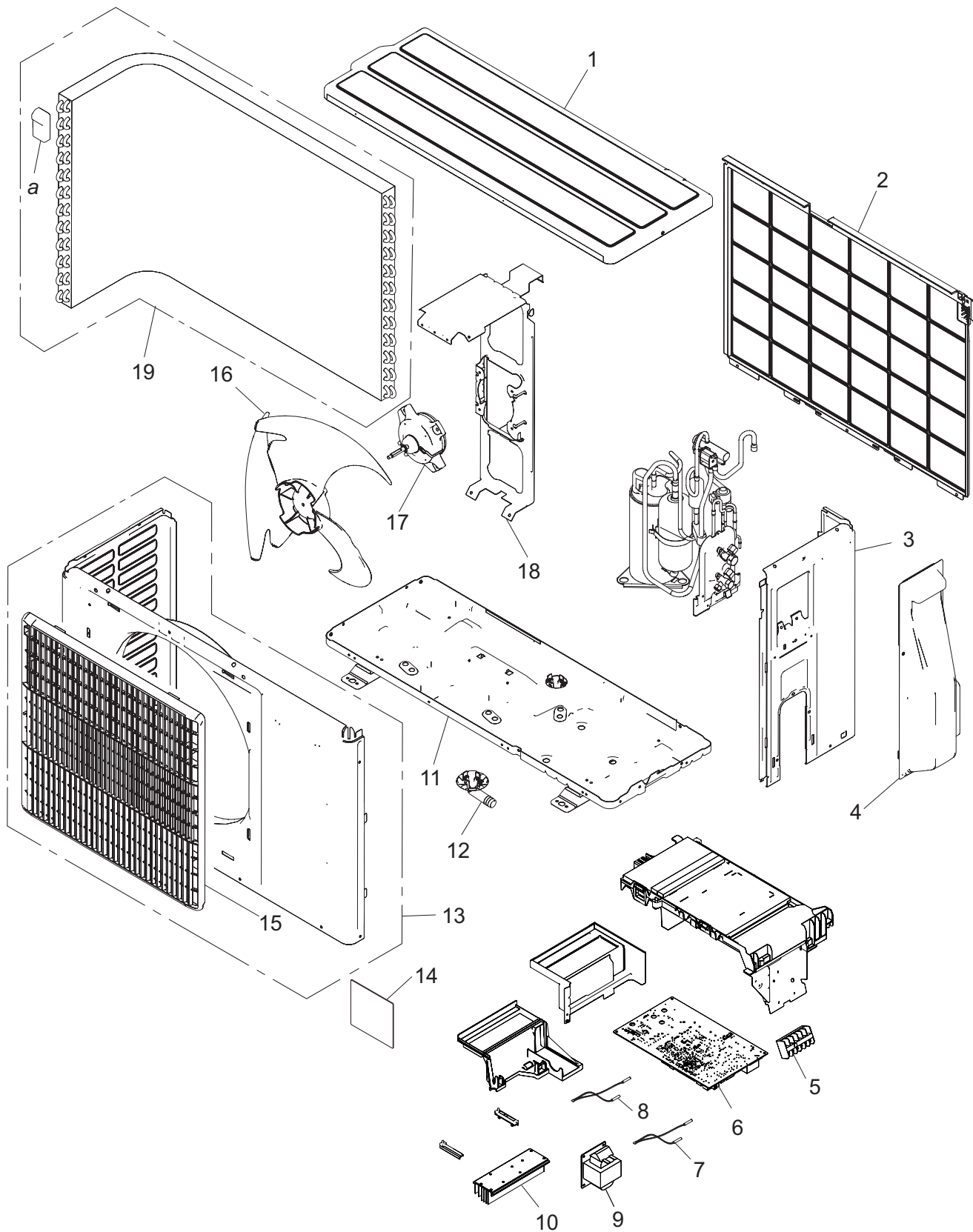
Item no.	Part no.	Part name	Service part
50	9322423009	Compressor assy (for 07-09 model)	◆
	9322425003	Compressor assy (for 12 model)	◆
51	9322392008	4-way valve assy	◆
52	9970110153	Solenoid	◆
53	9970095153	Expansion valve coil	◆
54	9322403018	Pulse motor valve	◆
55	9322474025	2-way valve assy	◆
56	9318254051	3-way valve assy	◆
57	9322389008	S-insulator H	◆
58	9322388001	S-insulator F	◆
59	9322387004	S-insulator B	◆
60	9322386007	Cushion rubber	◆
61	9313437008	Special nut	◆

3-2. Model: AOYG14KETA

■ Exterior parts and Chassis

TECHNICAL DATA
AND PARTS LIST

TECHNICAL DATA
AND PARTS LIST

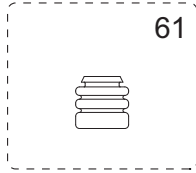
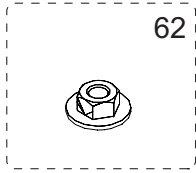
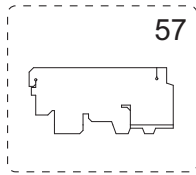
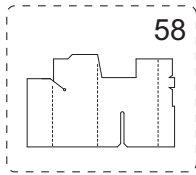
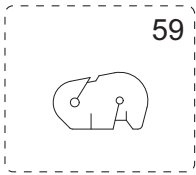
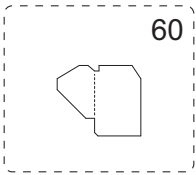
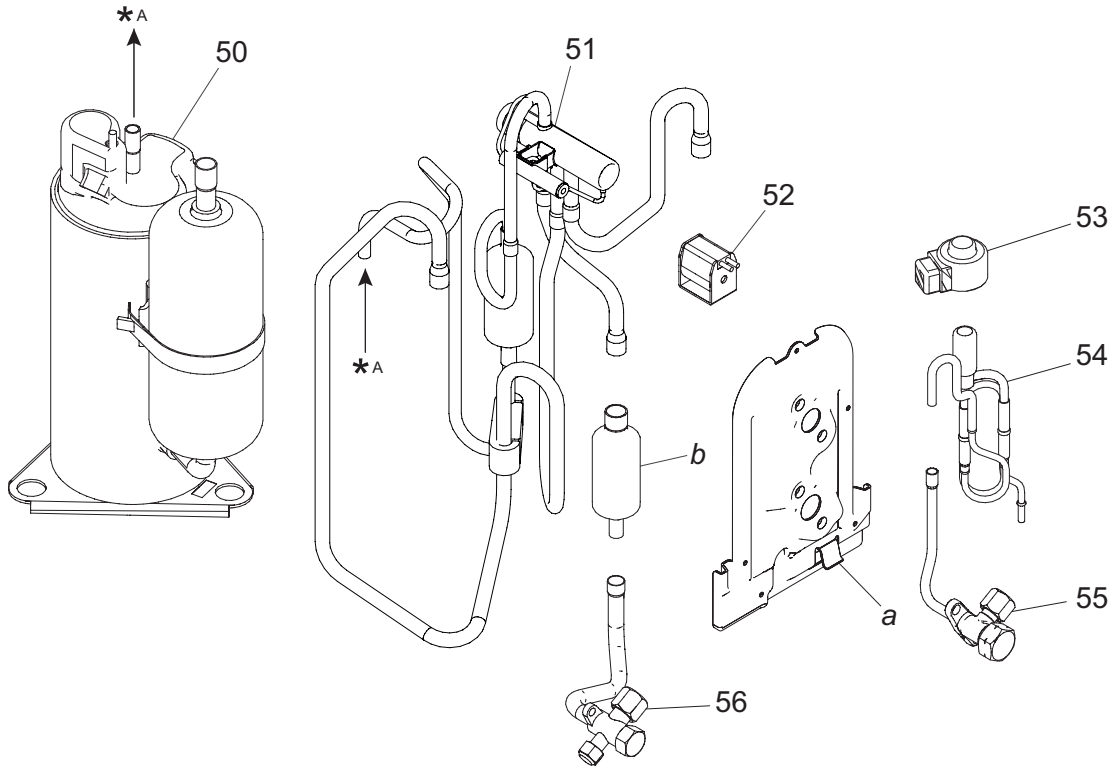


Item no.	Part no.	Part name	Service part
1	9322556028	Top panel assy	◆
2	9322811011	Protective net assy	◆
3	9322552020	Cabinet right assy	◆
4	9322570000	Switch cover assy	◆
5	9900435028	Terminal	◆
6	9709687611	Main PCB (Service unit)	◆
7	9900727062	Thermistor assy	◆
8	9900565060	Thermistor (Outdoor temp.)	◆
9	9900583019	Reactor assy	◆
10	9322418005	Heat sink	◆
11	9322314024	Base assy	◆
12	9322144003	Drain pipe	◆
13	9322555014	Front panel assy	◆
14	9319151007	Emblem	◆
15	9322135001	Blow grille	◆
16	9322136008	Propeller fan	◆
17	9603553005	Brushless motor	◆
18	9322553010	Motor bracket assy	◆
19	9323834019	Heat exchanger unit	◆
a	—	Hair pin cushion	—

Compressor

TECHNICAL DATA
AND PARTS LIST

TECHNICAL DATA
AND PARTS LIST


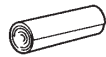




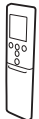
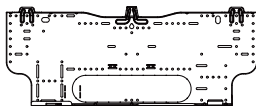
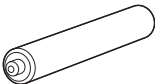


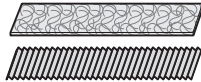
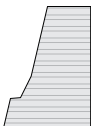


Item no.	Part no.	Part name	Service part
50	9322427007	Compressor assy	◆
51	9322444011	4-way valve assy	◆
52	9970110160	Solenoid	◆
53	9970095122	Expansion valve coil	◆
54	9322463005	Pulse motor valve assy	◆
55	9322474001	2-way valve assy	◆
56	9322475008	3-way valve assy	◆
57	9322535009	S-insulator B	◆
58	9322536006	S-insulator F	◆
59	9322537003	S-insulator H	◆
60	9323045002	S-insulator V	◆
61	9322386007	Cushion rubber	◆
62	9313437008	Special nut	◆
a	—	Valve bracket	—
b	—	Muffler	—

4. Accessories


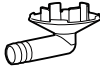
4-1. Indoor unit

- **Models: ASYG07KETA, ASYG07KETA-B, ASYG09KETA, ASYG09KETA-B, ASYG12KETA, ASYG12KETA-B, ASYG14KETA, and ASYG14KETA-B**

Part name	Exterior	Q'ty	Part name	Exterior	Q'ty
Operating manual		1	Cloth tape		1
Operating manual (CD-ROM)		1	Tapping screw (large)		5
Installation manual		1	Tapping screw (small)		2
Remote controller		1	Wall hook bracket		1
Battery		2	Filter holder		2
Remote controller holder		1	Air cleaning filters		1
Template (for pipe cover cutting)		1			

4-2. Outdoor unit

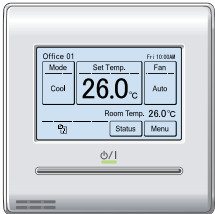
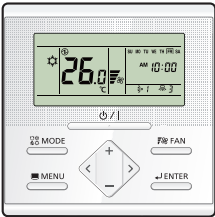
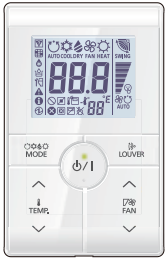

- **Models: AOYG07KETA, AOYG09KETA, AOYG12KETA, and AOYG14KETA**

Part name	Exterior	Q'ty	Part name	Exterior	Q'ty
Installation manual		1	Drain pipe		1

5. Optional parts



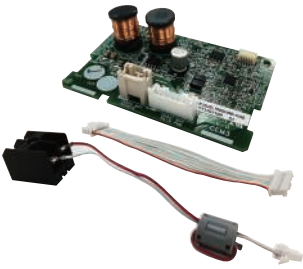

5-1. Indoor unit

■ Controllers

Exterior	Part name	Model name	Summary
	Wired remote controller	UTY-RNRYZ*	Easy finger touch operation with LCD panel. Backlit LCD enables easy operation in a dark room. Wire type: Non-polar 2-wire Optional communication kit is necessary for installation.
	Wired remote controller	UTY-RLRY	High visibility and easy operation. Room temperature can be accurately controlled using the built-in thermo sensor. Wire type: Non-polar 2-wire Optional communication kit is necessary for installation.
	Simple remote controller	UTY-RSRY	Compact remote controller concentrates on the basic functions such as Start/Stop, fan control, temperature setting, and operation mode. Wire type: Non-polar 2-wire Optional communication kit is necessary for installation.
	Simple remote controller	UTY-RHRY	Compact remote controller concentrates on the basic functions such as Start/Stop, fan control, and temperature setting. Wire type: Non-polar 2-wire Optional communication kit is necessary for installation.

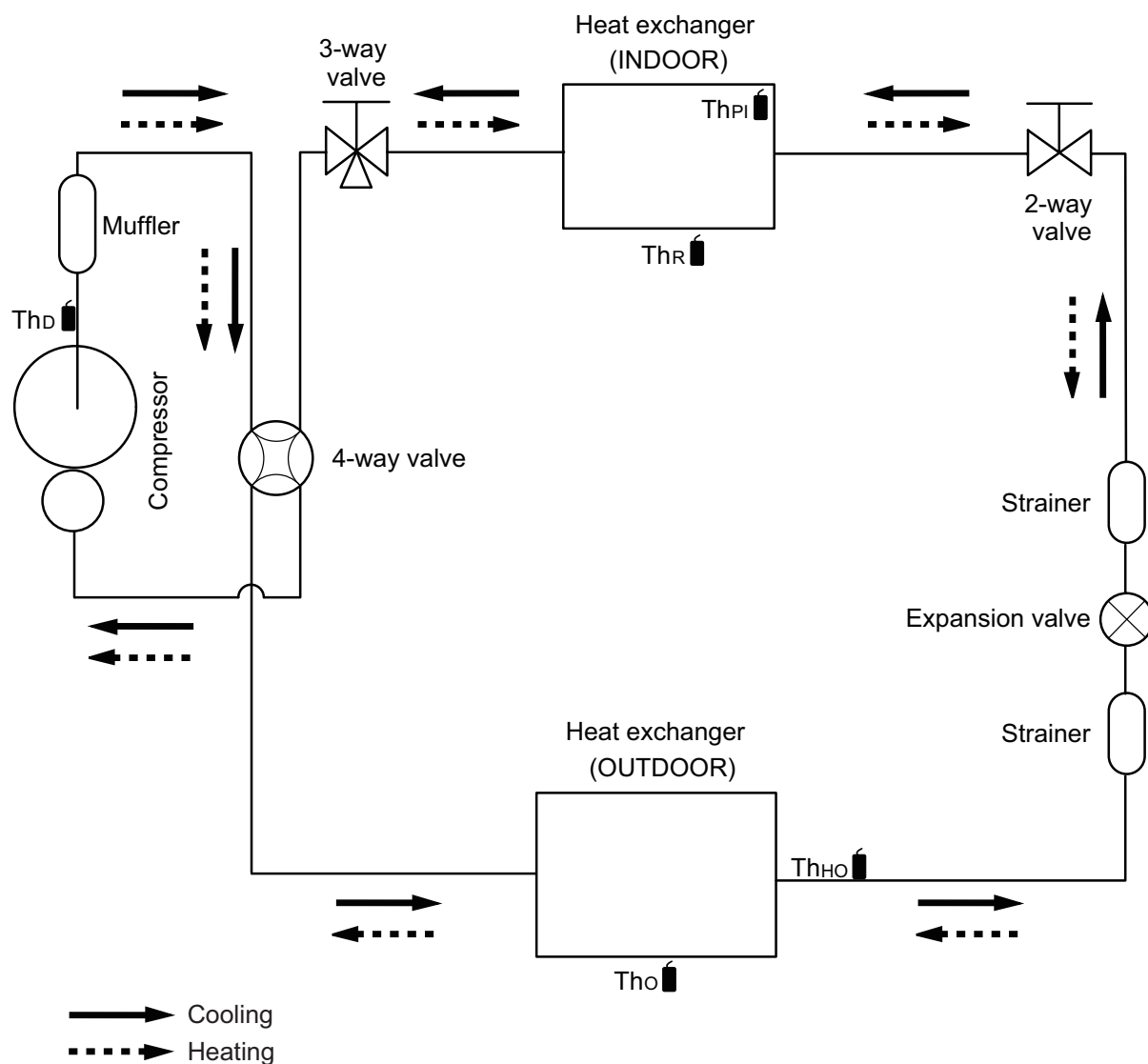
NOTE: Available functions may differ by the remote controller. For details, refer to the operation manual.

Others

Exterior	Part name	Model name	Summary
	External connect kit	UTY-XWZXZ5	Required when external device is connected.
	External input and output PCB	UTY-XCSXZ2	Use to connect with external devices and air conditioner PCB. Optional External connect kit is necessary for installation.
	Communication kit	UTY-TWRXZ2	Use to connect Non-polar 2-core wired remote controller.
	Wireless LAN adapter	UTY-TFSXF2	Remotely manage an air conditioning system using mobile devices such as smartphones and tablets. Appropriate application for each region is required to use this option. For details, contact FGL sales company.

6. Refrigerant system diagrams

6-1. Models: AOYG07KETA, AOYG09KETA, and AOYG12KETA

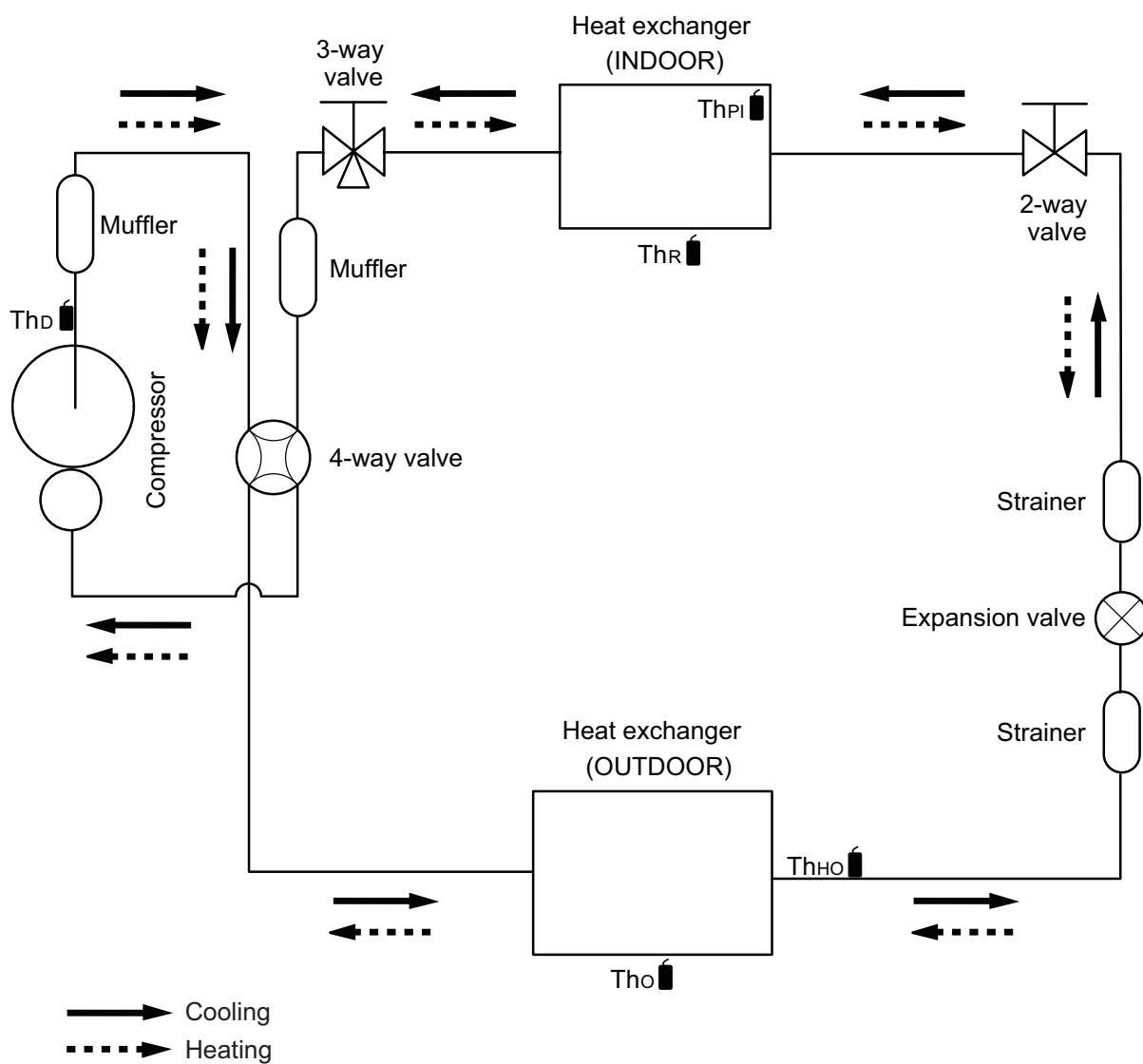


- ThD** : Thermistor (Discharge temperature)
Tho : Thermistor (Outdoor temperature)
ThHo : Thermistor (Heat exchanger out temperature)
ThPi : Thermistor (Pipe temperature)
ThR : Thermistor (Room temperature)

6-2. Model: AOYG14KETA

TECHNICAL DATA
AND PARTS LIST

TECHNICAL DATA
AND PARTS LIST



- Th_D : Thermistor (Discharge temperature)
- Th_O : Thermistor (Outdoor temperature)
- Th_{HO} : Thermistor (Heat exchanger out temperature)
- Th_{PI} : Thermistor (Pipe temperature)
- Th_R : Thermistor (Room temperature)

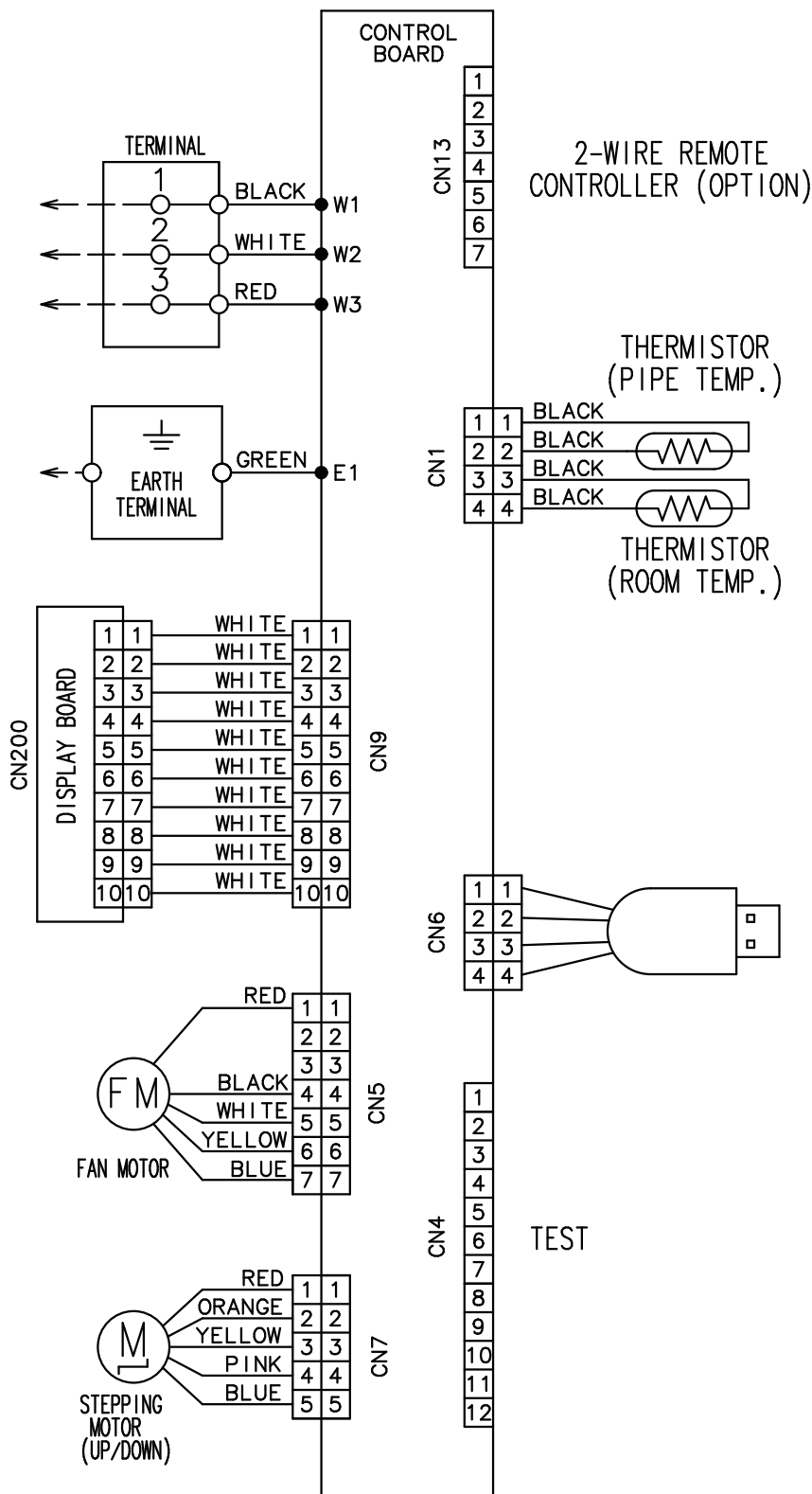
7. Wiring diagrams

7-1. Indoor unit

- Models: ASYG07KETA, ASYG07KETA-B, ASYG09KETA, ASYG09KETA-B, ASYG12KETA, ASYG12KETA-B, ASYG14KETA, and ASYG14KETA-B

TECHNICAL DATA AND PARTS LIST

TECHNICAL DATA AND PARTS LIST

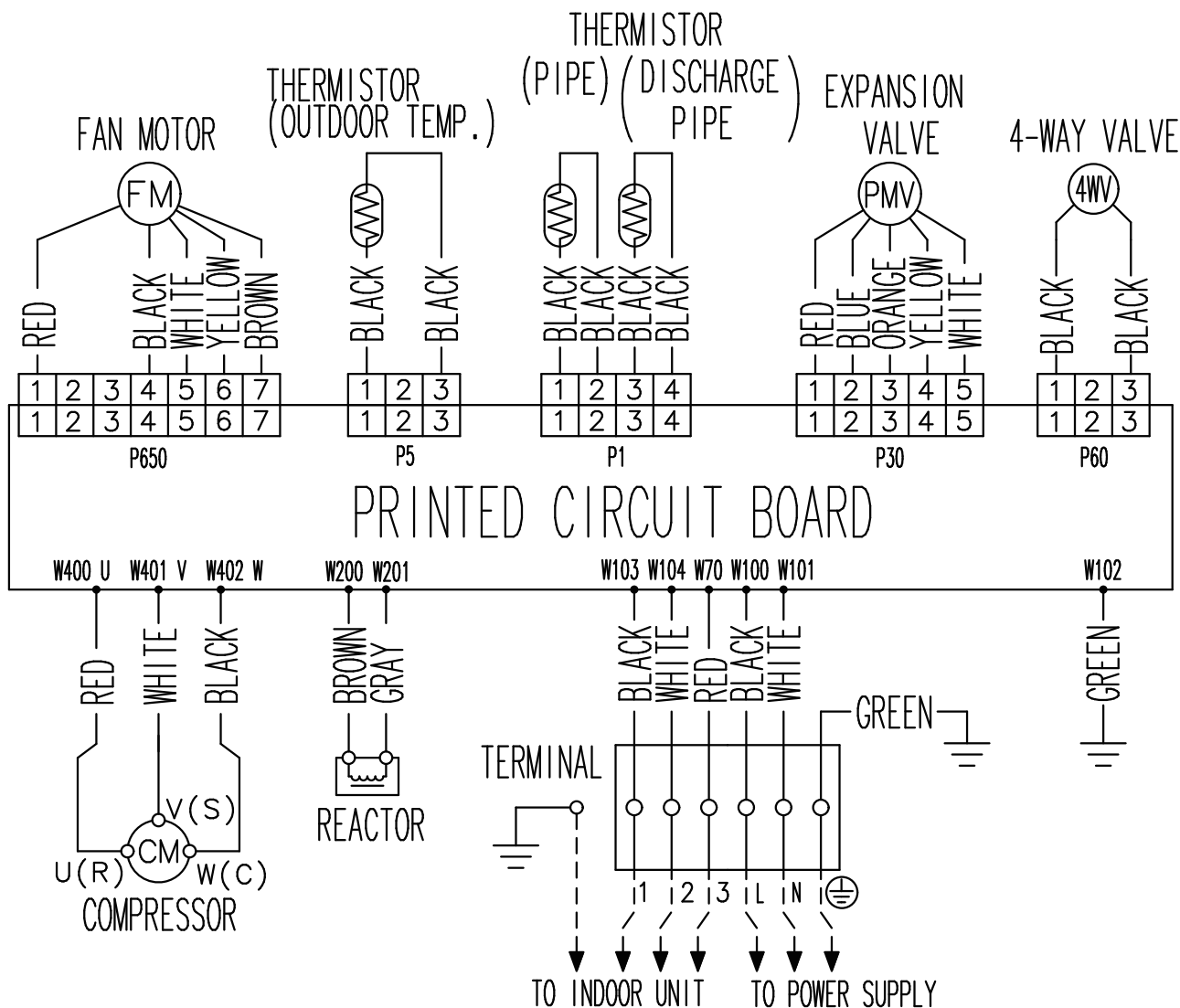


7-2. Outdoor unit

Models: AOYG07KETA, AOYG09KETA, AOYG12KETA, and AOYG14KETA

TECHNICAL DATA
AND PARTS LIST

TECHNICAL DATA
AND PARTS LIST

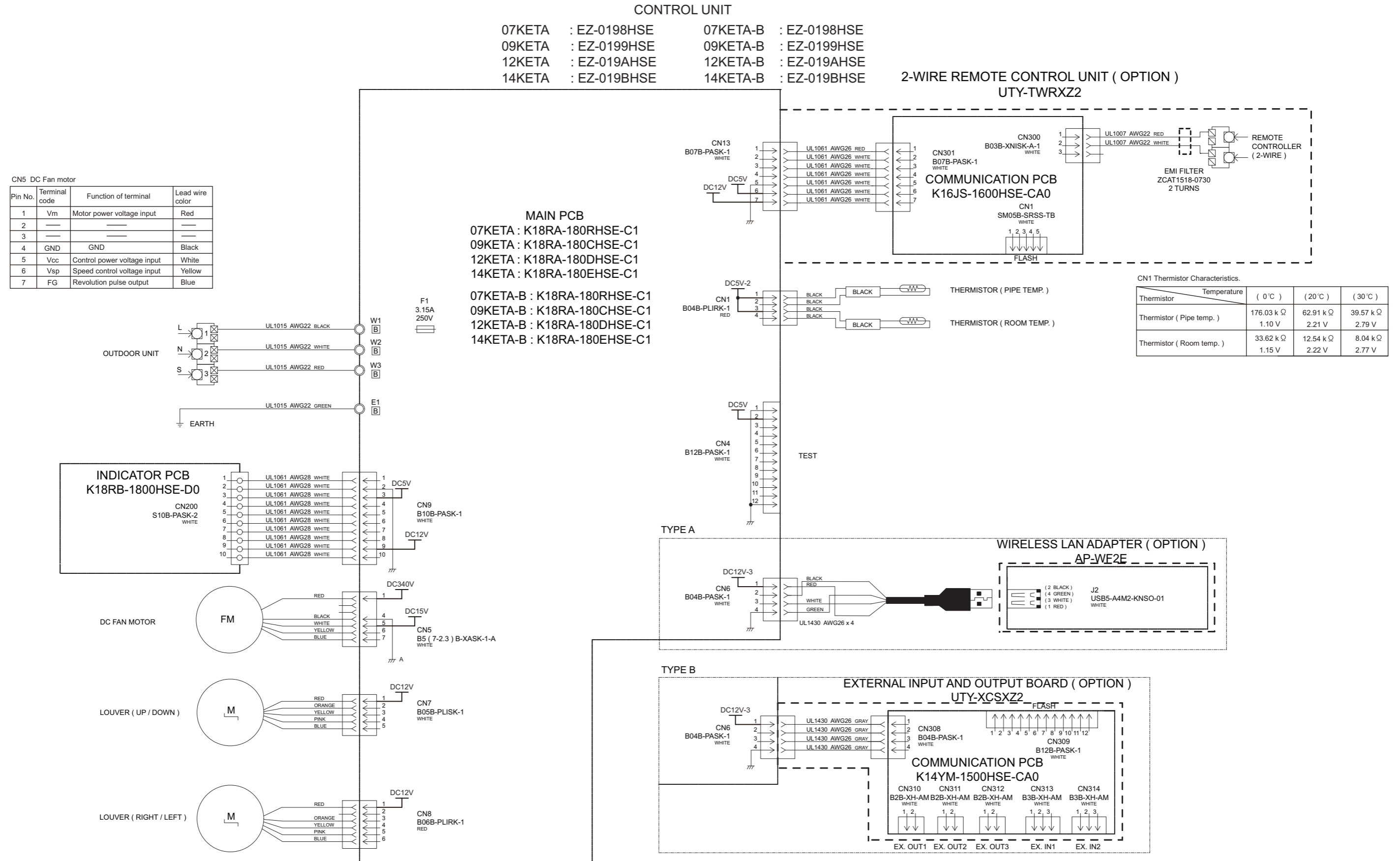


8. PC board diagrams

8-1. Models: ASYG07KETA, ASYG07KETA-B, ASYG09KETA, ASYG09KETA-B, ASYG12KETA, ASYG12KETA-B, ASYG14KETA, and ASYG14KETA-B

TECHNICAL DATA AND PARTS LIST

TECHNICAL DATA AND PARTS LIST

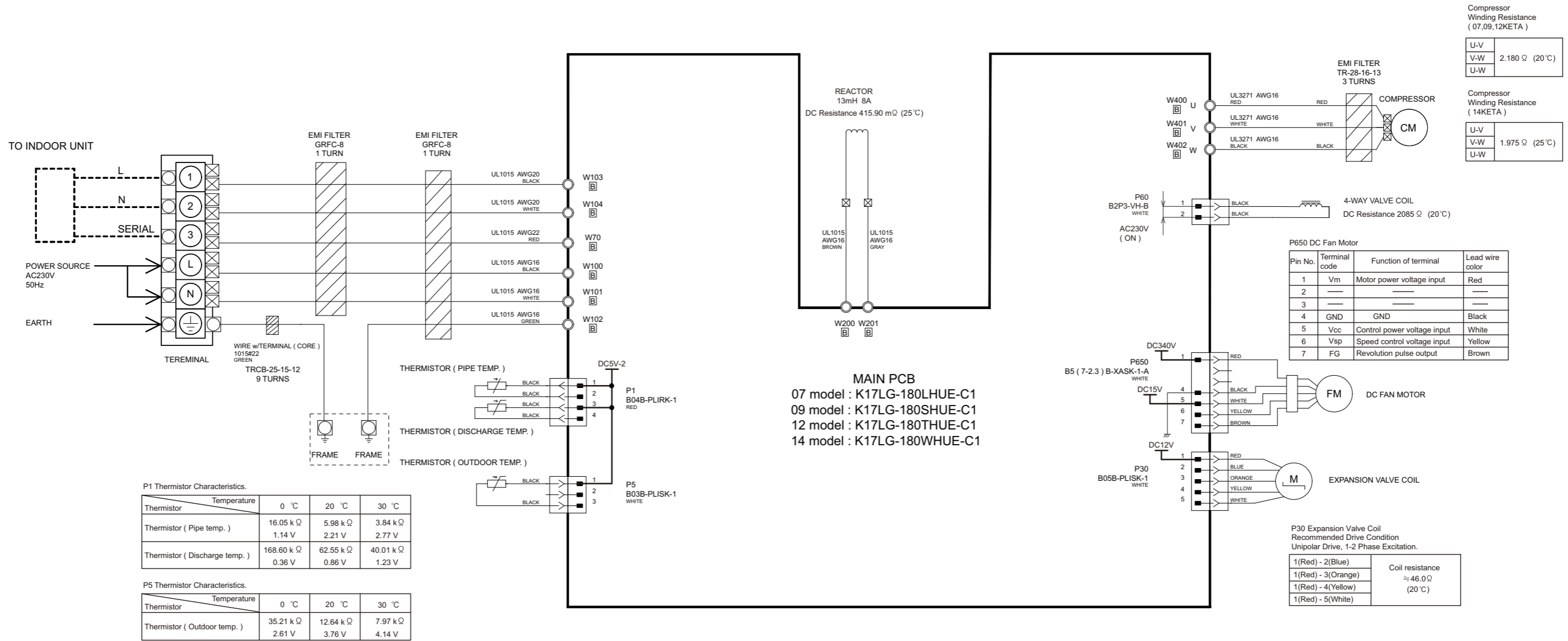


8-2. Models: AOYG07KETA, AOYG09KETA, AOYG12KETA, and AOYG14KETA

INVERTER ASSEMBLY
 07 model : EZ-01830HUE
 09 model : EZ-01831HUE
 12 model : EZ-01832HUE
 14 model : EZ-01833HUE

TECHNICAL DATA
AND PARTS LIST

TECHNICAL DATA
AND PARTS LIST



3. TROUBLESHOOTING

CONTENTS

3. TROUBLESHOOTING

1. Error code	03-1
1-1. How to check the error memory.....	03-1
1-2. How to erase the error memory	03-1
1-3. Error code table (Indoor unit and wired remote controller).....	03-2
2. Troubleshooting with error code	03-3
2-1. E: 11. Serial communication error (Serial reverse transfer error) (Outdoor unit).....	03-3
2-2. E: 11. Serial communication error (Serial forward transfer error) (Indoor unit)	03-5
2-3. E: 12. Wired remote controller communication error (Indoor unit)	03-7
2-4. E: 18. External communication error (Indoor unit)	03-8
2-5. E: 22. Indoor unit capacity error (Indoor unit)	03-9
2-6. E: 23. Combination error (Outdoor unit).....	03-10
2-7. E: 32. Indoor unit main PCB error (Indoor unit)	03-11
2-8. E: 35. MANUAL AUTO button error (Indoor unit).....	03-12
2-9. E: 41. Room temperature sensor error (Indoor unit).....	03-13
2-10. E: 42. Indoor unit heat exchanger sensor error (Indoor unit)	03-14
2-11. E: 51. Indoor unit fan motor error (Indoor unit)	03-15
2-12. E: 62. Outdoor unit main PCB error (Outdoor unit).....	03-16
2-13. E: 64. PFC circuit error (Outdoor unit)	03-17
2-14. E: 65. IPM error (Outdoor unit)	03-18
2-15. E: 71. Discharge thermistor error (Outdoor unit).....	03-20
2-16. E: 73. Outdoor unit heat exchanger liquid outlet thermistor error (Outdoor unit).....	03-21
2-17. E: 74. Outdoor temperature thermistor error (Outdoor unit).....	03-22
2-18. E: 84. Current sensor error (Outdoor unit)	03-23
2-19. E: 94. Over current error (Outdoor unit).....	03-24
2-20. E: 95. Compressor motor control error (Outdoor unit)	03-25
2-21. E: 97. Outdoor unit fan motor error (Outdoor unit).....	03-26
2-22. E: 99. 4-way valve error (Outdoor unit).....	03-27
2-23. E: A1. Discharge temperature error (Outdoor unit).....	03-29
3. Troubleshooting without error code	03-31
3-1. Indoor unit—No power.....	03-31
3-2. Outdoor unit—No power	03-32
3-3. No operation (Power is on).....	03-33
3-4. No cooling/No heating	03-34
3-5. Abnormal noise.....	03-36
3-6. Water leaking.....	03-37
4. Service parts information	03-38
4-1. Compressor.....	03-38
4-2. Inverter compressor.....	03-39
4-3. Outdoor unit Electronic Expansion Valve (EEV)	03-41
4-4. Indoor unit fan motor	03-43
4-5. Outdoor unit fan motor.....	03-44

CONTENTS (continued)

4-6. Reactor assy.....	03-45
4-7. 4-way valve coil (solenoid coil)/4-way valve	03-46
5. Thermistor resistance values.....	03-47
5-1. Indoor unit	03-47
5-2. Outdoor unit.....	03-48

1. Error code

When a problem occurs in the system or the connected device, the error content is notified by displaying the code.

NOTE: This function is only available in a system with indoor or IR receiver units equipped with LED lamps to indicate the error content.

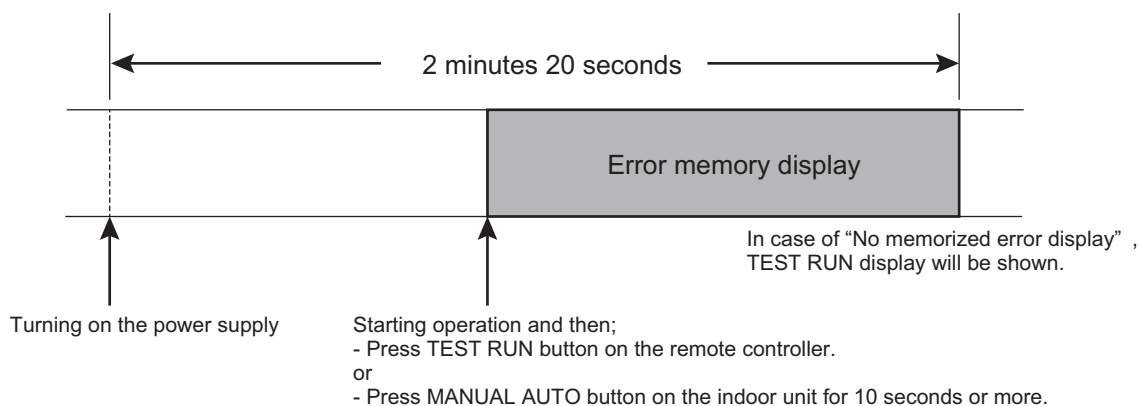
Errors, once displayed, will be automatically stored in the PC board of the indoor unit. Even if the power is disconnected, the memory containing the error history will not be erased.

If another error occurs later, the stored error memory will be updated automatically and replaced with the new one. (Previous error will be erased.)

1-1. How to check the error memory

When an error occurs, the operation lamp (Green) and the timer lamp (Orange) indicate the error content by blinking. To check the error memory, follow the procedures below.

1. Stop the operation of the air conditioner, and then disconnect the power supply.
2. Reconnect the power supply.
3. In one of the following two methods, the memorized error is only displayed during the “3 minutes ST”^{*} state period.
 - Start the operation and then press the TEST RUN button on the remote controller.
 - Press the MANUAL AUTO button on the indoor unit for 10 seconds or more.



*: The “3 minutes ST” period lasts 2 minutes and 20 seconds after turning on the power supply.

1-2. How to erase the error memory

The error memory can be erased in one of the following two methods.

- Manual erase: Pressing the MANUAL AUTO button on the indoor unit while the “Error memory display” is being shown. (Short beep emits for about 3 seconds.)
- Automatic erase: After continuing the normal operation of the air conditioner without error for 2 hours or longer after displaying the error memory as described in [How to check the error memory](#). (Except FAN operation mode.)

1-3. Error code table (Indoor unit and wired remote controller)

The operation, timer, and economy indicators operate according to the error contents.

For confirmation of the error contents, refer the flashing pattern as follows.

Error contents	Indoor unit display			Wired remote controller display
	Operation [I] (Green)	Timer [⌚] (Orange)	Economy [E] (Green)	
E: 11. Serial communication error (Serial reverse transfer error) (Outdoor unit)	1 times	1 times	Continuous	11
E: 11. Serial communication error (Serial forward transfer error) (Indoor unit)	1 times	1 times	Continuous	11
E: 12. Wired remote controller communication error (Indoor unit)	1 times	2 times	Continuous	12
E: 18. External communication error (Indoor unit)	1 times	8 times	Continuous	18
E: 22. Indoor unit capacity error (Indoor unit)	2 times	2 times	Continuous	22
E: 23. Combination error (Outdoor unit)	2 times	3 times	Continuous	23
E: 32. Indoor unit main PCB error (Indoor unit)	3 times	2 times	Continuous	32
E: 35. MANUAL AUTO button error (Indoor unit)	3 times	5 times	Continuous	35
E: 41. Room temperature sensor error (Indoor unit)	4 times	1 times	Continuous	41
E: 42. Indoor unit heat exchanger sensor error (Indoor unit)	4 times	2 times	Continuous	42
E: 51. Indoor unit fan motor error (Indoor unit)	5 times	1 times	Continuous	51
E: 62. Outdoor unit main PCB error (Outdoor unit)	6 times	2 times	Continuous	62
E: 64. PFC circuit error (Outdoor unit)	6 times	4 times	Continuous	64
E: 65. IPM error (Outdoor unit)	6 times	5 times	Continuous	65
E: 71. Discharge thermistor error (Outdoor unit)	7 times	1 times	Continuous	71
E: 73. Outdoor unit heat exchanger liquid outlet thermistor error (Outdoor unit)	7 times	3 times	Continuous	73
E: 74. Outdoor temperature thermistor error (Outdoor unit)	7 times	4 times	Continuous	74
E: 84. Current sensor error (Outdoor unit)	8 times	4 times	Continuous	84
E: 94. Over current error (Outdoor unit)	9 times	4 times	Continuous	94
E: 95. Compressor motor control error (Outdoor unit)	9 times	5 times	Continuous	95
E: 97. Outdoor unit fan motor error (Outdoor unit)	9 times	7 times	Continuous	97
E: 99. 4-way valve error (Outdoor unit)	9 times	9 times	Continuous	99
E: A1. Discharge temperature error (Outdoor unit)	10 times	1 times	Continuous	A1

2. Troubleshooting with error code

2-1. E: 11. Serial communication error (Serial reverse transfer error) (Outdoor unit)

Indicator	Indoor unit	Operation indicator	1 time flash
		Timer indicator	1 time flash
		Economy indicator	Continuous flash
		Error code	E: 11
Detective actuator	Outdoor unit	Main PCB	When the indoor unit cannot receive the serial signal from outdoor unit more than 2 minutes after power on, or the indoor unit cannot receive the serial signal more than 15 seconds during normal operation.
		Fan motor	
Forecast of cause		Connection failure	
		External cause	
		Main PCB failure	
		Outdoor unit fan motor failure	

Check point 1. Reset the power and operate

Does error indication show again?

→ If no, go to "Check point 1-2".



Check point 2. Check connection

Check any loose or removed connection line of indoor unit and outdoor unit.

Check connection condition is control unit. (If there is loose connector, open cable or mis-wiring.)

→ If there is an abnormal condition, correct it by referring to the installation manual or the "DESIGN & TECHNICAL MANUAL".



Check point 3. Check the voltage of power supply

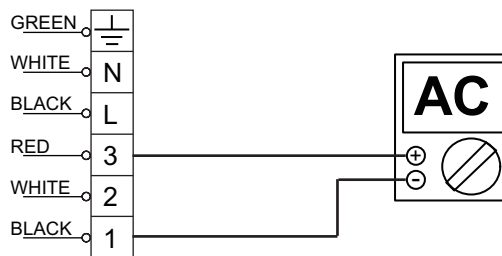
Check the voltage of power supply

Check if AC 207 V (AC 230 V -10%) to AC 253 V (AC 230 V +10%) appears at outdoor unit terminal L - N.



Check point 4. Check serial signal (Reverse transfer signal)

Check serial signal (Reverse transfer signal)



- Check if indicated value swings between AC 90 V and AC 270 V at the outdoor unit terminal 1—3.
- If it is abnormal, check the parts below.
 - Outdoor unit fan motor in "[Service parts information](#)" on page 03-38
- If outdoor fan motor is abnormal, replace outdoor unit fan motor and main PCB.
- If the checked parts are normal, replace the main PCB.



End

Check point 1-2. Check external cause such as noise

- Check the complete insulation of the grounding.
- Check if there is any equipment that causes harmonic wave near the power cable (Neon light bulb or any electronic equipment which causes harmonic wave).



End

2-2. E: 11. Serial communication error (Serial forward transfer error) (Indoor unit)

Indicator	Indoor unit	Operation indicator	1 time flash
		Timer indicator	1 time flash
		Economy indicator	Continuous flash
		Error code	E: 11
Detective actuator	Indoor unit	Main PCB	When the outdoor unit cannot receive the serial signal from indoor unit more than 10 seconds.
		Fan motor	
	Outdoor unit	Main PCB	
Forecast of cause			Connection failure
			External cause
			Main PCB failure
			Indoor unit fan motor failure
			Outdoor unit Main PCB

Check point 1. Reset the power and operate

Does error indication show again?

→ If no, go to "Check point 1-2".



Check point 2. Check connection

Check any loose or removed connection line of indoor unit and outdoor unit.

Check connection condition is control unit. (If there is loose connector, open cable or mis-wiring.)

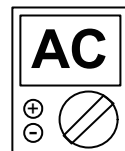
→ If there is an abnormal condition, correct it by referring to the installation manual or the "DESIGN & TECHNICAL MANUAL".



Check point 3. Check the voltage of power supply

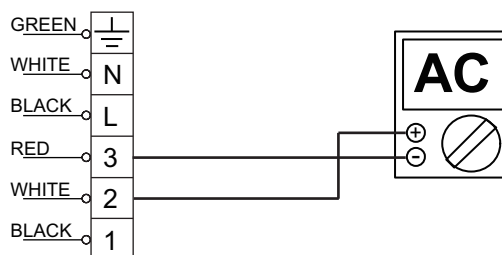
Check the voltage of power supply

Check if AC 207 V (AC 230 V -10%) to AC 253 V (AC 230 V +10%) appears at outdoor unit terminal L - N.



Check point 4. Check serial signal (Forward transfer signal)

Check serial signal (Forward transfer signal)



- Check if indicated value swings between AC 30 V and AC 130 V at outdoor unit terminal 2—3.
- If it is abnormal, replace main PCB.
- If it is abnormal, check indoor unit fan motor. (Indoor unit fan motor in "[Service parts information](#)" on page 03-38)
- If indoor unit fan motor is abnormal, replace indoor unit fan motor and main PCB.
- If it is abnormal, replace outdoor unit main PCB.



End

Check point 1-2. Check external cause such as noise

- Check the complete insulation of the grounding.
- Check if there is any equipment that causes harmonic wave near the power cable (Neon light bulb or any electronic equipment which causes harmonic wave).



End

2-3. E: 12. Wired remote controller communication error (Indoor unit)

Indicator	Indoor unit	Operation indicator	1 time flash
		Timer indicator	2 time flash
		Economy indicator	Continuous flash
		Error code	E: 12
Detective actuator	Indoor unit	Main PCB	When the indoor unit cannot receive the signal from Wired remote controller more than 1 minute during normal operation.
	Wired remote control		
Forecast of cause			Terminal connection abnormal
			Wired remote control failure
			Main PCB failure

Check point 1. Check the connection of terminal

After turning off the power, check & correct the followings.

- Check the connection of terminal between remote controller and indoor unit, and check if there is a disconnection of the cable.



Check point 2. Check connection

Check voltage at CNC01 of main PCB (terminal 1—3) of UTY-TWBXF (Communication kit). (Power supply to the remote controller)

Upon correcting the removed connector or mis-wiring, reset the power.



- If it is DC 12 V, remote controller is failure. (Main PCB is normal)
 - Replace Remote Control
- If it is DC 0 V, main PCB is failure. (Check remote controller once again)
 - Replace main PCB



End

2-4. E: 18. External communication error (Indoor unit)

Indicator	Indoor unit	Operation indicator	1 time flash
		Timer indicator	8 time flash
		Economy indicator	Continuous flash
		Error code	E: 18
Detective actuator	Indoor unit	External communication error	After receiving a signal from the external input and output PCB, the same signal has not been received for 15 seconds.
Forecast of cause			Connection failure
			External input and output PCB failure
			Main PCB

Check point 1. Check the connection

- Check any loose or removed connection between the main PCB to the external input and output PCB.
-> If there is an abnormal condition, correct it by refer to the installation manual or the "DESIGN & TECHNICAL MANUAL".
- Check the connection condition on the external input and output PCB and the main PCB (If there is loose connector, open cable or mis-wiring.)



Check point 2. Replace the external input and output PCB

If check point 1 do not improve the symptom, change external input and output PCB.



Check point 3. Replace main PCB

If check point 2 do not improve the symptom, change main PCB



End

2-5. E: 22. Indoor unit capacity error (Indoor unit)

Indicator	Indoor unit	Operation indicator	2 time flash
		Timer indicator	2 time flash
		Economy indicator	Continuous flash
		Error code	E: 22
Detective actuator	Indoor unit main PCB	When the total capacity of the indoor units does not match outdoor unit capacity while 3 minutes after power on.	
Forecast of cause		Indoor unit selection is incorrect.	
		Main PCB failure	

Check point 1. Check the total capacity of indoor units

Check the total capacity of the indoor units.

→ If abnormal condition is found, correct it referring to the installation manual or DESIGN & TECHNICAL MANUAL.



Check point 2. Replace main PCB

If check point 1 does not improve the symptom, change main PCB.



End

2-6. E: 23. Combination error (Outdoor unit)

Indicator	Indoor unit	Operation indicator	2 time flash
		Timer indicator	3 time flash
		Economy indicator	Continuous flash
		Error code	E: 23
Detective actuator	Indoor unit	The outdoor unit receives the serial signal of applied refrigerant information from indoor unit.	
Forecast of cause		Incorrect indoor unit is selected.	

Check point 1. Check the type of indoor unit

- Check the type of the connected indoor unit.
-> If there is an abnormal condition, correct it by refer to the installation manual or the "DESIGN & TECHNICAL MANAL".



Check point 2. Replace main PCB

If check point 1 do not improve the symptom, replace main PCB of the outdoor unit.



End

2-7. E: 32. Indoor unit main PCB error (Indoor unit)

Indicator	Indoor unit	Operation indicator	3 time flash
		Timer indicator	2 time flash
		Economy indicator	Continuous flash
		Error code	E: 32
Detective actuator	Indoor unit	main PCB	When power is on and there is some below case. 1. When model information of EEPROM is incorrect. 2. When the access to EEPROM failed.
Forecast of cause			External cause
			Defective connection of electric components
			Main PCB failure

Check point 1. Reset power supply and operate

Does error indication show again?

→ If no, go to "Check point 1-2".



Check point 2. Check Indoor unit electric components

- Check all connectors. (loose connector or incorrect wiring)
- Check any shortage or corrosion on PCB.



Check point 3. Replace main PCB

Change main PCB.



End

Check point 1-2. Check external cause such as noise

- Check if the ground connection is proper.
- Check if there is any equipment that causes harmonic wave near the power cable (Neon light bulb or any electronic equipment which causes harmonic wave).



End

NOTE: EEPROM

EEPROM (Electrically Erasable and Programmable Read Only Memory) is a non-volatile memory which keeps memorized information even if the power is turned off. It can change the contents electronically. To change the contents, it uses higher voltage than normal, and it cannot change a partial contents. (Rewriting shall be done upon erasing the all contents.) There is a limit in a number of rewriting.

2-8. E: 35. MANUAL AUTO button error (Indoor unit)

Indicator	Indoor unit	Operation indicator	3 time flash
		Timer indicator	5 time flash
		Economy indicator	Continuous flash
		Error code	E: 35
Detective actuator	Indoor unit controller PCB	When the MANUAL AUTO button becomes on for consecutive 60 or more seconds.	
	Indicator PCB		
	Manual auto switch		
Forecast of cause		MANUAL AUTO button failure	
		Controller PCB and indicator PCB failure	

Check point 1. Check the MANUAL AUTO button

- Check if MANUAL AUTO button is kept pressed.
- Check On/Off switching operation by using a meter.



If MANUAL AUTO button is disabled (on/off switching), replace it.



Check point 2. Replace main PCB and indicator PCB

If Check Point 1 does not improve the symptom, change main PCB and indicator PCB.



End

2-9. E: 41. Room temperature sensor error (Indoor unit)

Indicator	Indoor unit	Operation indicator	4 time flash
		Timer indicator	1 time flash
		Economy indicator	Continuous flash
		Error code	E: 41
Detective actuator	Indoor unit main PCB	Room temperature thermistor is open or short is detected always.	
	Room temperature thermistor		
Forecast of cause		Connector failure	
		Thermistor failure	
		Main PCB failure	

Check point 1. Check connection of connector

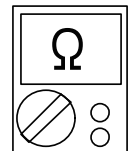
- Check if connector is loose or removed.
- Check erroneous connection.
- Check if thermistor cable is open

-> Reset power when reinstalling due to removed connector or incorrect wiring.



Check point 2. Remove connector and check thermistor resistance value

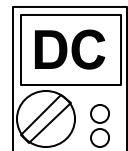
- For the room thermistor resistance value, refer to "[Thermistor resistance values](#)" on page 03-47.
- If thermistor is either open or shorted, replace it and reset the power.



Check point 3. Check voltage of main PCB

Make sure circuit diagram of each indoor unit and check terminal voltage at thermistor (DC 5.0 V).

NOTE: For details of thermistor connector, refer to "[Wiring diagrams](#)" in Chapter 2. TECHNICAL DATA AND PARTS LIST on page 02-19.



If the voltage does not appear, replace main PCB.



End

2-10. E: 42. Indoor unit heat exchanger sensor error (Indoor unit)

Indicator	Indoor unit	Operation indicator	4 time flash
		Timer indicator	2 time flash
		Economy indicator	Continuous flash
		Error code	E: 42
Detective actuator	Indoor unit main PCB	When heat exchanger temperature thermistor open or short circuit is detected.	
	Heat exchanger temperature thermistor		
Forecast of cause			Connector connection failure
			Thermistor failure
			Main PCB failure

Check point 1. Check connection of connector

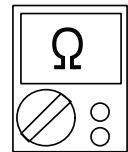
- Check if connector is loose or removed.
- Check erroneous connection.
- Check if thermistor cable is open

-> Reset power when reinstalling due to removed connector or incorrect wiring.



Check point 2. Remove connector and check thermistor resistance value

- For the heat exchanger thermistor resistance value, refer to "[Thermistor resistance values](#)" on page 03-47.
- If thermistor is either open or shorted, replace it and reset the power.



Check point 3. Check voltage of main PCB

Make sure circuit diagram of each indoor unit and check terminal voltage at thermistor (DC 5.0 V).

NOTE: For details of thermistor connector, refer to "[Wiring diagrams](#)" in Chapter 2. TECHNICAL DATA AND PARTS LIST on page 02-19.



If the voltage does not appear, replace main PCB.



End

2-11. E: 51. Indoor unit fan motor error (Indoor unit)

Indicator	Indoor unit	Operation indicator	5 time flash
		Timer indicator	1 time flash
		Economy indicator	Continuous flash
		Error code	E: 51
Detective actuator	Indoor unit	main PCB	When the actual rotation number of the indoor unit fan motor is below 1/3 of the target rotation number continuously for more than 56 seconds.
		Fan motor	
Forecast of cause		Fan rotation failure	
		Fan motor winding open	
		Motor protection by surrounding temperature rise	
		Control PCB failure	
		Indoor unit fan motor failure	

Check point 1. Check rotation of fan

Rotate the fan by hand when operation is off. (Check if fan is caught, dropped off or locked motor)
→ If fan or bearing is abnormal, replace it.



Check point 2. Check ambient temperature around motor

Check excessively high temperature around the motor. (If there is any surrounding equipment that causes heat)
→ Upon the temperature coming down, restart operation.



Check point 3. Check indoor unit fan motor

Check Indoor unit fan motor. (Refer to indoor unit fan motor in "[Service parts information](#)" on page 03-38.)
→ If Indoor unit fan motor is abnormal, replace Indoor unit fan motor.



Check point 4. Replace main PCB

If Check Point 1 to 3 do not improve the symptom, replace main PCB.



End

2-12. E: 62. Outdoor unit main PCB error (Outdoor unit)

Indicator	Indoor unit	Operation indicator	6 time flash
		Timer indicator	2 time flash
		Economy indicator	Continuous flash
		Error code	E: 62
Detective actuator	Outdoor unit	Main PCB	Access to EEPROM failed due to some cause after outdoor unit started.
Forecast of cause			External cause (Noise, temporary open, voltage drop)
			Main PCB failure

Check point 1. Reset power supply and operate

Does error indication show again?

If no, go to "Check point 1-2".



Check point 2. Replace main PCB

Change main PCB.



End

Check point 1-2. Check external cause

- Check if temporary voltage drop was not generated.
- Check if momentary open was not generated.
- Check if ground is connection correctly or there are no related cables near the power line.



End

2-13. E: 64. PFC circuit error (Outdoor unit)

Indicator	Indoor unit	Operation indicator	6 time flash
		Timer indicator	4 time flash
		Economy indicator	Continuous flash
		Error code	E: 64
Detective actuator	Outdoor unit	Main PCB	<ul style="list-style-type: none"> When inverter input DC voltage is higher than 415V for over 3 seconds, the compressor stops. If the same operation is repeated 5 times, the compressor stops permanently.
Forecast of cause			External cause
			Connector connection failure
			Main PCB failure

Check point 1. Check external cause at indoor and outdoor (Voltage drop or Noise)

- Instant drop: Check if there is a large load electric apparatus in the same circuit.
- Momentary power failure: Check if there is a defective contact or leak current in the power supply circuit.
- Noise: Check if there is any equipment causing harmonic wave near electric line. (Neon bulb or electric equipment that may cause harmonic wave)
Check the complete insulation of grounding.



Check point 2. Check connection of Connector

- Check if connector is removed.
- Check erroneous connection.
- Check if cable is open.

→ Upon correcting the removed connector or mis-wiring, reset the power.



Check point 3. Replace main PCB

If check point 1 to 2 do not improve the symptom, change main PCB.



End

2-14. E: 65. IPM error (Outdoor unit)

Indicator	Indoor unit	Operation indicator	6 time flash
		Timer indicator	5 time flash
		Economy indicator	Continuous flash
		Error code	E: 65
Detective actuator	Outdoor unit	Main PCB	<ol style="list-style-type: none"> 1. When more than normal operating current to IPM in main PCB flows, the compressor stops. 2. After the compressor restarts, if the same operation is repeated within 40 seconds, the compressor stops again. 3. If 1. and 2. repeats 5 times, the compressor stops permanently.
		Compressor	
Forecast of cause		<ul style="list-style-type: none"> Defective connection of electric components Outdoor fan operation failure Outdoor heat exchanger clogged Compressor failure Main PCB failure 	

Check point 1. Check connections of outdoor unit electrical components

- Check if the terminal connection is loose.
- Check if connector is removed.
- Check erroneous connection.
- Check if cable is open.

→ Upon correcting the removed connector or mis-wiring, reset the power.



Check point 2. Check outdoor fan and heat exchanger

- Is there anything obstructing the air distribution circuit?
- Is there any clogging of outdoor heat exchanger?
- Is the fan rotating by hand when operation is off?

→ If the fan motor is locked, replace it.



Check point 3. Check outdoor fan

Check outdoor fan motor. (Refer to "[E: 97. Outdoor unit fan motor error \(Outdoor unit\)](#)" on page 03-26.)

→ If the fan motor is failure, replace it.



Check point 4. Check compressor

Check compressor. (Refer to inverter compressor in "[Service parts information](#)".)



Check point 5. Replace main PCB

If Check point 1 to 4 do not improve the symptom, change main PCB.



End

2-15. E: 71. Discharge thermistor error (Outdoor unit)

Indicator	Indoor unit	Operation indicator	7 time flash
		Timer indicator	1 time flash
		Economy indicator	Continuous flash
		Error code	E: 71
Detective actuator	Outdoor unit main PCB	When discharge pipe temperature thermistor open or short circuit is detected at power on or while running the compressor	
	Discharge pipe temperature thermistor		
Forecast of cause		Connector failure	
		Thermistor failure	
		Main PCB failure	

Check point 1. Check connection of connector

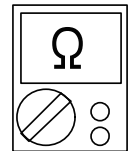
- Check if connector is loose or removed.
- Check erroneous connection.
- Check if thermistor cable is open

→ Reset power when reinstalling due to removed connector or incorrect wiring.



Check point 2. Remove connector and check thermistor resistance value

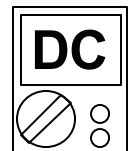
- For the discharge temperature thermistor resistance value, refer to "[Thermistor resistance values](#)" on page 03-47.
- If thermistor is either open or shorted, replace it and reset the power.



Check point 3. Check voltage of main PCB

Make sure circuit diagram of outdoor unit and check terminal voltage at thermistor (DC 5.0 V).

NOTE: For details of thermistor connector, refer to "[Wiring diagrams](#)" in Chapter 2. TECHNICAL DATA AND PARTS LIST on page 02-19.



If the voltage does not appear, replace main PCB.



End

2-16. E: 73. Outdoor unit heat exchanger liquid outlet thermistor error (Outdoor unit)

Indicator	Indoor unit	Operation indicator	7 time flash
		Timer indicator	3 time flash
		Economy indicator	Continuous flash
		Error code	E: 73
Detective actuator	Outdoor unit main PCB	When heat exchanger temperature thermistor open or short circuit is detected at power on or while running the compressor	
	Heat exchanger temperature thermistor		
Forecast of cause			Connector failure
			Thermistor failure
			Main PCB failure

Check point 1. Check connection of connector

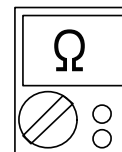
- Check if connector is loose or removed.
- Check erroneous connection.
- Check if thermistor cable is open

→ Reset power when reinstalling due to removed connector or incorrect wiring.



Check point 2. Remove connector and check thermistor resistance value

- For the outdoor unit heat exchanger thermistor resistance value, refer to "[Thermistor resistance values](#)" on page 03-47.
- If thermistor is either open or shorted, replace it and reset the power.



Check point 3. Check voltage of main PCB

Make sure circuit diagram of outdoor unit and check terminal voltage at thermistor (DC 5.0 V).

NOTE: For details of thermistor connector, refer to "[Wiring diagrams](#)" in Chapter 2. TECHNICAL DATA AND PARTS LIST on page 02-19.

If the voltage does not appear, replace main PCB.



End

2-17. E: 74. Outdoor temperature thermistor error (Outdoor unit)

Indicator	Indoor unit	Operation indicator	7 time flash
		Timer indicator	4 time flash
		Economy indicator	Continuous flash
		Error code	E: 74
Detective actuator	Outdoor unit main PCB	When outdoor temperature thermistor open or short circuit is detected at power on or while running the compressor	
	Outdoor temperature thermistor		
Forecast of cause		Connector failure	
		Thermistor failure	
		Main PCB failure	

Check point 1. Check connection of connector

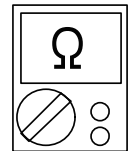
- Check if connector is loose or removed.
- Check erroneous connection.
- Check if thermistor cable is open

-> Reset power when reinstalling due to removed connector or incorrect wiring.



Check point 2. Remove connector and check thermistor resistance value

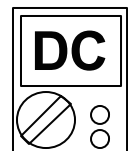
- For the outdoor temperature thermistor resistance value, refer to "[Thermistor resistance values](#)" on page 03-47.
- If thermistor is either open or shorted, replace it and reset the power.



Check point 3. Check voltage of main PCB

Make sure circuit diagram of outdoor unit and check terminal voltage at thermistor (DC 5.0 V).

NOTE: For details of thermistor connector, refer to "[Wiring diagrams](#)" in Chapter 2. TECHNICAL DATA AND PARTS LIST on page 02-19.



If the voltage does not appear, replace main PCB.



End

2-18. E: 84. Current sensor error (Outdoor unit)

Indicator	Indoor unit	Operation indicator	8 time flash
		Timer indicator	4 time flash
		Economy indicator	Continuous flash
		Error code	E: 84
Detective actuator	Outdoor unit	main PCB	When input current sensor has detected 0 A, while inverter compressor is operating at higher than 56 rps, after 1 minute upon starting the compressor. (Except during the defrost operation)
Forecast of cause			Defective connection of electric components
			External cause
			Main PCB failure

Check point 1. Reset power supply and operate

Does error indication show again?

If no, go to "Check point 1-2".



Check point 2. Check connections of outdoor unit electrical components

- Check if the terminal connection is loose.
- Check if connector is removed.
- Check erroneous connection.
- Check if cable is open.

Upon correcting the removed connector or miswiring, reset the power.



Check point 3. Replace main PCB

If Check point 1, 2 do not improve the symptom, change main PCB.



End

Check point 1-2. Check external cause at Indoor and Outdoor (Voltage drop or Noise)

- Instant drop: Check if there is a large load electric apparatus in the same circuit.
- Momentary power failure: Check if there is a defective contact or leak current in the power supply circuit.
- Noise: Check if there is any equipment causing harmonic wave near electric line. (Neon bulb or electric equipment that may cause harmonic wave)
Check the complete insulation of grounding.



End

2-19. E: 94. Over current error (Outdoor unit)

Indicator	Indoor unit	Operation indicator	9 time flash
		Timer indicator	4 time flash
		Economy indicator	Continuous flash
		Error code	E: 94
Detective actuator	Outdoor unit	Main PCB	Protection stop by over-current generation after inverter compressor start processing completed generated consecutively 10 times. NOTE: The number of generations is reset when the compressor starts up.
		Compressor	
Forecast of cause			Outdoor unit fan operation defective, foreign matter on heat-exchanger, excessive rise of ambient temperature
			Main PCB failure
			Inverter compressor failure (lock, winding short)

Check point 1. Check the outdoor unit fan operation, heat-exchanger, ambient temperature

- No obstructions in air passages?
- Heat exchange fins clogged
- Outdoor unit fan motor check
- Ambient temperature not raised by the effect of other heat sources?
- Discharged air not sucked in?



Check point 2. Replace main PCB

If Check point 1 do not improve the symptom, change main PCB.



Check point 3. Replace compressor

If Check point 2 do not improve the symptom, change compressor.



End

2-20. E: 95. Compressor motor control error (Outdoor unit)

Indicator	Indoor unit	Operation indicator	9 time flash
		Timer indicator	5 time flash
		Economy indicator	Continuous flash
		Error code	E: 95
Detective actuator	Outdoor unit	Main PCB	<ol style="list-style-type: none"> 1. When running the compressor, if the detected rotor location is out of phase with actual rotor location more than 90°, the compressor stops. 2. After the compressor restarts, if the same operation is repeated within 40 seconds, the compressor stops again. 3. If 1. and 2. repeats 5 times, the compressor stops permanently.
		Compressor	
Forecast of cause		Defective connection of electric components	
		Main PCB failure	
		Compressor failure	

Check point 1. Check Noise from Compressor

Turn on Power and check operation noise.
→ If an abnormal noise show, replace compressor.



Check point 2. Check connection of around the compressor components

For compressor terminal, main PCB

- Check if connector is removed.
- Check erroneous connection.
- Check if cable is open. (Refer to inverter compressor in "[Service parts information](#)" on page 03-38.)

→ Upon correcting the removed connector or mis-wiring, reset the power.



Check point 3. Replace main PCB

If Check point 1, 2 do not improve the symptom, change main PCB.



Check point 4. Replace compressor

If Check point 3 do not improve the symptom, change compressor.



End

2-21. E: 97. Outdoor unit fan motor error (Outdoor unit)

Indicator	Indoor unit	Operation indicator	9 time flash
		Timer indicator	7 time flash
		Economy indicator	Continuous flash
		Error code	E: 97
Detective actuator	Outdoor unit	Main PCB	<ol style="list-style-type: none"> When outdoor fan rotation speed is less than 100 rpm in 20 seconds after fan motor starts, fan motor stops. After fan motor restarts, if the same operation within 60 seconds is repeated 3 times in a row, compressor and fan motor stops. If 1. and 2. repeats 5 times in a row, compressor and fan motor stops permanently.
		Fan motor	
Forecast of cause		Fan rotation failure	
		Motor protection by surrounding temperature rise	
		Main PCB failure	
		Outdoor unit fan motor	

Check point 1. Check rotation of fan

Rotate the fan by hand when operation is off. (Check if fan is caught, dropped off or locked motor)
→ If fan or bearing is abnormal, replace it.



Check point 2. Check ambient temperature around motor

Check excessively high temperature around the motor. (If there is any surrounding equipment that causes heat)
→ Upon the temperature coming down, restart operation.



Check point 3. Check outdoor unit fan motor

Check outdoor unit fan motor. (Refer to outdoor unit fan motor in "[Service parts information](#)" on page 03-38.)
→ If outdoor unit fan motor is abnormal, replace outdoor unit fan motor and main PCB.



Check point 4. Check output voltage of main PCB

Check outdoor unit circuit diagram and the voltage. (Measure at main PCB side connector)

NOTE: For details of wiring diagram, refer to "[Wiring diagrams](#)" in Chapter 2. TECHNICAL DATA AND PARTS LIST on page 02-19.



Read wire	DC voltage
Red—Black	306 to 374 V
White—Black	15 ± 1.5 V

-> If the voltage is not correct, replace Main PCB.



End

2-22. E: 99. 4-way valve error (Outdoor unit)

Indicator	Indoor unit	Operation indicator	9 time flash
		Timer indicator	9 time flash
		Economy indicator	Continuous flash
		Error code	E: 99
Detective actuator	Indoor unit	main PCB	When the indoor heat exchanger temperature is compared with the room temperature, and either following condition is detected continuously two times, the compressor stops. Indoor heat exchanger temp. - Room temp. > 10 °C (Cooling or Dry operation) Indoor heat exchanger temp. - Room temp. < -10 °C (Heating operation) If the same operation is repeated 5 times, the compressor stops permanently.
	Heat exchanger temperature thermistor		
	Room temperature thermistor		
	4-way valve		
Forecast of cause			Air filter clogged
			Connector connection failure
			Thermistor failure
			Coil failure
			4-way valve failure
			Main PCB failure

Check point 1. Check air filter condition

Check air filter dirty.

→ If the air filter dirty, clean up the air filter.



Check point 2. Check connection of connector

- Check if connector is removed.
- Check erroneous connection.
- Check if thermistor cable is open.

→ Upon correcting the removed connector or mis-wiring, reset the power.



Check point 3. Check each thermistor

- Isn't it fallen off the holder?
- Is there a cable pinched?

Check characteristics of room thermistor and indoor unit heat exchanger thermistor.

For the thermistor resistance value, refer to "[Thermistor resistance values](#)" on page 03-47.

→ If defective, replace the thermistor.



Check point 4. Check the solenoid coil and 4-way valve

NOTE: Refer solenoid coil and 4-way valve in "[Service parts information](#)" on page 03-38.

- **Solenoid coil**
Remove from PCB and check the resistance value of coil. Resistance value is 1.88 to 2.29 kΩ (at 20°C).
→ If it is open or abnormal resistance value, replace solenoid coil.
- **4-way valve**
Check each piping temperature, and the location of the valve by the temperature difference.
If the value location is not proper, replace 4-way valve.

**Check point 5. Replace main PCB**

If Check Point 1 to 4 do not improve the symptom, replace main PCB.



End

2-23. E: A1. Discharge temperature error (Outdoor unit)

Indicator	Indoor unit	Operation indicator	10 time flash
		Timer indicator	1 time flash
		Economy indicator	Continuous flash
		Error code	E: A1
Detective actuator	Outdoor unit main PCB	Protection stop by discharge temperature ≥ 110 °C during compressor operation generated 2 times within 24 hours.	
	Discharge temperature thermistor		
Forecast of cause			3-way valve not opened
			EEV or capillary tube defective, strainer clogged
			Outdoor unit operation failure, foreign matter on heat exchanger
			Discharge temperature thermistor failure
			Insufficient refrigerant
			Main PCB failure

Check point 1. Check if 3-way valve is open

If the 3-way valve is closed, open the 3-way valve and check operation.

NOTE: For cooling operation, check gas side of the 3-way valve.
For heating operation, check liquid side of the 3-way valve.



Check point 2. Check any of the electronic expansion valve (EEV), capillary tube, or strainer, or all

- Check if EEV open or there is a capillary tube defect.
Refer to outdoor unit Electronic Expansion Valve (EEV) or Capillary tube in "[Service parts information](#)" on page 03-38.
- Check the strainer clogging.



Check point 3. Check the outdoor unit fan and heat exchanger

- Check for foreign object at heat exchanger
- Check if fan can be rotated by hand.
- Check the motor. (Refer to outdoor unit fan motor in "[Service parts information](#)" on page 03-38.)



Check point 4. Check the discharge thermistor

The discharge temperature thermistor characteristics check. (Check by disconnecting thermistor from PCB.)

NOTE: For the characteristics of the thermistor, refer to "[Thermistor resistance values](#)" on page 03-47.



Check point 5. Check the refrigerant amount

Check the refrigerant leakage.



Check point 6. Replace main PCB

If check point 1 to 5 do not improve the symptom, replace the main PCB.



End

3. Troubleshooting without error code

3-1. Indoor unit—No power

Forecast of cause	Power supply failure
	External cause
	Electrical components defective

Check point 1. Check installation condition

- Isn't the breaker down?
- Check loose or removed connection cable.

-> If abnormal condition is found, correct it by referring to the installation manual or the "DESIGN & TECHNICAL MANUAL".



Check point 2. Check external cause at indoor and outdoor (voltage drop or noise)

- Instant drop: Check if there is a large load electric apparatus in the same circuit.
- Momentary power failure: Check if there is a defective contact or leak current in the power supply circuit.
- Noise: Check if there is any equipment causing harmonic wave near electric line. (Neon bulb or electric equipment that may cause harmonic wave)
Check the complete insulation of grounding.



Check point 3. Check electrical components

Check the voltage of power supply.

Check if AC 207 to 253 V appears at outdoor unit terminal L—N.

-> If no, go to "[Check point 1](#)" and "[Check point 2](#)".



- Check fuse in filter PCB.
If fuse is open, check if the wiring between terminal and filter PCB is loose, and replace fuse.
- Check varistor in filter PCB.
If varistor is defective, there is a possibility of an abnormal power supply.
Check the correct power supply and replace varistor.
Upon checking the normal power supply, replace varistor.



End

3-2. Outdoor unit—No power

Forecast of cause	Power supply failure
	External cause
	Electrical components defective

Check point 1. Check installation condition

- Is the circuit breaker on or off?
- Check loose or removed connection cable.

→ If abnormal condition is found, correct it by referring to the installation manual or the "DESIGN & TECHNICAL MANUAL".



Check point 2. Check external cause at indoor and outdoor (voltage drop or noise)

- Instant drop: Check if there is a large load electric apparatus in the same circuit.
- Momentary power failure: Check if there is a defective contact or leak current in the power supply circuit.
- Noise: Check if there is any equipment causing harmonic wave near electric line. (Neon bulb or electric equipment that may cause harmonic wave)
Check the complete insulation of grounding.

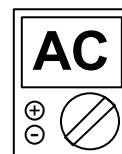


Check point 3. Check electrical components

Check the voltage of power supply.

Check if AC 207 to 253 V appears at outdoor unit terminal L — N

→ If no, go to "[Check point 1](#)" and "[Check point 2](#)".



- Check fuse in main PCB.
If fuse is open, check if the wiring between terminal and main PCB is loose, and replace fuse.
- Check varistor in main PCB.
If varistor is defective, there is a possibility of an abnormal power supply. Check the correct power supply and replace varistor.
→ Upon checking the normal power supply, replace varistor.



Check point 4. Replace main PCB

If check point 1 to 3 do not improve the symptom, change main PCB.



End

3-3. No operation (Power is on)

Forecast of cause	Setting/ Connection failure
	External cause
	Electrical components defective

Check point 1. Check indoor and outdoor installation condition

- Indoor unit:
 - Check incorrect wiring between indoor unit and remote controller.
 - Check if there is an open cable connection.
 - Are these indoor unit, outdoor unit, and remote controller suitable model numbers to connect?
- > If there is some abnormal condition, correct it by referring to the installation manual and "DESIGN & TECHNICAL MANUAL".



Turn off the power and check correct followings.

- Is there loose or removed communication line of indoor unit and outdoor unit?



Check point 2. Check external cause at indoor and outdoor (Voltage drop or Noise)

- Instant drop: Check if there is a large load electric apparatus in the same circuit.
- Momentary power failure: Check if there is a defective contact or leak current in the power supply circuit.
- Noise: Check if there is any equipment causing harmonic wave near electric line. (Neon bulb or electric equipment that may cause harmonic wave)
Check the complete insulation of grounding.



Check point 3. Check wired remote controller and controller PCB

Check voltage at CNC01 (terminal 1—3) of main PCB.
(Power supply to remote controller)

- If it is DC 13 V, remote controller is failure. (The controller PCB is normal)
-> Replace remote controller.
- If it is DC 0 V, controller PCB is failure. (Check the remote controller once again)
-> Replace controller PCB.



Check point 4. Replace main PCB

If check point 1 to 3 do not improve the symptom, change main PCB.



End

3-4. No cooling/No heating

Forecast of cause	Indoor unit error
	Outdoor unit error
	Effect by surrounding environment
	Connection pipe/Connection wire failure
	Refrigeration cycle failure

Check point 1. Check Indoor unit

- Does Indoor unit fan run in the HIGH mode?
- Is air filter dirty?
- Is heat exchanger clogged?
- Check if energy save function is operated.



Check point 2. Check outdoor unit operation

- Check if outdoor unit is operating.
- Check any objects that obstruct the air flow route.
- Check if heat exchanger is clogged.
- Is the valve open?



Check point 3. Check site condition

- Is capacity of Indoor unit fitted to the room size?
- Any windows open or direct sunlight?



Check point 4. Check Indoor/ Outdoor installation condition

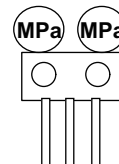
- Check connection pipe (specified pipe length and pipe diameter?)
- Check any loose or removed communication line.

→ If there is an abnormal condition, correct it by referring to the installation manual or the "DESIGN & TECHNICAL MANUAL".



Check point 5. Check Refrigeration cycle

- Check if strainer is clogged (Refer to the figure below).
- Measure gas pressure, and if there is a leakage, correct it.
- Check if EEV open or there is a capillary tube defect.
Refer to outdoor unit Electronic Expansion Valve (EEV) or Capillary tube in "[Service parts information](#)" on page 03-38.
- Check compressor.
Refer to compressor in "[Service parts information](#)" on page 03-38.
Refer to inverter compressor in "[Service parts information](#)" on page 03-38.



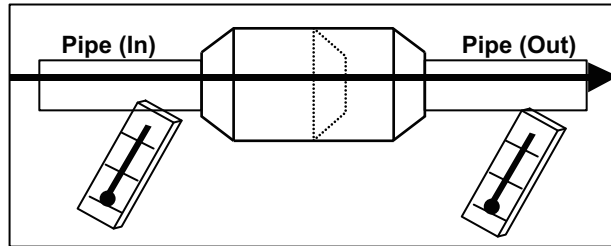
NOTE: When recharging the refrigerant, make sure to perform vacuuming, and recharge the specified amount.



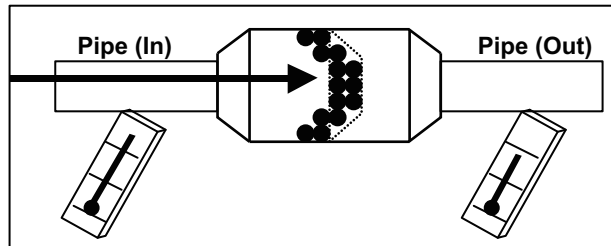
End

NOTES:

- Strainer normally does not have temperature difference between inlet and outlet as shown below.



- If there is a difference like shown below, there is a possibility of inside clogged. In this case, replace the strainer.



3-5. Abnormal noise

Forecast of cause	Abnormal installation (indoor unit/outdoor unit)
	Fan failure (indoor unit/outdoor unit)
	Compressor failure (outdoor)

Diagnosis method when abnormal noise is occurred

TROUBLESHOOTING

TROUBLESHOOTING

Abnormal noise is coming from Indoor unit.
(Check and correct followings)

Abnormal noise is coming from Outdoor unit.
(Check and correct followings)



- Is main unit installed in stable condition?
- Is the installation of air suction grille and front panel normal?

- Is main unit installed in stable condition?
- Is fan guard installed normally?



- Is fan broken or deformed?
- Is the screw of fan loose?
- Is there any object which obstruct the fan rotation?

- Is fan broken or deformed?
- Is the screw of fan loose?
- Is there any object which obstruct the fan rotation?



End

Check if vibration noise by loose bolt or contact noise of piping is happening.



- Is compressor locked?
- Check Compressor
Refer to compressor and inverter compressor in "[Service parts information](#)" on page 03-38.



End

3-6. Water leaking

Forecast of cause	Erroneous installation
	Drain hose failure

Diagnosis method when water leak occurs

- Is main unit installed in stable condition?
- Is main unit broken or deformed at the time of transportation or maintenance?



- Is drain hose connection loose?
- Is there a trap in drain hose?
- Is drain hose clogged?



Is fan rotating?



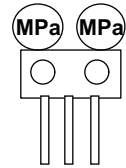
End

Diagnosis method when water is spitting out

Is the filter clogged?



Check gas pressure and correct it if there was a gas leak.

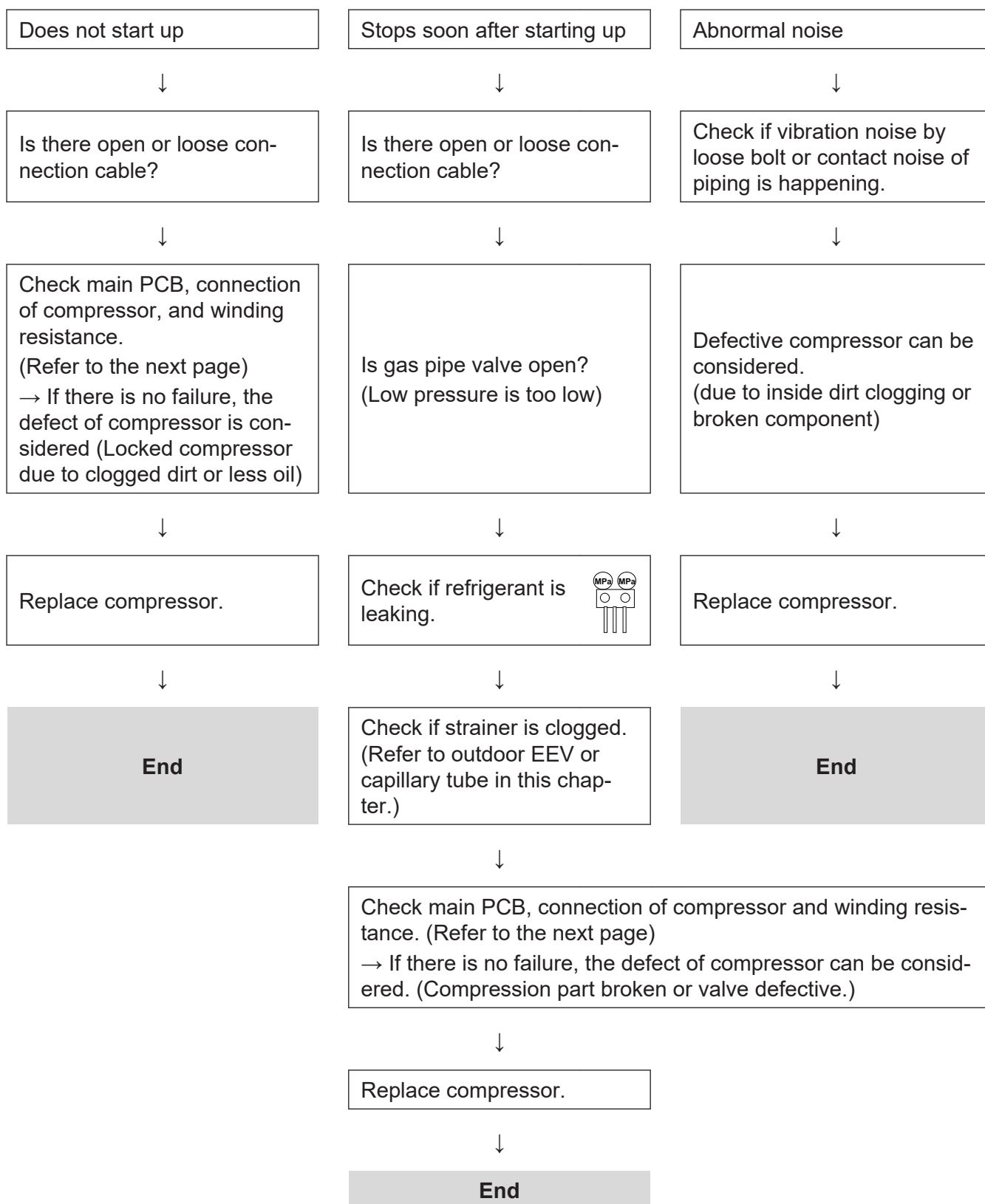


End

4. Service parts information

4-1. Compressor

Diagnosis method of compressor (If outdoor unit LED displays error, refer to troubleshooting)

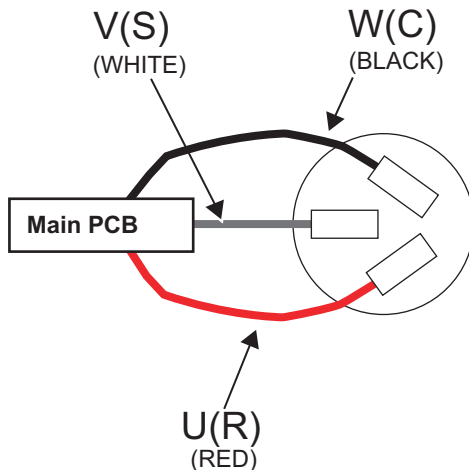


4-2. Inverter compressor

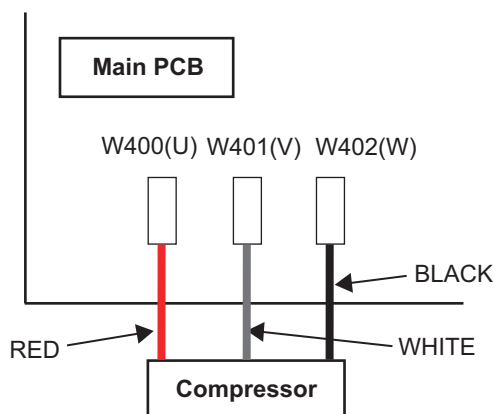
■ Models: AOYG07KETA, AOYG09KETA, AOYG12KETA, and AOYG14KETA

Check point 1. Check connection

- Check terminal connection of compressor (loose or incorrect wiring)



- Check terminal connection of main PCB (loose or incorrect wiring)

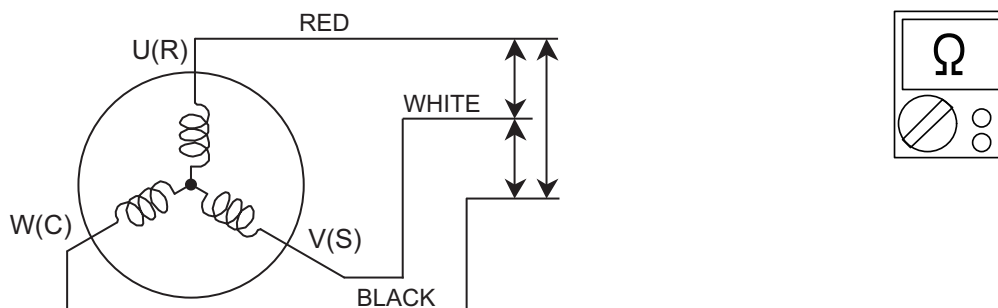


↓

Check point 2. Check winding resistance

Check winding resistance of each terminal.

Resistance value: 2.180 Ω at 20 °C (for 07/09/12 model), 1.975 Ω at 25 °C (for 14 model)



→ If the resistance value is 0 Ω or infinite, replace compressor.

↓

Check point 3. Replace inverter PCB

If check point 1 to 2 do not improve the symptom, replace main PCB.

4-3. Outdoor unit Electronic Expansion Valve (EEV)

■ Models: AOYG07KETA, AOYG09KETA, AOYG12KETA, and AOYG14KETA

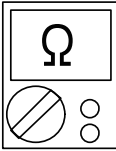
Check point 1. Check connections

Check connection of connector. (Loose connector or open cable)

NOTE: For details of wiring diagram, refer to "Wiring diagrams" in Chapter 2. TECHNICAL DATA AND PARTS LIST on page 02-19.

Check point 2. Check coil of EEV

Remove connector, check each winding resistance of coil.

Read wire	Resistance value
White - Red	$46 \Omega \pm 4 \Omega$ at 20°C 
Yellow - Red	
Orange - Red	
Blue - Red	

→ If Resistance value is abnormal, replace EEV.

Check point 3. Check voltage from main PCB

Remove connector and check voltage (DC 12 V)

→ If it does not appear, replace main PCB.



Check point 4. Check noise at start up

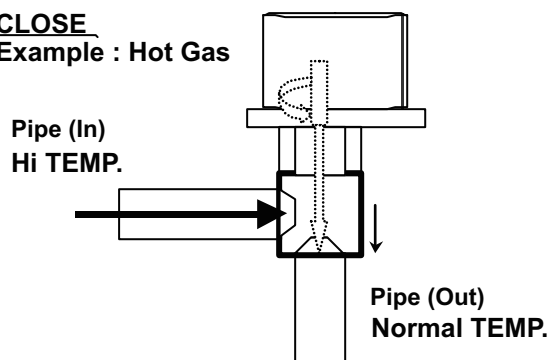
Turn on the power and check the operation noise.

→ If an abnormal noise does not show, replace main PCB.

Check point 5. Check opening and closing operation of valve

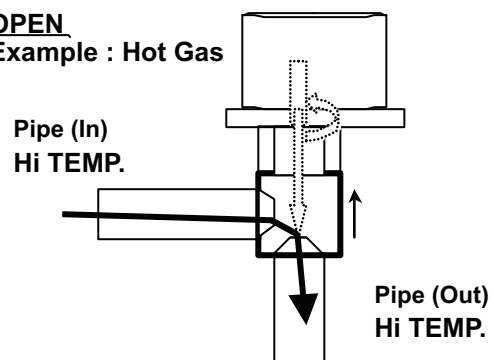
When valve is closed, it has a temp. difference between inlet and outlet

CLOSE
 Example : Hot Gas



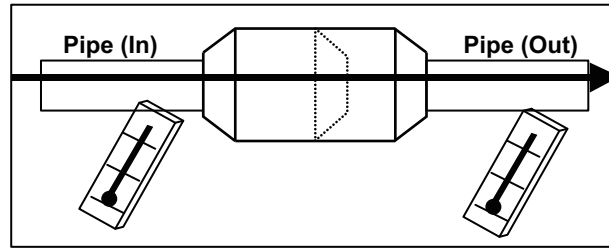
If it is open, it has no temp. difference between inlet and outlet

OPEN
 Example : Hot Gas

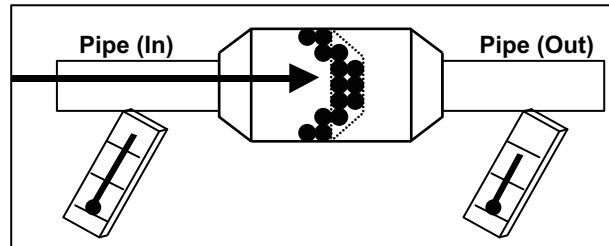


Check point 6. Check strainer

- Strainer normally does not have temperature difference between inlet and outlet as shown below.



- If there is a difference like shown below, there is a possibility of inside clogged. In this case, replace the strainer.



4-4. Indoor unit fan motor

- **Models: ASYG07KETA, ASYG07KETA-B, ASYG09KETA, ASYG09KETA-B, ASYG12KETA, ASYG12KETA-B, ASYG14KETA, and ASYG14KETA-B**

Check point 1. Check rotation of fan

Rotate the fan by hand when operation is off.
(Check if fan is caught, dropped off or locked motor)
→ If fan or bearing is abnormal, replace it.

Check point 2. Check resistance of indoor fan motor

Refer to below. Circuit-test "Vm" and "GND" terminal

NOTE: Vm: DC voltage, GND: Earth terminal

→ If they are short-circuited (below 300 kΩ), replace indoor fan motor and controller PCB.

Pin number (wire color)	Terminal function (symbol)
1 (Red)	DC voltage (Vm)
2	No function
3	No function
4 (Black)	Earth terminal (GND)
5 (White)	Control voltage (Vcc)
6 (Yellow)	Speed command (Vsp)
7 (Blue)	Feed back (FG)

4-5. Outdoor unit fan motor

■ Models: AOYG07KETA, AOYG09KETA, AOYG12KETA, and AOYG14KETA

Check point 1. Check rotation of fan

Rotate the fan by hand when operation is off.
 (Check if fan is caught, dropped off or locked motor)
 → If fan or bearing is abnormal, replace it.

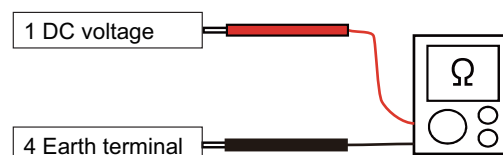
Check point 2. Check resistance of outdoor fan motor (P650)

Refer to below. Circuit-test "Vm" and "GND" terminal

NOTE: Vm: DC voltage, GND: Earth terminal

→ If they are short-circuited (below 300 kΩ), replace outdoor fan motor and controller PCB.

Pin number (wire color)	Terminal function (symbol)
1 (Red)	DC voltage (Vm)
2	No function
3	No function
4 (Black)	Earth terminal (GND)
5 (White)	Control voltage (Vcc)
6 (Yellow)	Speed command (Vsp)
7 (Brown)	Feed back (FG)



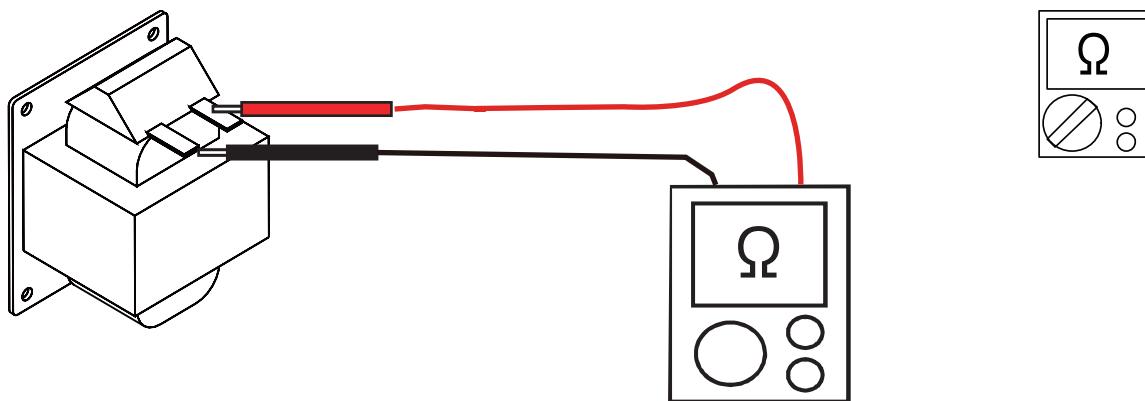
4-6. Reactor assy

■ Models: AOYG07KETA, AOYG09KETA, AOYG12KETA, and AOYG14KETA

Check point 1. Appearance check

No fissures, breaks, damage, etc. at the body and winding section, terminals section?

Check point 2. Electric check



- Set the tester to the "Resistance" mode, and check for open/short between both ends of the reactor wire (or connector).
- Judge the result of 1. as follows:

Short	Normal
Open	Abnormal (open)

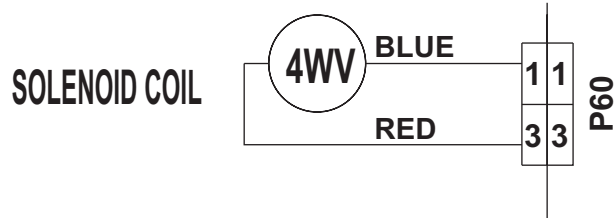
NOTE: Reference value of DC resistance of reactor used:
415.90 mΩ (at 25°C)

4-7. 4-way valve coil (solenoid coil)/4-way valve

■ Models: AOYG07KETA, AOYG09KETA, AOYG12KETA, and AOYG14KETA

Check point 1. Check connection

- Check the connection of connector P60.

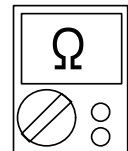
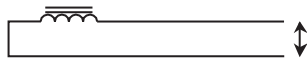


↓

Check Point 2 : Check Solenoid Coil

Remove P60 from PCB and check the resistance value of coil.

Resistance Value $\approx 2.085 \text{ k}\Omega$

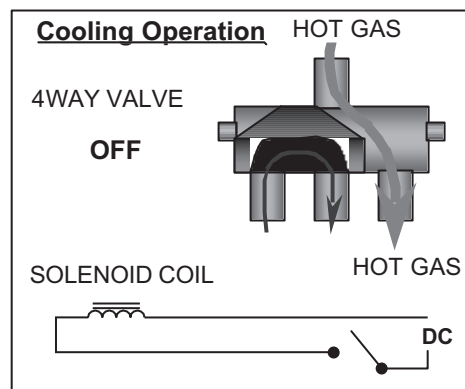
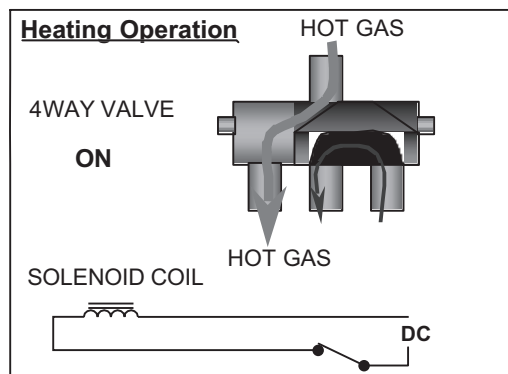


→ If it is Open or abnormal resistance value, replace Solenoid Coil.

↓

Check Point 3: Check Operation of 4 Way Valve

Check each piping temperature, and confirm the location of the valve by the temperature difference



→ If the valve location is not proper, replace 4 way valve.

↓

Check Point 4: Replace Main PCB

If none of Checks 1 to 3 apply, replace the Main PCB.

5. Thermistor resistance values

5-1. Indoor unit

■ Room temperature thermistor

Temperature (°C)	Resistance (kΩ)	Voltage (V)
-10.0	58.25	0.73
-5.0	44.03	0.93
0.0	33.62	1.15
5.0	25.93	1.39
10.0	20.18	1.66
15.0	15.84	1.94
20.0	12.54	2.22
25.0	10.00	2.50
30.0	8.04	2.77
35.0	6.51	3.03
40.0	5.30	3.27
45.0	4.35	3.49

■ Heat exchanger temperature thermistor

Temperature (°C)	Resistance (kΩ)	Voltage (V)
-30.0	1,131.91	0.21
-25.0	804.52	0.29
-20.0	579.59	0.40
-15.0	422.89	0.53
-10.0	312.27	0.69
-5.0	233.21	0.88
0.0	176.03	1.10
5.0	134.23	1.36
10.0	103.34	1.63
15.0	80.28	1.92
20.0	62.91	2.21
25.0	49.70	2.51
30.0	39.57	2.79
35.0	31.74	3.06
40.0	25.64	3.30
45.0	20.85	3.53
50.0	17.06	3.73
55.0	14.05	3.90
60.0	11.64	4.02
65.0	9.69	4.19

5-2. Outdoor unit

■ Discharge temperature thermistor

Temperature (°C)	Resistance (kΩ)	Voltage (V)
-30.0	1,013.1	0.06
-25.0	729.1	0.09
-20.0	531.6	0.12
-15.0	392.3	0.16
-10.0	292.9	0.21
-5.0	221.1	0.28
0.0	168.60	0.36
5.0	129.8	0.46
10.0	100.9	0.57
15.0	79.1	0.71
20.0	62.5	0.86
25.0	49.8	1.03
30.0	40.0	1.23
35.0	32.4	1.43
40.0	26.3	1.65
45.0	21.6	1.88
50.0	17.8	2.11
55.0	14.8	2.34
60.0	12.3	2.57
65.0	10.3	2.79
70.0	8.7	3.00
75.0	7.4	3.19
80.0	6.3	3.37
85.0	5.4	3.54
90.0	4.6	3.69
95.0	4.0	3.83
100.0	3.4	3.96
105.0	3.0	4.07
110.0	2.6	4.17
115.0	2.3	4.26
120.0	2.0	4.33

■ Heat exchanger temperature thermistor

Temperature (°C)	Resistance (kΩ)	Voltage (V)
-30.0	95.58	0.24
-25.0	68.90	0.32
-20.0	50.31	0.43
-15.0	37.19	0.57
-10.0	27.81	0.73
-5.0	21.02	0.92
0.0	16.05	1.14
5.0	12.38	1.39
10.0	9.63	1.65
15.0	7.56	1.93
20.0	5.98	2.21
25.0	4.77	2.49
30.0	3.84	2.77
35.0	3.11	3.02
40.0	2.53	3.26
45.0	2.08	3.48
50.0	1.71	3.68
55.0	1.42	3.85
60.0	1.19	4.00
65.0	1.00	4.13
70.0	0.84	4.25
75.0	0.71	4.35
80.0	0.61	4.43

■ Outdoor temperature thermistor

Temperature (°C)	Resistance (kΩ)	Voltage (V)
-30.0	224.33	0.73
-25.0	159.71	0.97
-20.0	115.24	1.25
-15.0	84.21	1.56
-10.0	62.28	1.90
-5.0	46.58	2.26
0.0	35.21	2.61
5.0	26.88	2.94
10.0	20.72	3.25
15.0	16.12	3.52
20.0	12.64	3.76
25.0	10.00	3.97
30.0	7.97	4.14
35.0	6.40	4.28
40.0	5.18	4.41
45.0	4.21	4.51
50.0	3.45	4.59
55.0	2.85	4.65

4. CONTROL AND FUNCTIONS

CONTENTS

4. CONTROL AND FUNCTIONS

1. Rotation number control of compressor.....	04-1
1-1. Cooling operation	04-1
1-2. Heating operation	04-3
1-3. Dry operation	04-5
1-4. Rotation number of compressor at normal start-up	04-6
1-5. Limitation of compressor rotation number by outdoor temperature.....	04-7
2. Auto changeover operation.....	04-9
3. Fan control.....	04-11
3-1. Indoor fan control.....	04-11
3-2. Outdoor fan control	04-15
4. Louver control	04-18
4-1. Vertical airflow direction louver control	04-18
4-2. Adjust the horizontal louver	04-18
4-3. Swing operation.....	04-19
5. Timer operation control	04-20
5-1. Wireless remote control	04-20
5-2. Wired remote control	04-22
6. Defrost operation control	04-25
6-1. Defrost operation in heating operation stopped	04-26
7. Various control.....	04-27
7-1. Auto restart.....	04-27
7-2. MANUAL AUTO operation.....	04-27
7-3. Forced cooling operation	04-28
7-4. 10 °C HEAT operation	04-28
7-5. ECONOMY operation	04-28
7-6. POWERFUL operation	04-29
7-7. Fresh air control.....	04-29
7-8. Compressor preheating	04-29
7-9. External electrical heater control	04-30
7-10. Electronic expansion valve control	04-30
7-11. Prevention to restart for 3 minutes (3 minutes st)	04-30
7-12. 4-way valve control.....	04-30
7-13. Outdoor unit low noise operation	04-31
8. Various protections.....	04-32
8-1. Discharge gas temperature over-rise prevention control	04-32
8-2. Anti-freezing control (cooling and dry mode)	04-32
8-3. Current release control	04-33
8-4. Cooling pressure over-rise protection	04-33
8-5. Compressor temperature protection	04-33
8-6. High pressure protection	04-33

CONTENTS (continued)

8-7. Low outdoor temperature protection	04-34
8-8. High temperature and high pressure release control	04-34

1. Rotation number control of compressor

1-1. Cooling operation

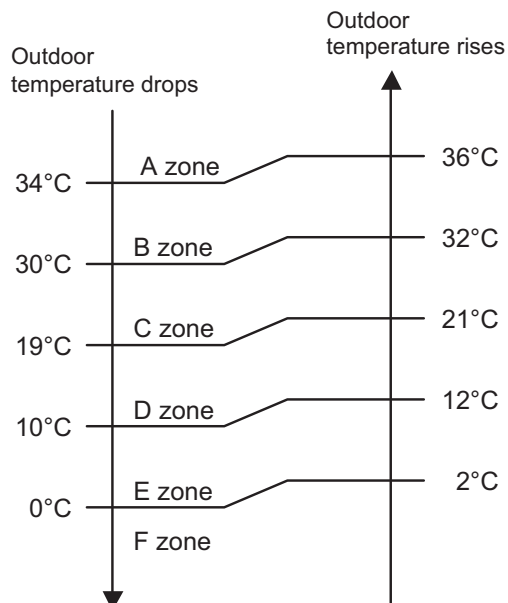
A sensor (room temperature thermistor) built in the indoor unit body will usually perceive difference or variation between a set temperature and present room temperature, and controls the operation rotation number of the compressor.

- If the room temperature is 6.0 °C higher than a set temperature, the operation rotation number of compressor will attain to maximum performance.
- If the room temperature is 1.0 °C lower than a set temperature, the compressor will be stopped.
- When the room temperature is within the range of +6.0°C to -1.0°C of the setting temperature, the rotation number of compressor is controlled within the range shown in the table below. However, the maximum rotation number is limited in the range shown in the figure below based on the indoor fan mode and the outdoor temperature.

- **Rotation number range of compressor**

Model name	Minimum frequency	Maximum frequency
ASYG07KETA ASYG07KETA-B	10 rps	84 rps
ASYG09KETA ASYG09KETA-B	10 rps	90 rps
ASYG12KETA ASYG12KETA-B	10 rps	90 rps
ASYG14KETA ASYG14KETA-B	12 rps	89 rps

• Limit of maximum speed based on outdoor temperature



Unit: rps

Model name	Outdoor temperature zone	Indoor unit fan mode			
		HIGH	MED	LOW	QUIET
ASYG07KETA ASYG07KETA-B	A zone	84	49	36	24
	B zone	84	49	36	24
	C zone	84	49	36	24
	D zone	60	44	34	22
	E zone	60	44	34	22
	F zone	60	44	34	22
ASYG09KETA ASYG09KETA-B	A zone	90	52	36	24
	B zone	90	52	36	24
	C zone	90	52	36	24
	D zone	64	46	34	22
	E zone	64	46	34	22
	F zone	64	46	34	22
ASYG12KETA ASYG12KETA-B	A zone	90	52	36	24
	B zone	90	52	36	24
	C zone	90	52	36	24
	D zone	64	46	34	22
	E zone	64	46	34	22
	F zone	64	46	34	22
ASYG14KETA ASYG14KETA-B	A zone	89	44	34	22
	B zone	89	44	34	22
	C zone	89	44	34	22
	D zone	62	40	32	20
	E zone	62	40	32	20
	F zone	62	40	32	20

1-2. Heating operation

A sensor (room temperature thermistor) built in indoor unit body will usually perceive difference or variation between setting temperature and present room temperature, and controls operation rotation number of compressor.

- If the room temperature is 6.0 °C lower than a set temperature, the operation rotation number of compressor will attain to maximum performance.
- If the room temperature is 1.0 °C higher than a set temperature, the compressor will be stopped.
- When the room temperature is within the range of +1.0°C to -6.0°C of the setting temperature, the rotation number of compressor is controlled within the range shown below.

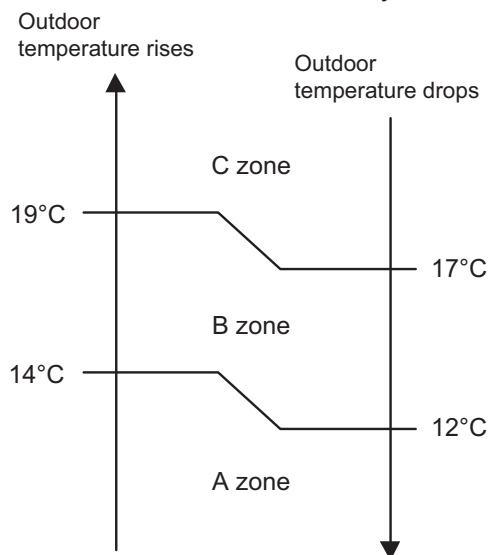
- **Rotation number range of compressor**

Unit: rps

Model name	Minimum frequency	Maximum frequency
ASYG07KETA ASYG07KETA-B	10	114
ASYG09KETA ASYG09KETA-B	10	114
ASYG12KETA ASYG12KETA-B	10	114
ASYG14KETA ASYG14KETA-B	12	110

• **Limit of maximum speed based on outdoor temperature**

In heating operation, maximum rotation number is defined by outdoor temperature and fan mode.



Unit: rps

Model name	Outdoor temperature zone	Indoor unit fan mode			
		HIGH	MED	LOW	QUIET
ASYG07KETA ASYG07KETA-B	A zone	114	114	110	90
	B zone	114	114	96	84
	C zone	110	110	84	52
ASYG09KETA ASYG09KETA-B	A zone	114	114	110	90
	B zone	114	114	96	84
	C zone	110	110	84	52
ASYG12KETA ASYG12KETA-B	A zone	114	114	90	78
	B zone	114	114	84	73
	C zone	110	110	73	46
ASYG14KETA ASYG14KETA-B	A zone	110	110	96	77
	B zone	110	110	89	72
	C zone	96	96	77	38

1-3. Dry operation

The rotation number of compressor shall change according to the temperature, set temperature, and room temperature variation which the room temperature sensor of the indoor unit has detected as shown in the table below.

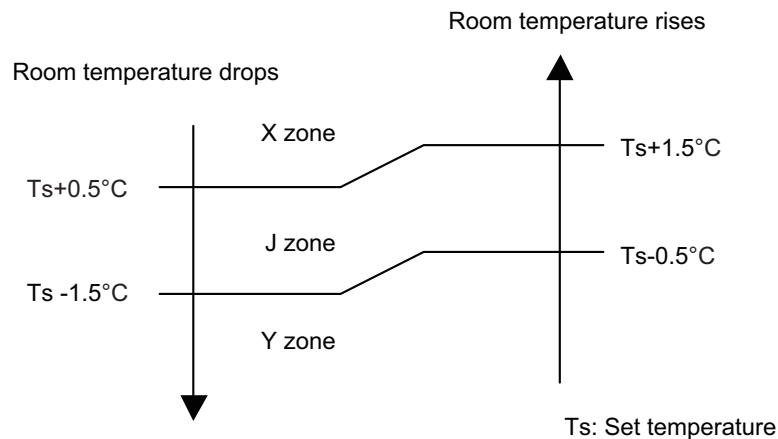
Zone is defined by set temperature and room temperature.

- **Rotation number range of compressor**

Unit: rps

Model name	Outdoor temperature zone	Operating frequency
ASYG07KETA ASYG07KETA-B	X zone	24
	J zone	18
	Y zone	0
ASYG09KETA ASYG09KETA-B	X zone	24
	J zone	18
	Y zone	0
ASYG12KETA ASYG12KETA-B	X zone	24
	J zone	18
	Y zone	0
ASYG14KETA ASYG14KETA-B	X zone	24
	J zone	16
	Y zone	0

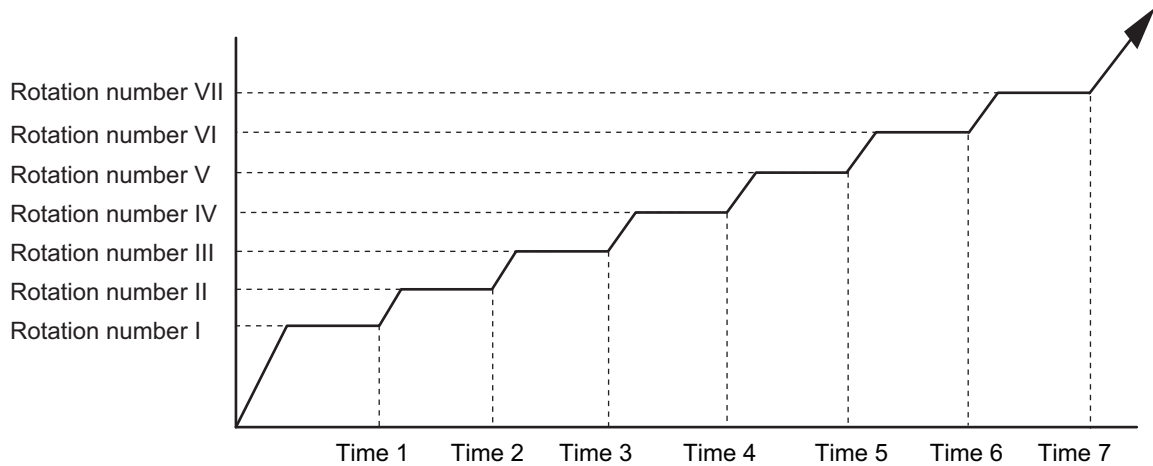
- **Compressor control based on room temperature**



1-4. Rotation number of compressor at normal start-up

■ Models: AOYG07KETA, AOYG09KETA, AOYG12KETA, and AOYG14KETA

Rotation number of compressor soon after starting is controlled as below.



Rotation number (rps)	I	II	III	IV	V	VI	VII
	45	56	68	77	84	93	103
Time (sec)	1	2	3	4	5	6	7
	60	140	170	220	280	360	430

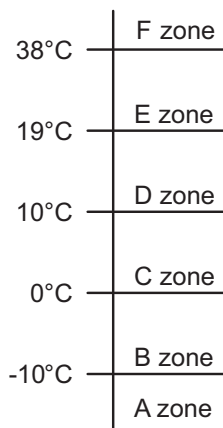
CONTROL AND FUNCTIONS

CONTROL AND FUNCTIONS

1-5. Limitation of compressor rotation number by outdoor temperature

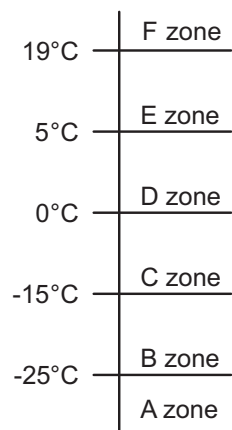
The minimum rotation number of compressor is limited by outdoor temperature as below.

- **Cooling/Dry mode**



Model name	Outdoor temperature zone	Limitation of compressor frequency
ASYG07KETA ASYG07KETA-B ASYG09KETA ASYG09KETA-B ASYG12KETA ASYG12KETA-B	A zone	42 rps
	B zone	42 rps
	C zone	33 rps
	D zone	28 rps
	E zone	16 rps
	F zone	21 rps
ASYG14KETA ASYG14KETA-B	A zone	36 rps
	B zone	36 rps
	C zone	28 rps
	D zone	26 rps
	E zone	1 rps
	F zone	36 rps

- Heating mode



Model name	Outdoor temperature zone	Limitation of compressor frequency
ASYG07KETA ASYG07KETA-B ASYG09KETA ASYG09KETA-B ASYG12KETA ASYG12KETA-B	A zone	43 rps
	B zone	43 rps
	C zone	30 rps
	D zone	18 rps
	E zone	16 rps
	F zone	16 rps
ASYG14KETA ASYG14KETA-B	A zone	37 rps
	B zone	37 rps
	C zone	36 rps
	D zone	15 rps
	E zone	1 rps
	F zone	1 rps

2. Auto changeover operation

When the air conditioner is set to AUTO mode by remote controller, operation starts in the optimum mode from among heating, cooling, dry and monitoring modes. During operation, the optimum mode is automatically switched in accordance with temperature changes. The temperature can be set between 18°C and 30°C in 1.0°C steps.

- When operation starts, indoor fan and outdoor fan are operated for around 1 minute. Room temperature and outdoor temperature are sensed, and the operation mode is selected in accordance with the table below.

Room temperature	Operation mode
$Tr > Ts + 2^{\circ}\text{C}$	Cooling
$Ts + 2^{\circ}\text{C} \geq Tr \geq Ts - 2^{\circ}\text{C}$	Middle zone
$Tr < Ts - 2^{\circ}\text{C}$	Heating

Tr: Room temperature

Ts: Setting temperature

NOTE: When the operation mode is middle zone, indoor unit operation mode is selected as below.

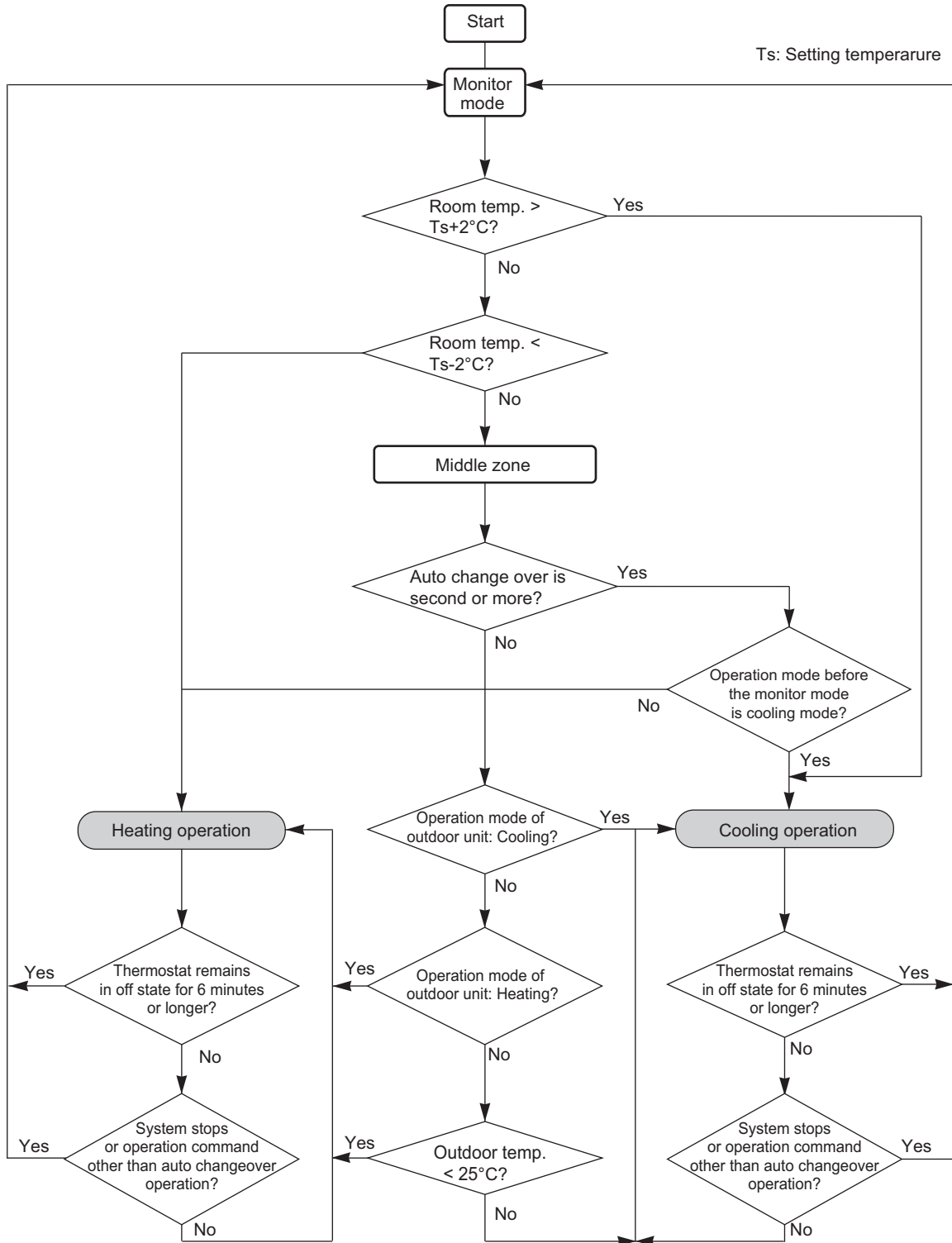
- Same operation mode is selected as outdoor unit.
If outdoor unit is operating in cooling and heating mode, indoor unit will be operated by the same operation mode.
- Selected by outdoor temperature.
If outdoor unit is operating in other than cooling and heating mode, indoor unit will be operated according to the outdoor temperature as below.

Outdoor temp.	Operation mode
25°C or more	Cooling
Less than 25°C	Heating

- When the compressor was stopped for 6 consecutive minutes by temperature control function after the cooling or heating mode was selected as above, operation is switched to monitoring mode and the operation mode selection is done again.
- When the middle zone is selected on the predetermining of the operation mode, the operation mode before the changing to the monitoring mode is selected.

Operation flow chart

Ts: Setting temperature



CONTROL AND FUNCTIONS

CONTROL AND FUNCTIONS

3. Fan control

Tr: Room temperature

Ts: Setting temperature

3-1. Indoor fan control

■ Fan speed

Indoor fan speed is defined as below.

Operation mode	Fan mode	Speed (rpm)			
		ASYG07KETA ASYG07KETA- B	ASYG09KETA ASYG09KETA- B	ASYG12KETA ASYG12KETA- B	ASYG14KETA ASYG14KETA- B
Heating	POWERFUL	1,210	1,250	1,270	1,360
	HIGH	1,140	1,180	1,200	1,290
	MED+	1,040	1,040	1,100	1,160
	MED	950	970	1,030	1,100
	LOW	800	810	880	910
	QUIET	630	630	630	670
	Cool air prevention	550	550	550	580
	S-LOW	400	400	400	470
Cooling/Fan	POWERFUL	1,120	1,180	1,180	1,320
	HIGH	1,050	1,110	1,110	1,250
	MED	900	920	920	1,020
	LOW	760	760	760	810
	QUIET	550	550	550	580
	Soft quiet	470*1	470*1	470*1	510*1
	S-LOW	400*2	400*2	400*2	470*2
Dry		X zone: 550 J zone: 550	X zone: 550 J zone: 550	X zone: 550 J zone: 550	X zone: 580 J zone: 580

*1: Fan mode only

*2: Cooling mode only

■ Fan operation

Airflow can be switched in 5 steps such as AUTO, QUIET, LOW, MED, HIGH while indoor unit fan only runs.

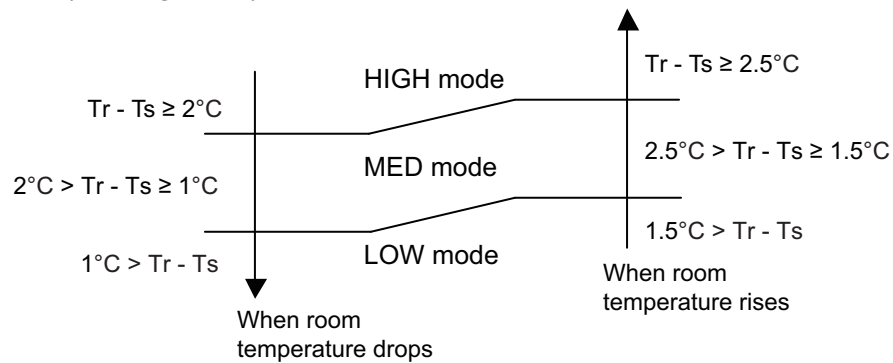
When fan mode is set at AUTO, it operates on MED fan speed.

■ Cooling operation

Switch the airflow AUTO, and indoor fan motor will run according to room temperature, as below.

On the other hand, if switched in HIGH—QUIET, indoor motor will run at a constant airflow of COOL operation modes QUIET, LOW, MED, HIGH as shown in “Fan speed” above.

Airflow change over (Cooling: Auto)



■ Dry operation

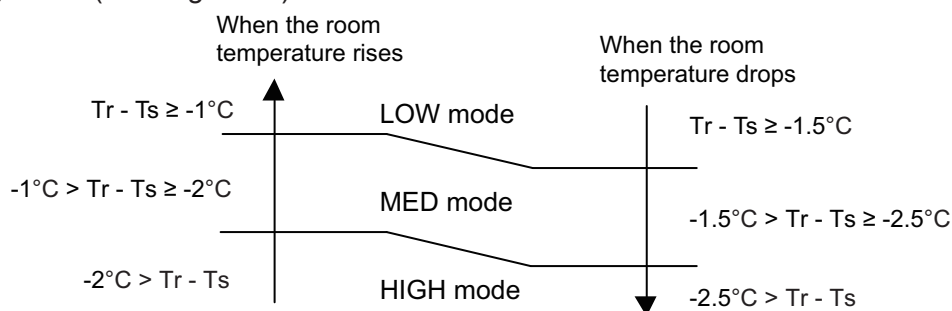
During dry operation, fan speed setting can not be changed as shown in “Fan speed” above.

■ Heating operation

Switch the airflow AUTO, and the indoor fan motor will run according to a room temperature, as below.

On the other hand, if switched in HIGH—QUIET, the indoor motor will run at a constant airflow of HEAT operation modes QUIET, LOW, MED, HIGH as shown in “Fan speed” above.

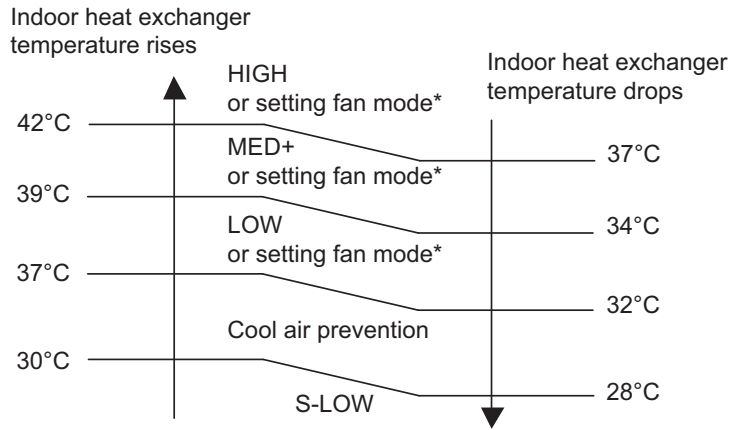
Airflow change over (Heating: Auto)



■ Cool air prevention control (heating mode)

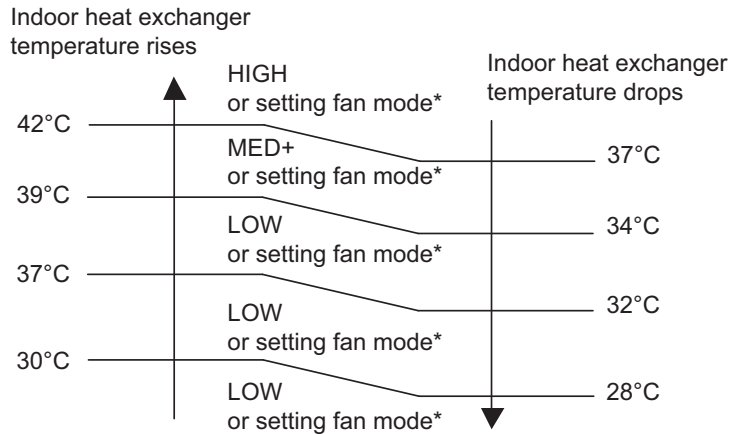
The maximum value of the indoor fan speed is set as shown below, based on the detected temperature by the indoor heat exchanger sensor on heating mode.

- Normal operation



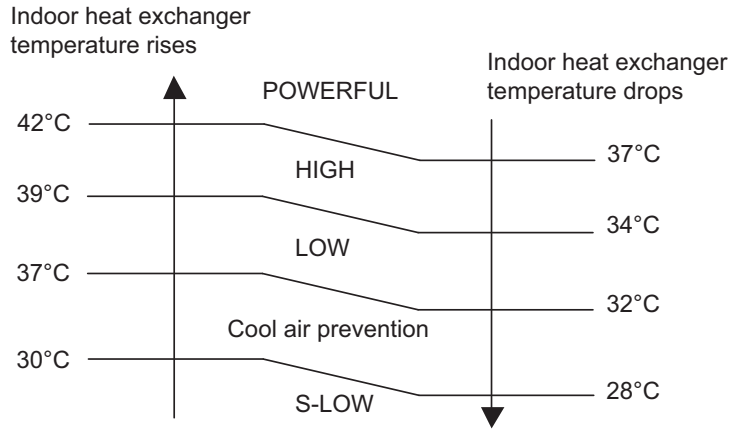
*: Lower speed is selected.

7 minutes later:

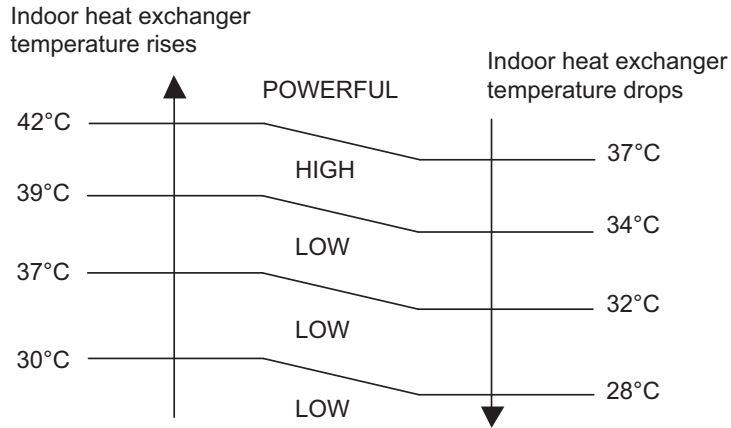


*: Lower speed is selected.

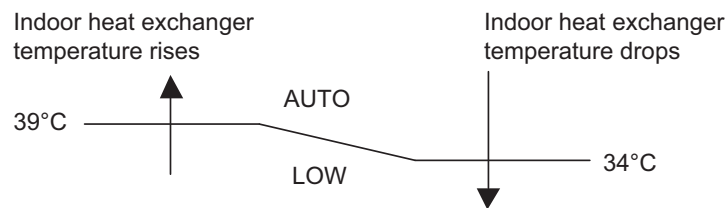
• **Powerful operation**



7 minutes later:

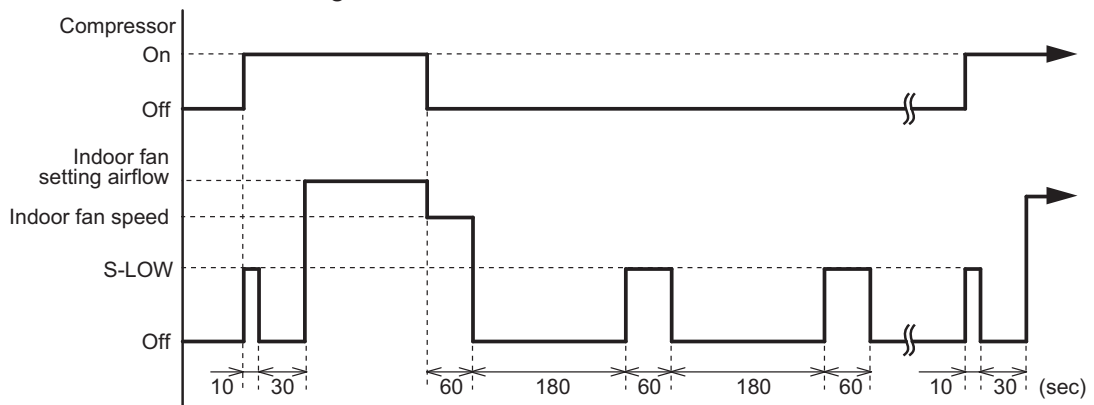


• **10 °C HEAT operation**



■ **Moisture return prevention control (cooling and dry mode)**

Switch the airflow AUTO at cooling mode, and the indoor fan motor will run as shown below.



3-2. Outdoor fan control

■ Outdoor fan motor

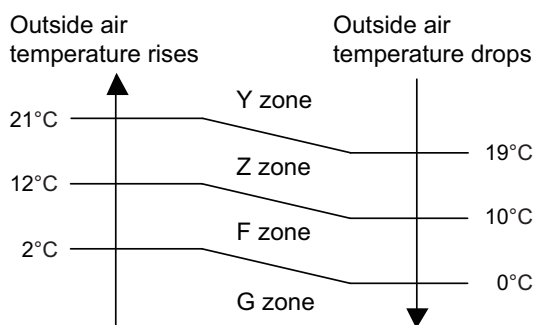
This outdoor unit has a DC fan motor. (Control method is different between AC and DC motors.)

■ Fan speed

● Models: AOYG07KETA and AOYG09KETA

Fan speed is defined by outdoor temperature and compressor frequency.

• Outside air temperature zone selection



Unit: rpm

Fan step	Cooling	Heating	Dry	Cooling or dry at low outdoor temp.		
	Y zone		Y zone	Z zone	F zone	G zone
S-HIGH2	—	930	—	—	—	—
S-HIGH1	950	930	—	—	—	—
HIGH	950	930	—	—	—	—
10	—	690	—	—	—	—
9	950	690	950	950	950	950
8	780	690	780	780	270	250
7	780	690	780	780	270	250
6	780	690	780	540	270	250
5	780	690	780	360	240	220
4	780	550	780	270	210	190
3	680	510	680	270	190	170
2	610	480	610	270	190	170
1	580	480	580	270	170	170

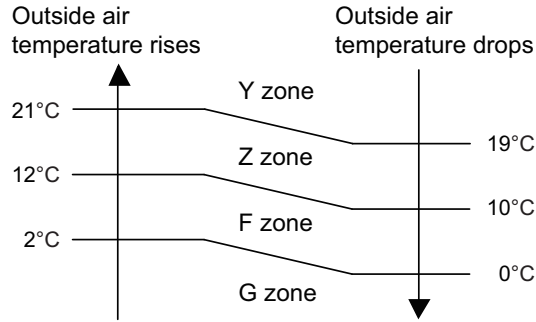
NOTE: After defrost control on the heating mode, the fan speed is kept higher regardless of the compressor frequency.

Fan speed after defrost control: 930 rpm

● **Model: AOYG12KETA**

Fan speed is defined by outdoor temperature and compressor frequency.

• **Outside air temperature zone selection**



Unit: rpm

Fan step	Cooling	Heating	Dry	Cooling or dry at low outdoor temp.		
	Y zone		Y zone	Z zone	F zone	G zone
S-HIGH2	—	1,020	—	—	—	—
S-HIGH1	950	1,020	—	—	—	—
HIGH	950	1,020	—	—	—	—
10	—	790	—	—	—	—
9	950	790	950	950	950	950
8	900	790	900	900	350	330
7	900	790	900	900	350	330
6	900	790	900	560	350	330
5	900	730	900	420	320	300
4	800	630	800	350	290	270
3	680	530	680	350	270	250
2	580	470	580	350	270	250
1	540	470	540	350	250	250

NOTE: After defrost control on the heating mode, the fan speed is kept higher regardless of the compressor frequency.

Fan speed after defrost control: 1,020 rpm

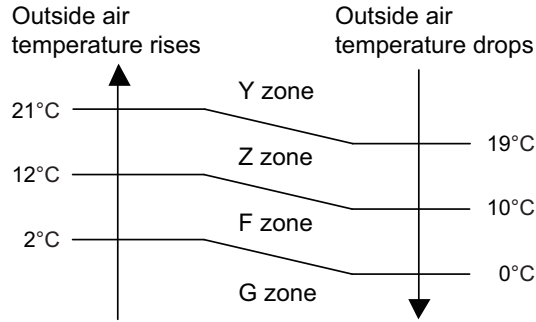
CONTROL AND FUNCTIONS

CONTROL AND FUNCTIONS

● **Model: AOYG14KETA**

Fan speed is defined by outdoor temperature and compressor frequency.

• **Outside air temperature zone selection**



Unit: rpm

Fan step	Cooling	Heating	Dry	Cooling or dry at low outdoor temp.		
	Y zone		Y zone	Z zone	F zone	G zone
S-HIGH2	—	1,120	—	—	—	—
S-HIGH1	990	1,120	—	—	—	—
HIGH	990	1,120	—	—	—	—
10	—	870	—	—	—	—
9	990	870	990	990	990	990
8	920	870	920	920	300	280
7	920	870	920	920	300	280
6	920	710	920	630	300	280
5	920	660	920	460	270	250
4	810	660	810	380	240	220
3	670	500	670	380	220	200
2	570	500	570	380	220	200
1	520	500	520	380	200	200

NOTE: After defrost control on the heating mode, the fan speed is kept higher regardless of the compressor frequency.

Fan speed after defrost control: 1,120 rpm

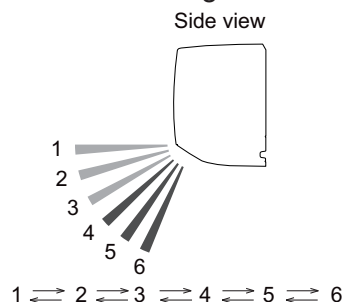
CONTROL AND FUNCTIONS

CONTROL AND FUNCTIONS

4. Louver control

4-1. Vertical airflow direction louver control

Each time the button is pressed, the air direction range will change as below:



- Remote controller display is not changed.
- Vertical airflow direction is set automatically as shown, in accordance with the type of operation selected.

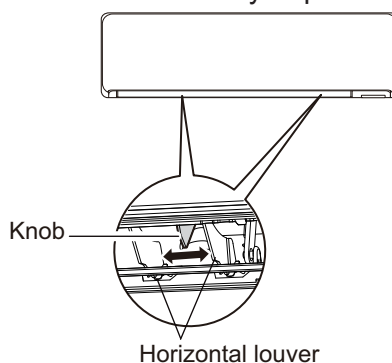
Cooling / Dry mode : Horizontal flow 1

Heating mode : Downward flow 6

- During AUTO operation, for the first a few minutes after beginning operation, airflow will be horizontal 1; the air direction cannot be adjusted during this period. The airflow direction setting will temporarily become 1 when the temperature of the airflow is low at the start of the Heating mode.
- After beginning of AUTO/HEAT mode operated and automatic defrosting operation, the airflow will be horizontal 1. However, the airflow direction cannot be adjusted at beginning AUTO operation mode.

4-2. Adjust the horizontal louver

Move the horizontal louvers to adjust airflow direction you prefer.



4-3. Swing operation

- To select vertical airflow swing operation
When the swing signal is received, the vertical airflow direction louver starts to swing.
 - Swinging range
 - Cooling mode/dry mode/fan mode (1 to 3): 1 ↔ 4
 - Heating mode/fan mode (4 to 6): 3 ↔ 6
 - When the indoor fan is S-LOW or stop mode, the swing operation is interrupted and it stops at either upper end or bottom end.

- To select horizontal airflow swing operation
No function

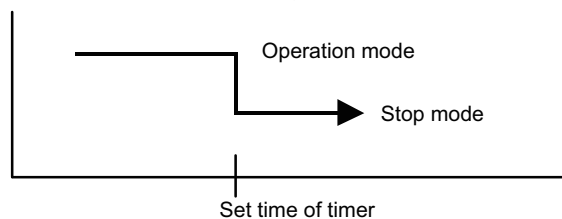
5. Timer operation control

5-1. Wireless remote control

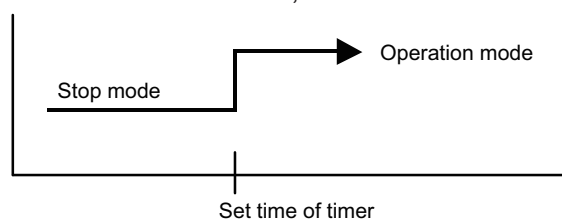
On/Off timer	Program timer	Sleep timer	Weekly timer
○	○	○	○

■ On/Off timer

- Off timer: When the clock reaches the set timer, the air conditioner will be turned off.

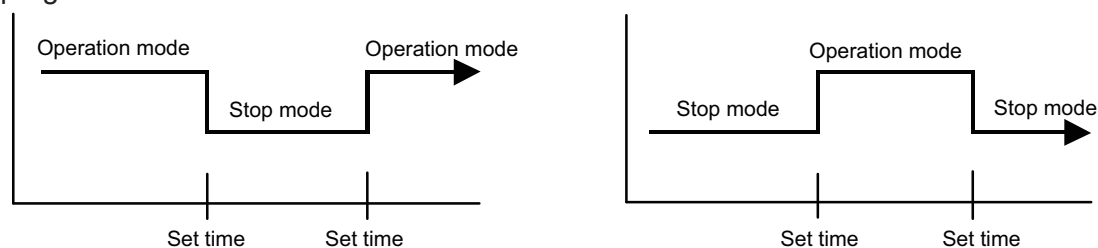


- On timer: When the clock reaches the set timer, the air conditioner will be turned on.



■ Program timer

- The program timer allows the off timer and the on timer to be used in combination one time.



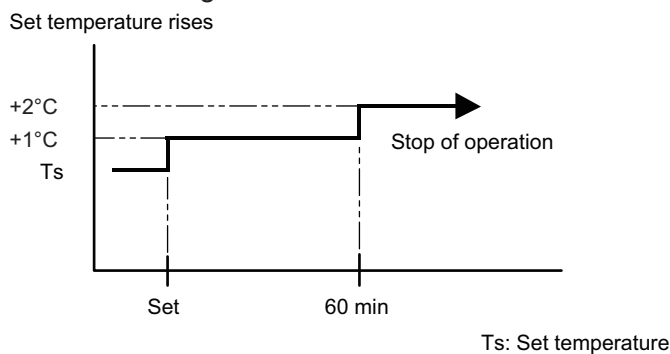
- Operation will start from the timer setting (either off timer and on timer) whichever is closest to the clock current timer setting. The order of operations is indicated by the allow in the remote controller screen.
- Sleep timer operation cannot be combined with on timer operation.

■ Sleep timer

If the sleep timer is set, the room temperature is monitored and the operation is stopped automatically. If the operation mode or the set temperature is change after the sleep timer is set, the operation is continued according to the changed setting of the sleep timer from that time on.

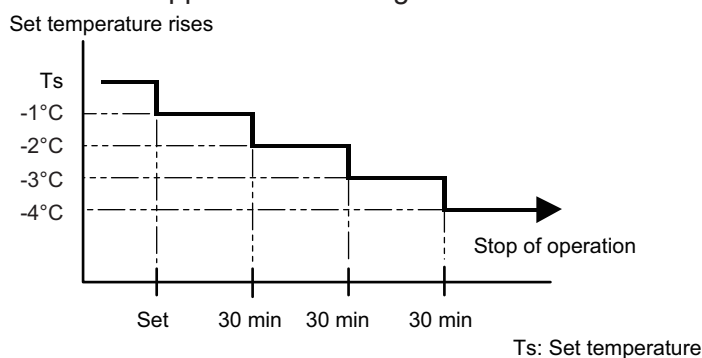
- In the cooling operation mode

When the sleep timer is set, the setting temperature is increased 1°C. It increases the setting temperature another 1°C after 1 hour. After that, the setting temperature is not changed and the operation is stopped at the setting time.



- In the heating operation mode

When the sleep timer is set, the setting temperature is decreased 1°C. It decreases the setting temperature another 1°C every 30 minutes. Upon lowering 4°C, the setting temperature is not changed and the operation is stopped at the setting time.



■ Weekly timer

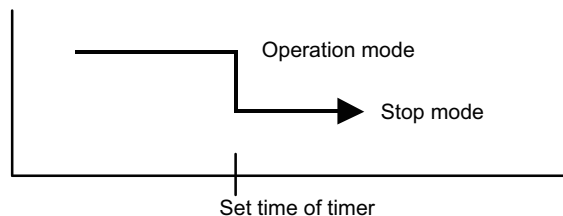
On and off timer can be combined, and up to 4 reservations per day and 28 reservations per week. Before setting the program, set the week and time of the air conditioner at first. If the week and time are not set, the weekly timer will not operate correctly at the setting time.

5-2. Wired remote control

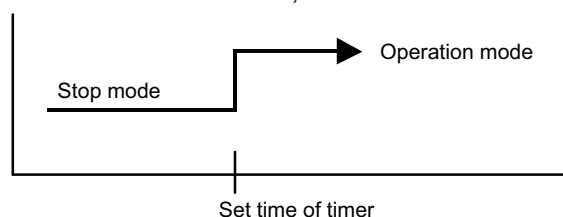
On/Off timer	Program timer	Sleep timer	Weekly timer	Temperature set back timer
○	○	○	○	○

■ On/Off timer

- Off timer: When the clock reaches the set timer, the air conditioner will be turned off.

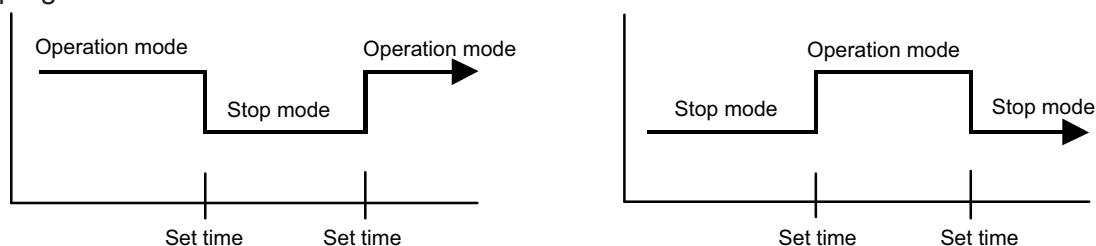


- On timer: When the clock reaches the set timer, the air conditioner will be turned on.



■ Program timer

- The program timer allows the off timer and the on timer to be used in combination one time.



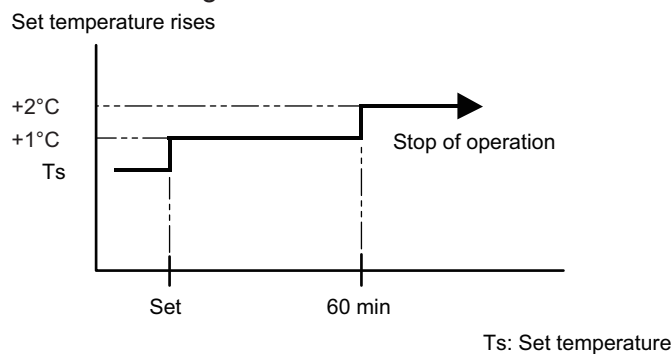
- Operation will start from the timer setting (either off timer and on timer) whichever is closest to the clock current timer setting. The order of operations is indicated by the allow in the remote controller screen.
- Sleep timer operation cannot be combined with on timer operation.

■ Sleep timer

If the sleep timer is set, the room temperature is monitored and the operation is stopped automatically. If the operation mode or the set temperature is change after the sleep timer is set, the operation is continued according to the changed setting of the sleep timer from that time on.

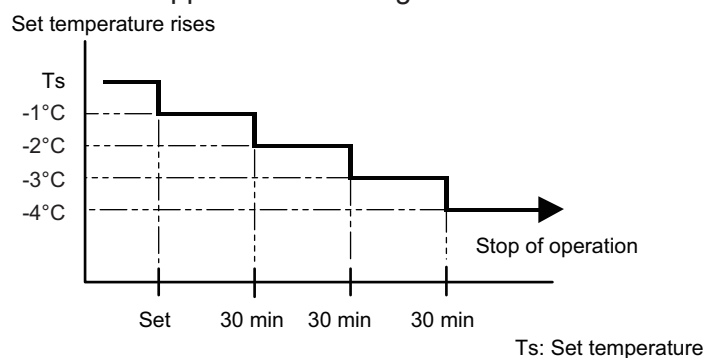
- In the cooling operation mode

When the sleep timer is set, the setting temperature is increased 1°C. It increases the setting temperature another 1°C after 1 hour. After that, the setting temperature is not changed and the operation is stopped at the setting time.



- In the heating operation mode

When the sleep timer is set, the setting temperature is decreased 1°C. It decreases the setting temperature another 1°C every 30 minutes. Upon lowering 4°C, the setting temperature is not changed and the operation is stopped at the setting time.



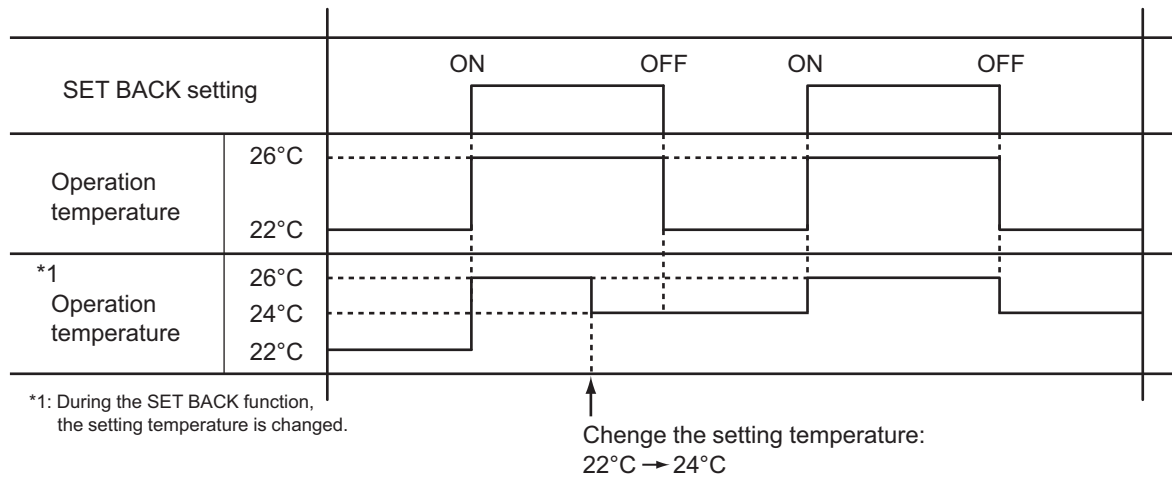
■ Weekly timer

On and off timer can be combined, and up to 4 reservations per day and 28 reservations per week. Before setting the program, set the week and time of the air conditioner at first. If the week and time are not set, the weekly timer will not operate correctly at the setting time.

■ Temperature set back timer

- The SET BACK timer only changes the set temperature for 7 days, it cannot be used to start or stop air conditioner operation.
- The SET BACK timer can be set to operate up to two times per day but only one temperature setting can be used.
- During COOLING/DRY mode, the air conditioner will operate at a minimum of 18°C even if the SET BACK temperature is set to 17°C or lower.

Case of SET BACK timer on the Cooling operation. (Setting temperature :22°C, SET BACK temperature :26°C)



6. Defrost operation control

Tn: Outdoor unit heat exchanger temperature

Ta: Outdoor temperature

Tn10: Temperature at 10 minutes after compressor start

Tnb: Temperature before 5 minutes

• Triggering condition

The defrost operation starts when outdoor unit heat exchanger temperature sensor detects the temperature lower than the values shown below.

– 1st time defrosting after starting operation

Compressor integrating operation time	Less than 17 min.	17 to 57 min.	More than 57 min.
Condition	Does not operate	$T_n \leq -9^\circ\text{C}$ and $T_n - T_a \geq 5$ deg	$T_n \leq -5^\circ\text{C}$

– 2nd time and after

Compressor integrating operation time	07/09/12 model	Less than 25 min.	More than 25 min.
	14 model	Less than 40 min.	More than 40 min.
Condition		Does not operate	$T_n - T_{n10} < -5$ deg ($T_n \leq -6^\circ\text{C}$) $T_n - T_{nb} < -2$ deg ($T_n \leq -6^\circ\text{C}$) $T_n \leq -17^\circ\text{C}$ ($T_a \geq -10^\circ\text{C}$) $T_n \leq (T_a - 7^\circ\text{C})$ or $T_n \leq -20^\circ\text{C}$ ($T_a < -10^\circ\text{C}$)

– Integrating defrost (Constant monitoring)

Compressor integrating operation time	More than 240 min. (For long continuous operation)	More than 215 min. (For long continuous operation)	Less than 10 min.* (For intermittent operation)
Condition	$T_n \leq -3^\circ\text{C}$	$T_n \leq -5^\circ\text{C}$	Count of the compressor off: 40 times

*: If the compressor continuous operation time is less than 10 minutes, the number of the compressor off is counted. If any defrost operated, the compressor off count is cleared.

• Release condition

The defrost operation is released when either one of the conditions below is satisfied.

Outdoor unit heat exchanger temperature (after 1 minute or later since compressor start)	16°C or more
Compressor operation time	15 minutes

6-1. Defrost operation in heating operation stopped

If the outdoor unit is frosted when stopping the heating operation, it stops after performing the automatic defrosting operation.

In this time, if the indoor unit operation lamp flashes slowly (6 sec on/2 sec off), the outdoor unit allow the heat exchanger to defrost, and then stop.

• Triggering condition

When all of the following conditions are satisfied in heating operation

- Compressor operation integrating time: 30 minutes or more
- Compressor continuous operation time: 10 minutes or more
- Outdoor unit heat exchanger temperature: -4°C or less

• Release condition

The defrost operation is released when either one of the conditions below is satisfied.

Outdoor unit heat exchanger temperature (after 1 minute or later since compressor start)	16°C or more
Compressor operation time	15 minutes

7. Various control

7-1. Auto restart

When the power was interrupted by a power failure etc. during operation, the operation contents at that time are memorized and when the power is recovered, operation is automatically started with the memorized operation contents.

Operation contents memorized when the power is interrupted
Operation mode
Setting temperature
Fan mode setting
Timer mode and set time (set by wireless remote controller)
Airflow direction setting
Swing
ECONOMY operation
10 °C HEAT operation
Outdoor low noise operation
Remote control setting
WLAN LED setting

7-2. MANUAL AUTO operation

When the wireless remote controller is lost or battery power dissipated, this function will work without the remote controller.

When MANUAL AUTO button is pressed more than 3 seconds and less than 10 seconds, MANUAL AUTO operation starts as shown in the table below. To stop operation, press the MANUAL AUTO button for 3 seconds.

Operation mode	Auto changeover
Fan mode	AUTO
Timer mode	Continuous (no timer setting available)
Setting temperature	24°C
Vertical airflow direction louver setting	Standard
SWING	Off
ECONOMY	Off
Human sensor	Off

7-3. Forced cooling operation

The outdoor unit may not operate depending on the room temperature.

When FORCED COOLING OPERATION button is pressed more than 10 seconds, forced cooling operation starts as shown in the table below.

Operation mode	Cooling
Fan mode	HIGH
Timer mode	Continuous (no timer setting available)
Setting temperature	24°C
Vertical airflow direction louver setting	Standard
SWING	Off
ECONOMY	Off
Human sensor	Off

- During the forced cooling operation, it operates regardless of room temperature sensor.
- Operation LED and timer LED blink at the same time during the forced cooling operation. They blink for 1 second ON and 1 second OFF on both operation LED and timer LED (same as test operation).

By performing one of the following action, test operation will be canceled:

- Pressing the remote controller START/STOP button
- Pressing FORCED COOLING OPERATION button for 3 seconds
- 60 minutes passed after starting forced cooling operation

NOTE: When HEAT operation is selected on the remote controller during forced cooling operation, heating test run will begin in about 3 minutes.

7-4. 10 °C HEAT operation

10 °C HEAT operation performs as below setting when pressing 10 °C HEAT button.

Operation mode	Heating
Setting temperature	10°C
Fan mode	AUTO
LED display	Economy
Defrost operation	Operate as normal

7-5. ECONOMY operation

The ECONOMY operation starts by pressing ECONOMY button on the remote controller.

The ECONOMY operation is almost the same operation as below settings.

Mode	Cooling/Dry	Heating
Target temperature	Setting temperature +1°C	Setting temperature -1°C

7-6. POWERFUL operation

The POWERFUL operation starts by pressing POWERFUL button on the remote controller. The indoor unit and outdoor unit operate at maximum power as shown in the table below.

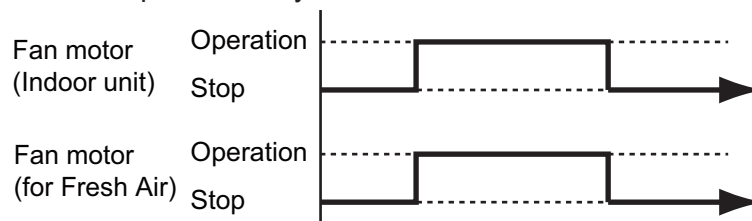
Compressor frequency		Maximum
Fan mode		POWERFUL
Vertical airflow direction louver setting	Cooling	3
	Dry	
	Heating	6

Release condition:

- Cooling/Dry
Room temperature \leq Setting temperature -0.5°C or Operation time has passed 20 minutes.
- Heating
Room temperature \geq Setting temperature $+0.5^{\circ}\text{C}$ or Operation time has passed 20 minutes.

7-7. Fresh air control

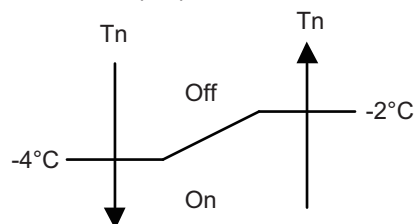
The fan motor for Fresh Air is operated in synchronization with the indoor fan operation as below.



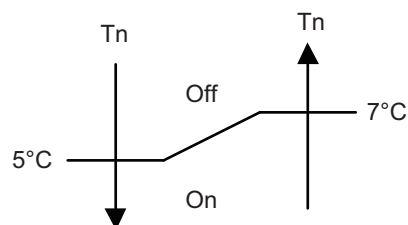
7-8. Compressor preheating

By preheating the compressor, warm airflow is quickly discharged when the operation is started.

- **Triggering condition**
 - 30 minutes after compressor stopped.
 - Outdoor unit heat exchanger temperature (T_n)

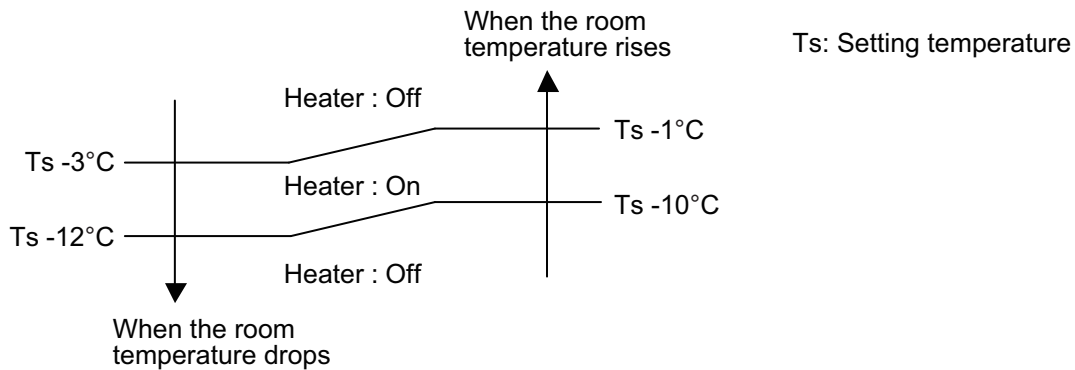


When the jumper wire (JM2) is disconnected:



7-9. External electrical heater control

The external electrical heater is operated as below.



NOTES:

- When the compressor stop, external electric heater is off.
- It operates only in heating mode and when the indoor fan operates. (However, S-LOW is excluded.)

7-10. Electronic expansion valve control

The most proper opening of the electronic expansion valve is calculated and controlled under the present operating condition based on the table below.

Operation mode	Pulse range
Cooling/dry mode	Between 52 and 480 pulses
Heating mode	Between 52 and 480 pulses

NOTE: At the time of supplying the power to the outdoor unit, the initialization of the electronic expansion valve is operated (528 pulses are input to the closing direction).

7-11. Prevention to restart for 3 minutes (3 minutes st)

When the compressor fails to start for the number of times below, it does not enter operation status for 3 minutes.

- **Models: AOYG07KETA, AOYG09KETA, and AOYG12KETA**

Retry number	10
Retry set number	10

- **Model: AOYG14KETA**

Retry number	50
Retry set number	3

When the compressor fails to start in the retry set number above, the compressor is stopped.

7-12. 4-way valve control

- If heating mode is selected at the compressor start, 4-way valve is energized for heating.
- When the air conditioner is switched between cooling and heating mode, compressor is stopped, and the 4-way valve is switched when the 140 seconds passes and the compressor is started.

7-13. Outdoor unit low noise operation

The outdoor unit low noise operation functions by OUTDOOR UNIT LOW NOISE button on the remote controller.

This operation stops the PFC control, and changes the current value.

Operation mode	Current	
	Trigger condition	Release condition
Cooling/Dry mode	1.9 A	1.4 A
Heating mode		

8. Various protections

8-1. Discharge gas temperature over-rise prevention control

The discharge gas temperature sensor (discharge thermistor: outdoor unit side) detects the discharge gas temperature.

- When the discharge temperature becomes higher than the trigger condition, the rotation number of compressor is decreased as the table below, and it continues to decrease until the discharge temperature becomes lower than the trigger condition.
- When the discharge temperature becomes lower than the release condition, control of compressor rotation number is released.
- When the discharge temperature becomes higher than the compressor protection temperature, the compressor is stopped and the indoor unit LED starts blinking.

Trigger condition	104°C
Rotation number of compressor	-20 rps/120 seconds
Release condition	101°C
Compressor protection temperature	110°C

8-2. Anti-freezing control (cooling and dry mode)

The rotation number of compressor is decrease in cooling and dry mode when the indoor unit heat exchanger temperature sensor detects the temperature lower than the trigger condition.

When the indoor unit heat exchanger temperature reaches release condition, the anti-freezing control is stopped.

Trigger condition	4°C	
Release condition	Outdoor temp. $\geq 10^{\circ}\text{C}^{*1}$	7°C
	Outdoor temp. $\geq 12^{\circ}\text{C}^{*2}$	
	Outdoor temp. $< 10^{\circ}\text{C}^{*1}$	13°C
	Outdoor temp. $< 12^{\circ}\text{C}^{*2}$	

*1: During the outdoor temperature dropping

*2: During the outdoor temperature rising

8-3. Current release control

The rotation number of compressor is controlled so that the outdoor unit input current does not exceeds current limit value set according to the outdoor temperature.

The rotation number of compressor returns according to the operation mode, when the current becomes lower than the release value.

■ Models: AOYG07KETA, AOYG09KETA, AOYG12KETA, and AOYG14KETA

Operation mode	Outdoor temp. (Ta)	Trigger condition	Release condition
Cooling	$50^{\circ}\text{C} \leq \text{Ta}$	4.0 A	3.5 A
	$46^{\circ}\text{C} \leq \text{Ta} < 50^{\circ}\text{C}$	4.0 A	3.5 A
	$40^{\circ}\text{C} \leq \text{Ta} < 46^{\circ}\text{C}$	5.0 A	4.5 A
	$12^{\circ}\text{C} \leq \text{Ta} < 40^{\circ}\text{C}$	6.0 A	5.5 A
	$2^{\circ}\text{C} \leq \text{Ta} < 12^{\circ}\text{C}$	6.0 A	5.5 A
	$\text{Ta} < 2^{\circ}\text{C}$	6.0 A	5.5 A
Heating	$17^{\circ}\text{C} \leq \text{Ta}$	5.5 A	5.0 A
	$12^{\circ}\text{C} \leq \text{Ta} < 17^{\circ}\text{C}$	7.0 A	6.5 A
	$5^{\circ}\text{C} \leq \text{Ta} < 12^{\circ}\text{C}$	7.5 A	7.0 A
	$\text{Ta} < 5^{\circ}\text{C}$	8.5 A	8.0 A

8-4. Cooling pressure over-rise protection

When the outdoor unit heat exchanger temperature reaches trigger condition below, the compressor is stopped and trouble display is performed.

Trigger condition	65°C
-------------------	------

8-5. Compressor temperature protection

When the compressor temperature sensor detects higher than the trigger condition below, the compressor is stopped. When the compressor temperature sensor detects the release condition, the protection is released.

Trigger condition	108°C
Release condition	80°C (3 minutes after compressor stop)

8-6. High pressure protection

Trigger condition	Pressure switch: Off (Open: Higher than 4.2 MPa) Compressor stop
Release condition	Pressure switch: On (Close: Lower than 3.2 MPa) (3 minutes after compressor stop) Compressor restart

8-7. Low outdoor temperature protection

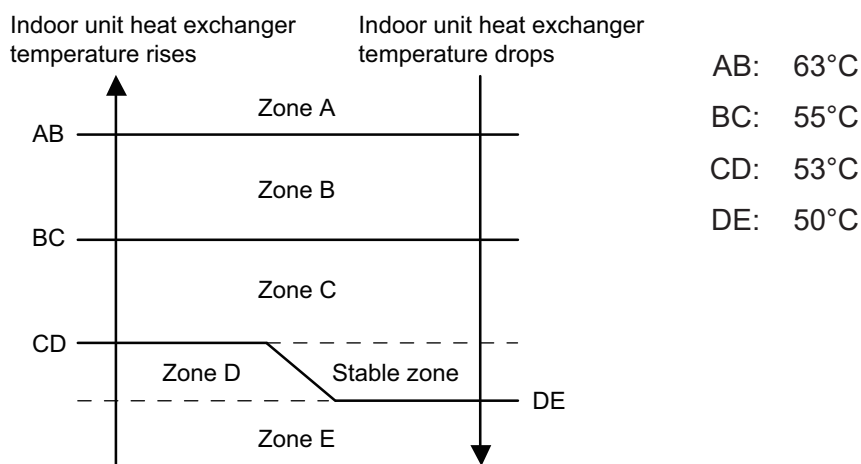
When the outdoor temperature sensor detects lower than the trigger condition below, the compressor is stopped.

Operation mode	Cooling/Dry
Trigger condition	-15°C
Release condition	-10°C

8-8. High temperature and high pressure release control

The compressor is controlled as follows.

■ Models: AOYG07KETA, AOYG09KETA, AOYG12KETA, and AOYG14KETA



Zone	Operation	
Zone A	Compressor is stopped.	
Zone B	The rotation number of compressor is decreased.	-25 rps/120 sec.
Zone C		-3 rps/60 sec.
Zone D	The protection is released and the operation is returned to normal mode.	
Zone E		

5. FILED WORKING

CONTENTS

5. FILED WORKING

1. Function settings	05-1
1-1. Function settings by using remote controller	05-1

1. Function settings

To adjust the functions of this product according to the installation environment, various types of function settings are available.

NOTE: Incorrect settings can cause a product malfunction.

1-1. Function settings by using remote controller

Some function settings can be changed on the remote controller. After confirming the setting procedure and the content of each function setting, select appropriate functions for your installation environment.

■ Setting procedure by using wireless remote controller

The function number and the associated setting value are displayed on the LCD of the remote controller. Follow the instructions written in the local setup procedure supplied with the remote controller, and select appropriate setting according to the installation environment.

Before connecting the power supply of the indoor unit, reconfirm following items:

- Cover for the electrical enclosure on the outdoor unit is in place.
- There is no wiring mistake.
- Piping air tight test and vacuuming have been performed firmly.
- All the necessary wiring work for outdoor unit has been finished.

After reconfirming the items listed above, connect the power supply of the indoor unit.

NOTES:

- Settings will not be changed if invalid numbers or setting values are selected.
- When optional wired remote controller is used, refer to the installation manual enclosed with the remote controller.

Entering function setting mode:

While pressing the POWERFUL button and TEMP. (^) button simultaneously, press the RESET button to enter the function setting mode.

Selecting the function number and setting value:

1. Press the TEMP. (^) (v) buttons to select the function number. To switch between the left and right digits, press the 10 °C HEAT button.
2. Press the POWERFUL button to proceed to value setting. To return the function number selection, press the POWERFUL button again.
3. Press the TEMP. (^) (v) buttons to select the setting value. To switch between the left and right digits, press the 10 °C HEAT button.
4. Press the MODE button once. Confirm that you hear the beep sound.
5. Press the START/STOP button to fix the function setting. Confirm that you hear the beep sound.
6. Press the RESET button to end the function setting mode.
7. After completing the function setting, be sure to disconnect the power supply and then reconnect it.



⚠ CAUTION

After disconnecting the power supply, wait 30 seconds or more before reconnecting it. The function setting will not become active unless the power supply is disconnected and then reconnected.

NOTES:

- The air conditioner custom code is set to \overline{H} prior to shipment.
- If you do not know the air conditioner custom code setting, try each of the custom codes ($\overline{H} \rightarrow \overline{b}$
 $\rightarrow \overline{c} \rightarrow \overline{d}$) until you find the code that operates the air conditioner.

■ Contents of function setting

Each function setting listed in this section is adjustable in accordance with the installation environment.

NOTE: Setting will not be changed if invalid numbers or setting values are selected.

● Function setting list

	Function no.	Functions
1)	00	Remote controller address setting
2)	11	Filter sign
3)	30/31	Room temperature control for indoor unit sensor
4)	35/36	Room temperature control for wired remote controller sensor
5)	40	Auto restart
6)	42	Room temperature sensor switching
7)	44	Remote controller custom code
8)	46	External input control
9)	48	Room temperature sensor switching (Aux.)
10)	49	Indoor unit fan control for energy saving for cooling

1) Remote controller address setting

NOTE: This setting is configurable only by wireless remote controller, but not configurable by Polar 3-wired remote controller.

Multiple indoor units can be operated by using one wired remote controller.

Set the unit number of each indoor unit.

Function number	Setting value	Setting description	Factory setting
00	00	Unit no. 0	◆
	01	Unit no. 1	
	02	Unit no. 2	
	03	Unit no. 3	
	04	Unit no. 4	
	05	Unit no. 5	
	06	Unit no. 6	
	07	Unit no. 7	
	08	Unit no. 8	
	09	Unit no. 9	
	10	Unit no. 10	
	11	Unit no. 11	
	12	Unit no. 12	
	13	Unit no. 13	
	14	Unit no. 14	
15	Unit no. 15		

NOTE: When different type of indoor units (such as wall mounted type and cassette type, cassette type and duct type, or other combinations) are connected using group control system, some functions may no longer be available.

2) Filter sign

Select appropriate intervals for displaying the filter sign on the indoor unit according to the estimated amount of dust in the air of the room.

If the indication is not required, select "No indication" (03).

Function number	Setting value	Setting description	Factory setting
11	00	Standard (400 hours)	
	01	Long interval (1,000 hours)	
	02	Short interval (200 hours)	
	03	No indication	◆

3) Room temperature control for indoor unit sensor

Depending on the installed environment, correction of the room temperature sensor may be required. Select the appropriate control setting according to the installed environment.

The temperature of the room temperature sensor is corrected as follows:

Corrected temp. = Temp. of the room temp. sensor - Correction temp. value

Example of correction:

When the temperature of the room temp. sensor is 26°C and the setting value is "03" (-1.0°C), corrected temp. will be 27°C (26°C - [-1.0°C]).

The temperature correction values show the difference from the Standard setting "00" (manufacturer's recommended value).

Function number		Setting value	Setting description	Factory setting	
30 (For cooling)	31 (For heating)	00	Standard setting	◆	
		01	No correction 0.0 °C		
		02	-0.5 °C	More cooling Less heating	
		03	-1.0 °C		
		04	-1.5 °C		
		05	-2.0 °C		
		06	-2.5 °C		
		07	-3.0 °C		
		08	-3.5 °C		
		09	-4.0 °C		
		10	+0.5 °C	Less cooling More heating	
		11	+1.0 °C		
		12	+1.5 °C		
		13	+2.0 °C		
		14	+2.5 °C		
		15	+3.0 °C		
		16	+3.5 °C		
17	+4.0 °C				

4) Room temperature control for wired remote controller sensor

Depending on the installed environment, correction of the wire remote temperature sensor may be required. Select the appropriate control setting according to the installed environment.

To change this setting, set Function 42 to Both "01".

Ensure that the Thermo Sensor icon is displayed on the remote controller screen.

Function number		Setting value	Setting description	Factory setting	
35 (For cooling)	36 (For heating)	00	Standard setting	◆	
		01	No correction 0.0°C		
		02	-0.5 °C	More cooling Less heating	
		03	-1.0 °C		
		04	-1.5 °C		
		05	-2.0 °C		
		06	-2.5 °C		
		07	-3.0 °C		
		08	-3.5 °C		
		09	-4.0 °C		
		10	+0.5 °C	Less cooling More heating	
		11	+1.0 °C		
		12	+1.5 °C		
		13	+2.0 °C		
		14	+2.5 °C		
		15	+3.0 °C		
		16	+3.5 °C		
17	+4.0 °C				

5) Auto restart

Enables or disables automatic restart after a power interruption.

Function number	Setting value	Setting description	Factory setting
40	00	Enable	◆
	01	Disable	

NOTE: Auto restart is an emergency function such as for power outage etc. Do not attempt to use this function in normal operation. Be sure to operate the unit by remote controller or external device.

6) Room temperature sensor switching

(Only for wired remote controller)

When using the wired remote controller temperature sensor, change the setting to "Both" (01).

Function number	Setting value	Setting description	Factory setting
42	00	Indoor unit	◆
	01	Both	

00: Sensor on the indoor unit is active.

01: Sensors on both indoor unit and wired remote controller are active.

NOTE: Remote controller sensor must be turned on by using the remote controller.

7) Remote controller custom code

(Only for wireless remote controller)

The indoor unit custom code can be changed. Select the appropriate custom code.

Function number	Setting value	Setting description	Factory setting
44	00	A	◆
	01	B	
	02	C	
	03	D	

8) External input control

"Operation/Stop" mode or "Forced stop" mode can be selected.

Function number	Setting value	Setting description	Factory setting
46	00	Operation/Stop mode 1	◆
	01	(Setting prohibited)	
	02	Forced stop mode	
	03	Operation/Stop mode 2	

NOTE: If this function is necessary, the rotary switch on the External input and output PCB should be set to 1.

9) Room temperature sensor switching (Aux.)

To use the temperature sensor on the wired remote controller only, change the setting to "Wired remote controller" (01).

This function will only work if the function setting 42 is set at "Both" (01).

When the setting value is set to "Both" (00), more suitable control of the room temperature is possible by setting function setting 30 and 31 too.

Function number	Setting value	Setting description	Factory setting
48	00	Both	◆
	01	Wired remote controller	

10) Indoor unit fan control for energy saving for cooling

Enables or disables the power-saving function by controlling the indoor unit fan rotation when the outdoor unit is stopped during cooling operation.

Function number	Setting value	Setting description	Factory setting
49	00	Disable	
	01	Enable	
	02	Remote controller	

00: When the outdoor unit is stopped, the indoor unit fan operates continuously following the setting on the remote controller.

01: When the outdoor unit is stopped, the indoor unit fan operates intermittently at a very low speed.

02: Enable or disable this function by remote controller setting.

NOTE: Set to "00" or "01" when connecting a remote controller that cannot set the Fan control for energy saving function or connecting a network converter. To confirm if the remote controller has this setting, refer to the operating manual of each remote controller.