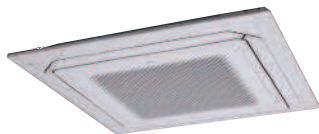


AIR CONDITIONER
Cassette type

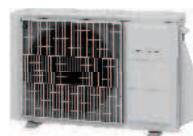
SERVICE MANUAL

INDOOR



AUXG18KRLB
AUXG22KRLB

OUTDOOR



AOYG18KATA



AOYG22KATA

Notices:

- Product specifications and design are subject to change without notice for future improvement.
- For further details, please check with our authorized dealer.

Trademarks

FGLair™ is trademark of Fujitsu General Limited in the United States, other countries or both.

Google Play™ is trademark of Google LLC.

App Store® is a service mark of Apple Inc., registered in the U.S. and other countries.

CONTENTS

1. GENERAL INFORMATION

2. TECHNICAL DATA AND PARTS LIST

1. GENERAL INFORMATION

CONTENTS

1. GENERAL INFORMATION

1. Specifications	01-1
1-1. Indoor unit	01-1
1-2. Outdoor unit.....	01-3
2. Dimensions	01-4
2-1. Indoor unit	01-4
2-2. Outdoor unit.....	01-7

1. Specifications

1-1. Indoor unit

Type				Cassette		
				Inverter heat pump		
Model name				AUXG18KRLB	AUXG22KRLB	
Power supply				230 V ~ 50 Hz		
Power supply intake				Outdoor unit		
Available voltage range				198—264 V		
Capacity	Cooling	Rated	kW	5.2	6.0	
			Btu/h	17,700	20,500	
		Min.—Max.	kW	0.90—5.40	0.90—6.30	
	Heating	Rated	Btu/h	3,100—18,400	3,100—21,400	
			kW	6.0	7.0	
		Min.—Max.	kW	0.90—6.30	0.90—7.40	
Input power	Cooling	Rated	kW	1.60	1.85	
				Max.	2.33	2.67
		Rated		1.66	1.93	
	Heating	Rated		2.33	2.67	
				Max.	2.33	2.67
		Max.		2.33	2.67	
Current	Cooling	Rated	A	7.4	8.2	
	Heating			7.7	8.5	
Power factor	Cooling			94.0	98.1	
	Heating			93.7	98.7	
EER	Cooling			3.25	3.24	
COP	Heating			3.61	3.63	
Moisture removal			L/h (pints/h)	1.5 (2.6)	2.2 (3.9)	
Maximum operating current *1	Cooling			10.1	11.6	
	Heating			10.1	11.6	
Fan	Airflow rate	Cooling	m ³ /h	HIGH	1,050	
				MED	960	
				LOW	900	
				QUIET	780	
		Heating		HIGH	1,050	
				MED	960	
				LOW	900	
				QUIET	780	
	Type × Q'ty				Turbo fan × 1	
	Motor output		W		81	
Sound pressure level *2	Cooling	dB (A)	HIGH	33		
			MED	32		
			LOW	31		
			QUIET	28		
	Heating		HIGH	33		
			MED	32		
			LOW	31		
			QUIET	28		
Heat exchanger type	Dimensions (H × W × D)		mm	Main 1: 210 × 2,127 × 13.3		
	Fin pitch			Main 2: 210 × 2,061 × 13.3		
	Rows × Stages			Main 1: 1.2		
				Main 2: 1.2		
	Pipe type			Main 1: 1 × 10		
	Fin type			Main 2: 1 × 10		
Dimensions (H × W × D)	Net		mm	246 × 840 × 840		
	Gross			298 × 960 × 950		
Weight	Net		kg	23		
	Gross			28		
Connection pipe	Size	Liquid	mm (in)	Ø 6.35 (Ø 1/4)		
		Gas		Ø 12.70 (Ø 1/2)		
	Method			Flare		
Drain hose	Material		PVC(VP25)			
	Size		mm			
Operation range	Cooling			Ø 25 (I.D.), Ø 32 (O.D.)		
				18 to 32		
	Heating			80 or less		
				16 to 30		
Cassette grille (Option)	Material		Polystyrene			
	Color		White			
			Approximate color of MUNSELL N 9.25/			
	Dimensions (H × W × D)	Net	mm	53 × 950 × 950		
		Gross		110 × 1,000 × 1,010		
	Weight	Net	kg	6.0		
Gross		10.0				
Remote control (Option)				Wired remote controller, Wireless remote controller, Mobile app*3 (FGLair™)		

NOTES:

- Specifications are based on the following conditions:
 - Cooling: Indoor temperature of 27 °CDB/19 °CWB, and outdoor temperature of 35 °CDB/24 °CWB.
 - Heating: Indoor temperature of 20 °CDB/15 °CWB, and outdoor temperature of 7 °CDB/6 °CWB.
 - Pipe length: 5.0 m, Height difference: 0 m. (Between outdoor unit and indoor unit.)
- Protective function might work when using it outside the operation range.
- *1: Maximum operating current is the total current of the indoor unit and the outdoor unit.
- *2: Sound pressure level:
 - Measured values in manufacturer's anechoic chamber.
 - Because of the surrounding sound environment, the sound levels measured in actual installation conditions might be higher than the specified values here.
- *3: Available on Google Play™ store or on App Store®. Optional WLAN Adapter is also required. For details, refer to the setting manual.

Specifications for ErP Lot10				
Model name		AUXG18KRLB		AUXG22KRLB
Energy efficiency class	Cooling	A ⁺⁺		
	Heating (Average)	A ⁺		
P _{design}	Cooling	kW	5.2 (35°C)	6.0 (35°C)
	Heating (Average)		3.8 (-10°C)	4.4 (-10°C)
SEER	Cooling	kWh/kWh	6.20	6.20
SCOP	Heating (Average)		4.10	4.10
Annual energy consumption	QCE	kWh/a	293	338
	QHE (Average)		1,297	1,502
Sound power level	Cooling	HIGH	dB (A)	47
	Heating			47

1-2. Outdoor unit

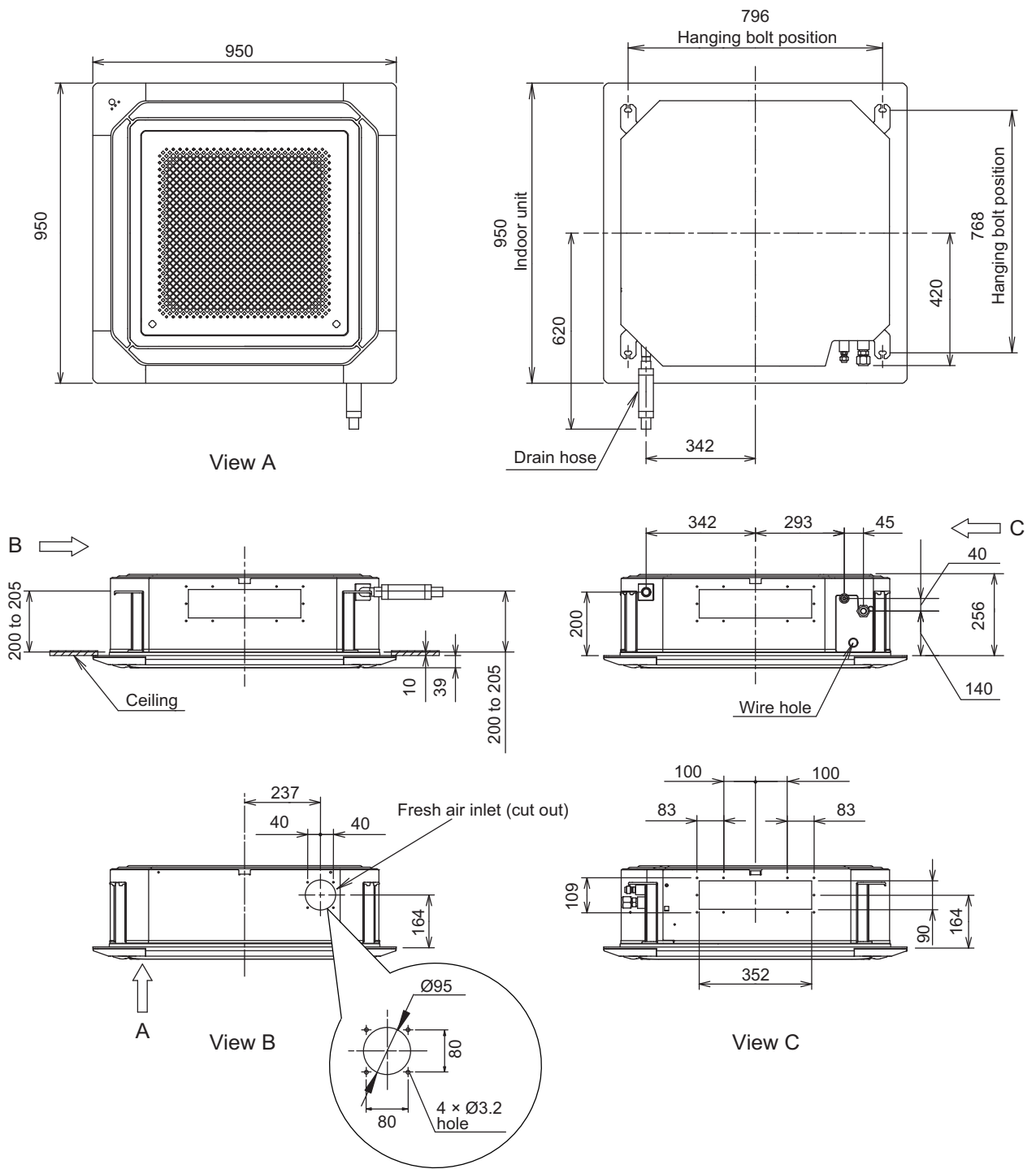
Type				Inverter heat pump			
Model name				AOYG18KATA		AOYG22KATA	
Power supply				230 V ~ 50 Hz			
Available voltage range				198—264 V			
Starting current				A		7.7	
Fan	Airflow rate	Cooling	m ³ /h	1,710		2,240	
		Heating		1,840		2,240	
	Type × Q'ty	Propeller fan × 1					
	Motor output	W		23		49	
Sound pressure level *1	Cooling	Heating	dB (A)	51		52	
				52		53	
Sound power level	Cooling	Heating	dB (A)	63		64	
				64		65	
Heat exchanger type	Dimensions (H × W × D)	mm	Main 1: 504 × 881 × 18.19		Main 1: 588 × 881 × 18.19		
			Main 2: 504 × 851 × 18.19		Main 2: 588 × 851 × 18.19		
	Fin pitch	Main 1: 1.3 Main 1: 1.3					
	Rows × Stages	Main 1: 1 × 24		Main 1: 1 × 28		Main 2: 1 × 28	
	Pipe type	Copper tube					
	Fin type	Type (Material)	Aluminum				
Compressor	Type × Q'ty	W		DC rotary × 1		DC twin rotary × 1	
	Motor output	900					
Refrigerant	Type (Global warming potential)	R32 (675)					
	Charge	g		900		1,100	
Refrigerant oil	Type	cm ³		RB68A		FW68S	
	Amount	340		340		350	
Enclosure	Material	Steel sheet					
	Color	Beige Approximate color of Munsell 10YR 7.5/1.0					
Dimensions (H × W × D)	Net	mm	542 × 799 × 290		632 × 799 × 290		
	Gross		602 × 940 × 375		692 × 940 × 375		
Weight	Net	kg	33		36		
	Gross		36		40		
Connection pipe	Size	Liquid	mm (in)	Ø 6.35 (Ø 1/4)			
		Gas		Ø 12.70 (Ø 1/2)			
	Method	Flare					
	Pre-charge length	m		15			
	Max. length	20		25			
Max. height difference	15		20				
Operation range	Cooling	Heating	°C	-10 to 46			
				-15 to 24			
Drain hose	Material	PP					
	Size	mm		Ø 13.0 (I. D.), Ø 16.0 to Ø 16.8 (O. D.)			
NOTES:							
<ul style="list-style-type: none"> • Specifications are based on the following conditions: <ul style="list-style-type: none"> – Cooling: Indoor temperature of 27 °CDB/19 °CWB, and outdoor temperature of 35 °CDB/24 °CWB. – Heating: Indoor temperature of 20 °CDB/15 °CWB, and outdoor temperature of 7 °CDB/6 °CWB. – Pipe length: 5.0 m, Height difference: 0 m (Between outdoor unit and indoor unit.). • Protective function might work when using it outside the operation range. • *1: Sound pressure level <ul style="list-style-type: none"> – Measured values in manufacturer's anechoic chamber. – Because of the surrounding sound environment, the sound levels measured in actual installation conditions might be higher than the specified values here. 							

2. Dimensions

2-1. Indoor unit

■ Models: AUXG18KRLB and AUXG22KRLB

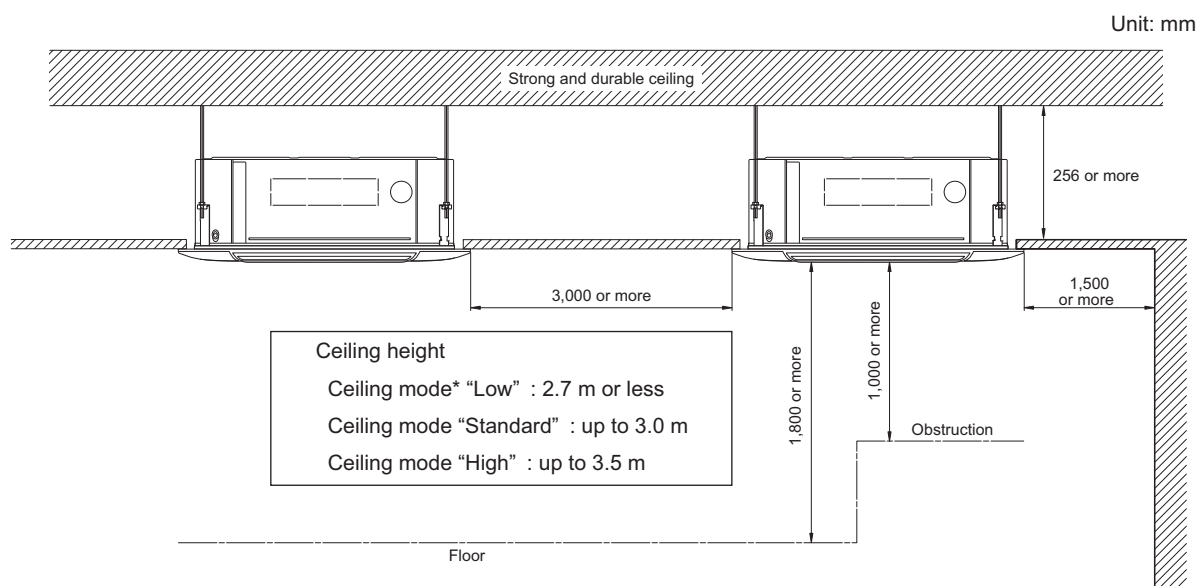
Unit: mm



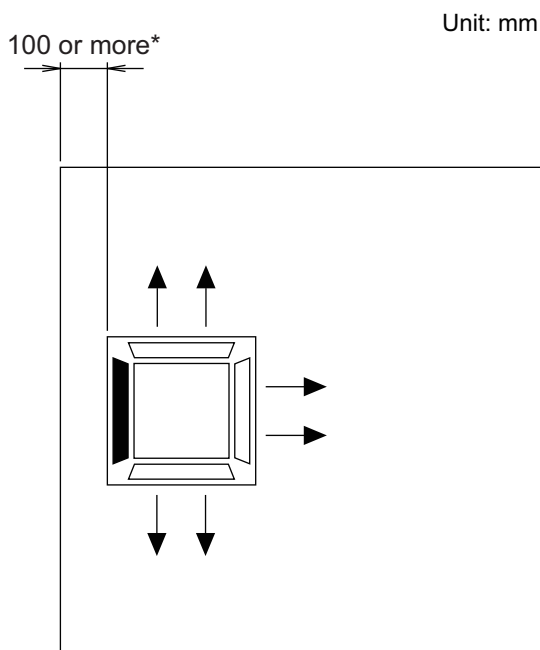
■ Installation space requirement

Provide sufficient installation space for product safety.

- For 4-direction setting:



- For 3-direction setting:

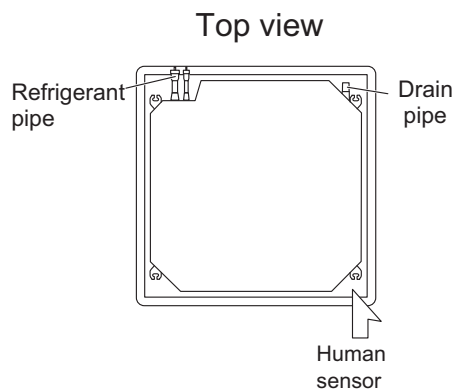


NOTES:

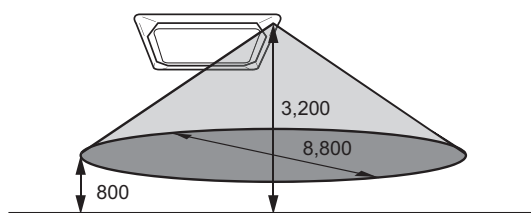
- To set "3-direction", optional Air Outlet Shutter Plate (UTR-YDZK) must be installed, and the "outlet-direction" need to be switched to "3-way" by remote controller.
- *: When installing the indoor unit, be careful about the maintenance space.
- The ceiling height cannot be set in the 3-way outlet mode. Therefore, ceiling height setting change by function setting 20 is prohibited.

- **Human sensor (Option)**

NOTE: A separate device capable of controlling the human sensor (energy saving) function, such as the Touch Panel Controller, is required for use.



Example of sensitivity range:



Equal sensitivity range of temperature	Ceiling height	3,200 mm
	Detecting position	800 mm from floor surface

NOTE: When the installation height gets higher, the temperature sensitivity decreases.

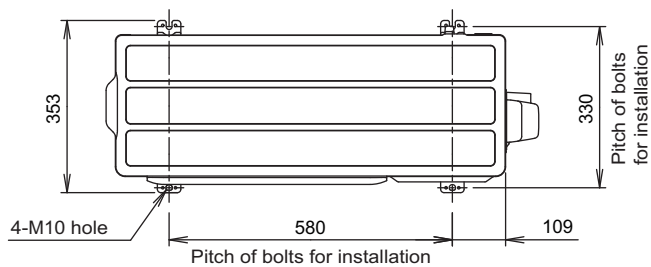
⚠ CAUTION

Do not place large objects near the human sensor. Also keep heating units outside the sensor's detection area.

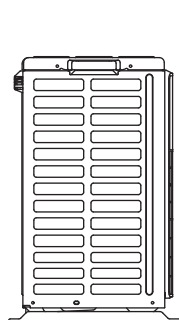
2-2. Outdoor unit

■ AOYG18KATA

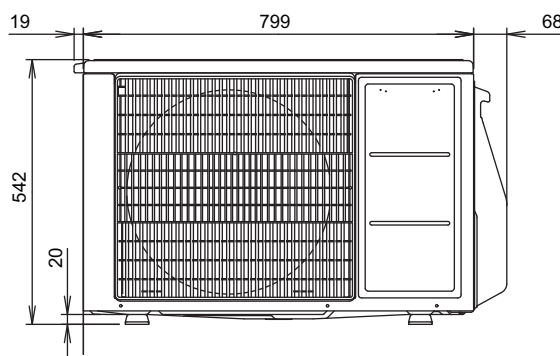
Unit: mm



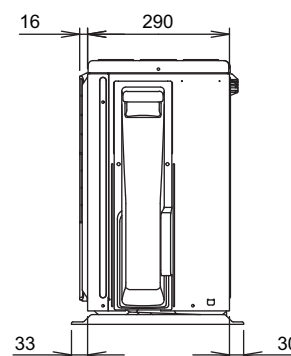
Top view



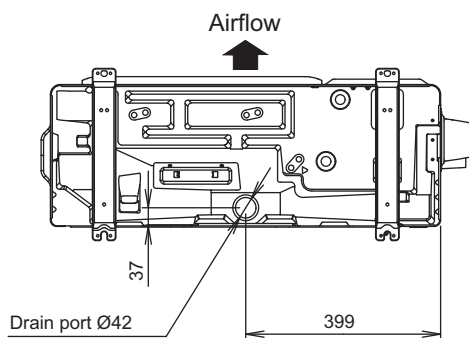
Side view



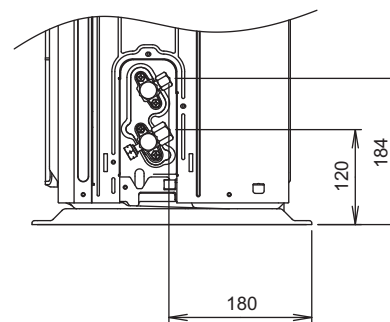
Front view



Side view



Bottom view



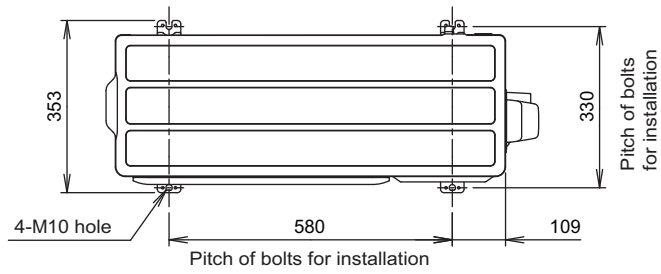
Side view (Valve part)

■ Model: AOYG22KATA

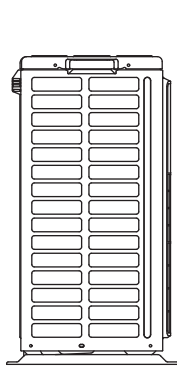
Unit: mm

GENERAL INFORMATION

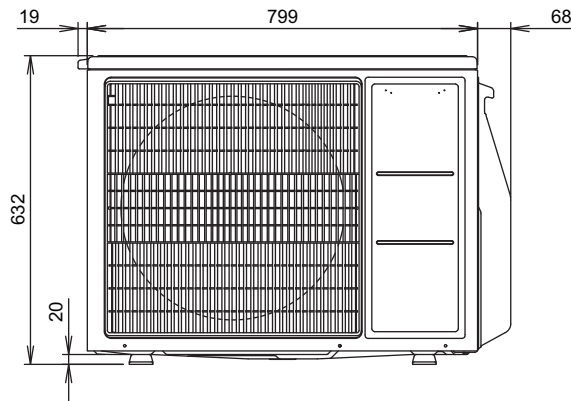
GENERAL INFORMATION



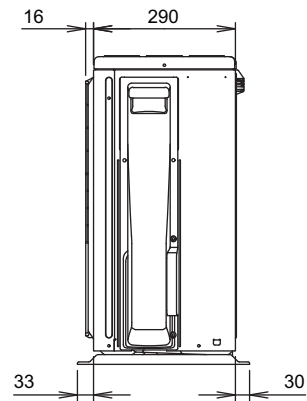
Top view



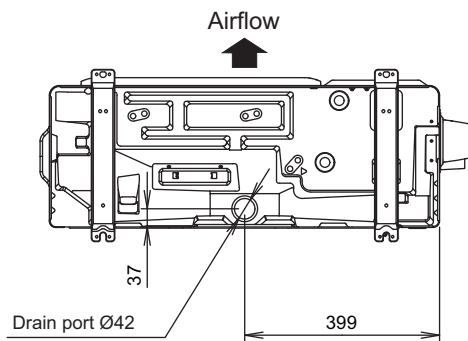
Side view



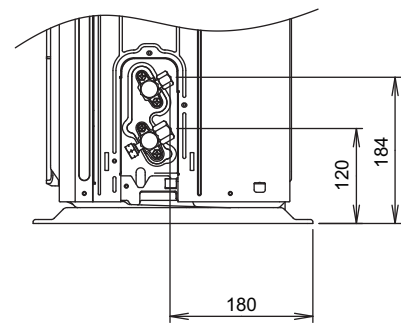
Front view



Side view



Bottom view



Side view (Valve part)

2. TECHNICAL DATA AND PARTS LIST

CONTENTS

2. TECHNICAL DATA AND PARTS LIST

1. Precautions	02-1
2. Indoor unit parts list	02-2
2-1. Models: AUXG18KRLB and AUXG22KRLB	02-2
3. Outdoor unit parts list	02-6
3-1. Model: AOYG18KATA	02-6
3-2. Model: AOYG22KATA	02-10
4. Accessories	02-14
4-1. Indoor unit	02-14
4-2. Outdoor unit.....	02-14
5. Optional parts	02-15
5-1. Indoor unit	02-15
6. Refrigerant system diagrams	02-19
6-1. Model: AOYG18KATA	02-19
6-2. Model: AOYG22KATA	02-20
7. Wiring diagrams	02-21
7-1. Indoor unit	02-21
7-2. Outdoor unit.....	02-22
8. PC board diagrams	02-24
8-1. Models: AUXG18KRLB and AUXG22KRLB	02-24
8-2. Model: AOYG18KATA	02-25
8-3. Model: AOYG22KATA	02-26

1. Precautions

When you start servicing, pay attention to the following points. For detailed precautions, refer to the installation manual of the products.

⚠ CAUTION

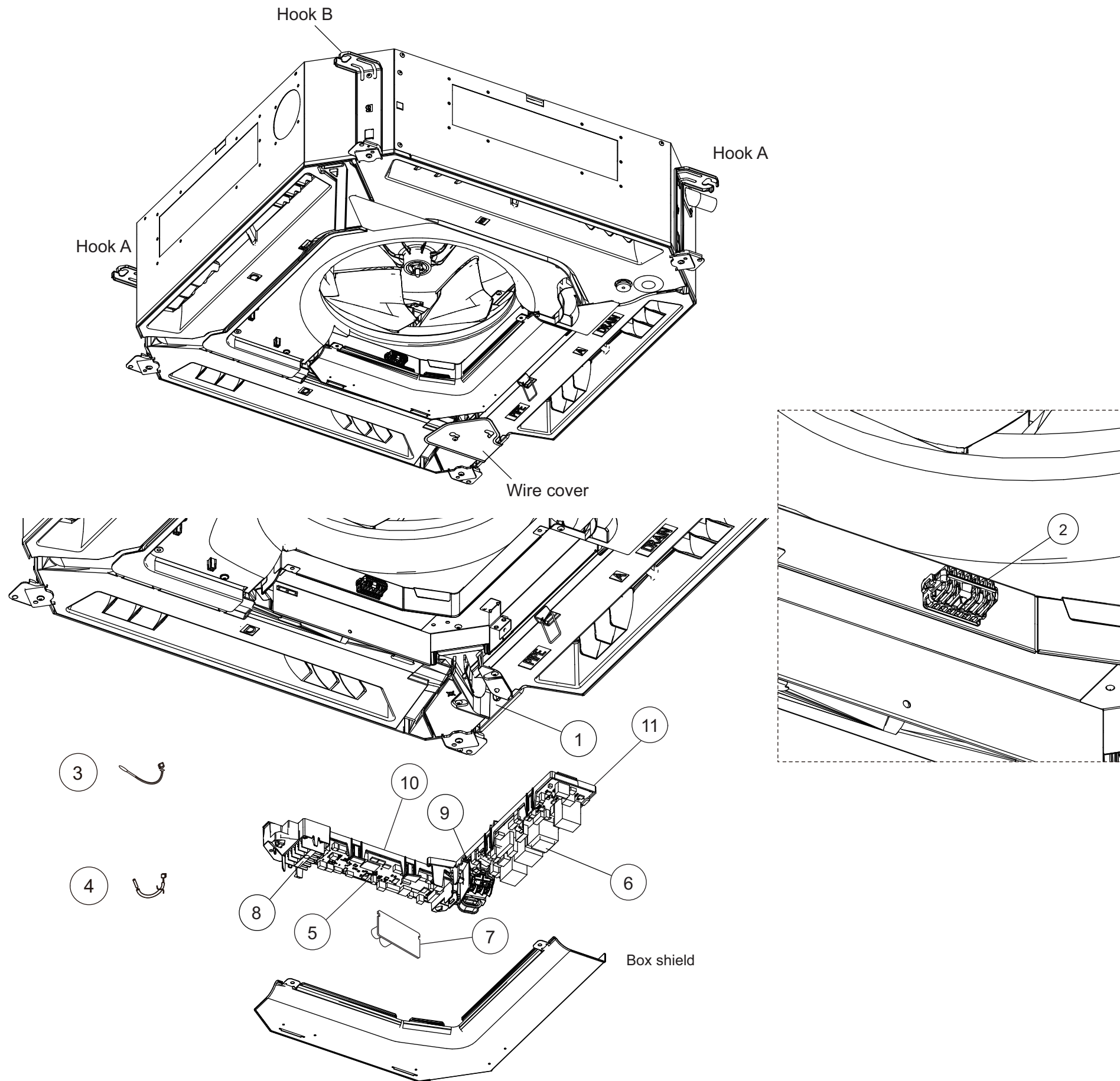
-
- Service personnel
 - Any person who is involved with working on or breaking into a refrigerant circuit should hold a current valid certificate from an industry-accredited assessment authority, which authorizes their competence to handle refrigerants safely in accordance with an industry recognized assessment specification.
 - Servicing shall only be performed as recommended by the equipment manufacturer. Maintenance and repair requiring the assistance of other skilled personnel shall be carried out under the supervision of the person competent in the use of flammable refrigerants.
 - Servicing shall be performed only as recommended by the manufacturer.
 - Work
 - Prior to beginning work on systems containing flammable refrigerants, safety checks are necessary to ensure that the risk of ignition is minimized. When repairing the refrigerant system, refer to the precautions written in the installation manual of the products before you start servicing.
 - Work shall be undertaken under a controlled procedure so as to minimize the risk of a flammable gas or vapor being present while the work is being performed.
 - All maintenance staff and others working in the local area shall be instructed on the nature of work being carried out.
 - Work in confined spaces shall be avoided.
 - The area around the workspace shall be sectioned off.
 - Ensure that the conditions within the area have been made safe by control of flammable material.
 - Electric shock may occur. After turning off the power, always wait 5 minutes before touching electrical components.
 - Do not touch the fins of the heat exchanger. Touching the heat exchanger fins could result in damage to the fins or personal injury such as skin rupture.
 - Do not place any other electrical products or household belongings under the product.
 - Condensation dripping from the product might get them wet, and may cause damage or malfunction to the property.
 - Checking for presence of refrigerant
 - The area shall be checked with an appropriate refrigerant leak detector prior to and during work, to ensure the technician is aware of potentially flammable atmospheres.
 - Ensure that the leak detector being used is suitable for use with flammable refrigerants, i.e. non-sparking, adequately sealed or intrinsically safe.
-
- Service parts information and design are subject to change without notice for product improvement.
 - For the latest information of the service parts, refer to our Service Portal.
<https://fujitsu-general.force.com/portal/>
 - Precise figure of the service parts listed in this manual may differ from the actual service parts.

2. Indoor unit parts list

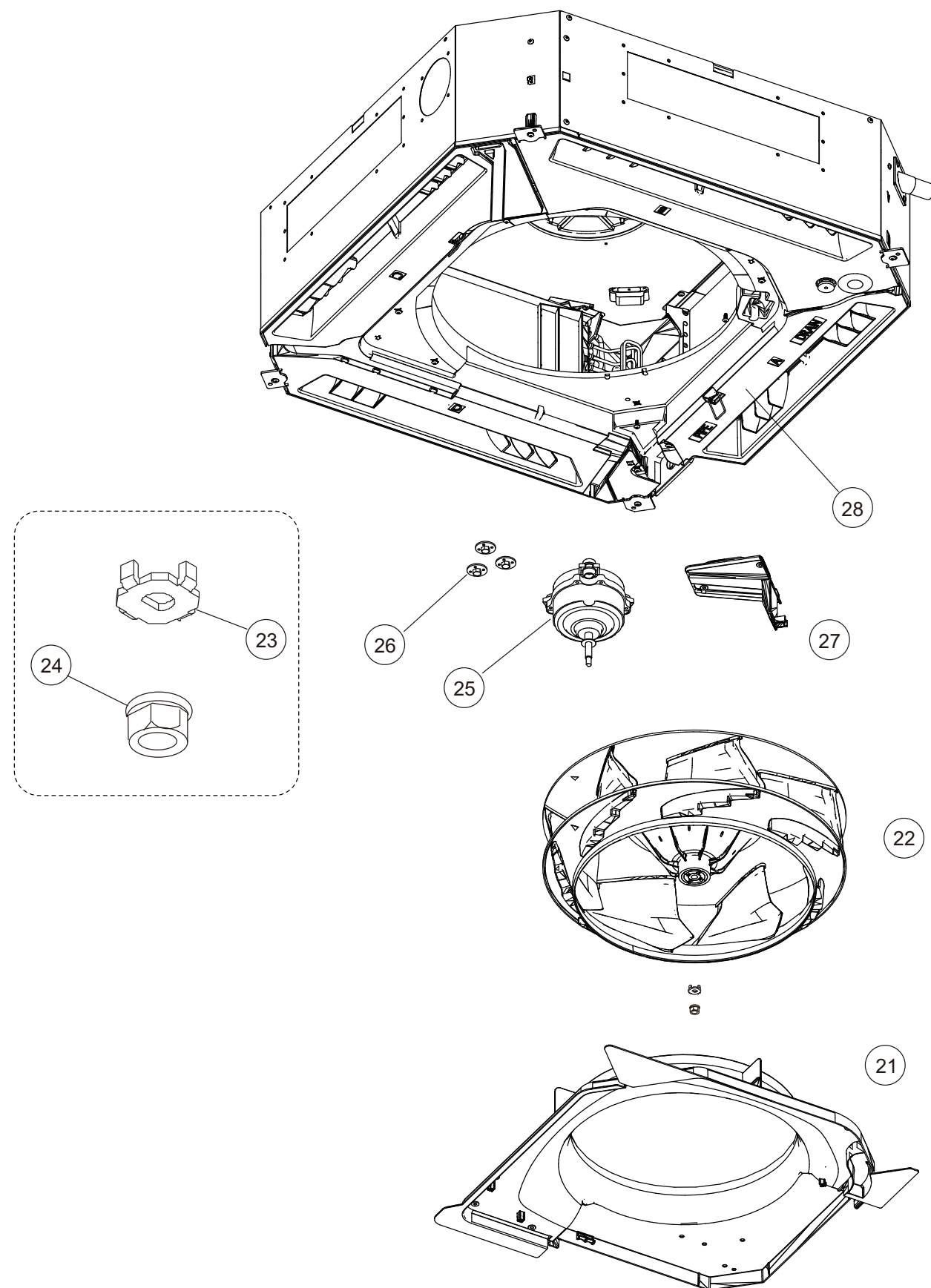
2-1. Models: AUXG18KRLB and AUXG22KRLB

TECHNICAL DATA
AND PARTS LIST

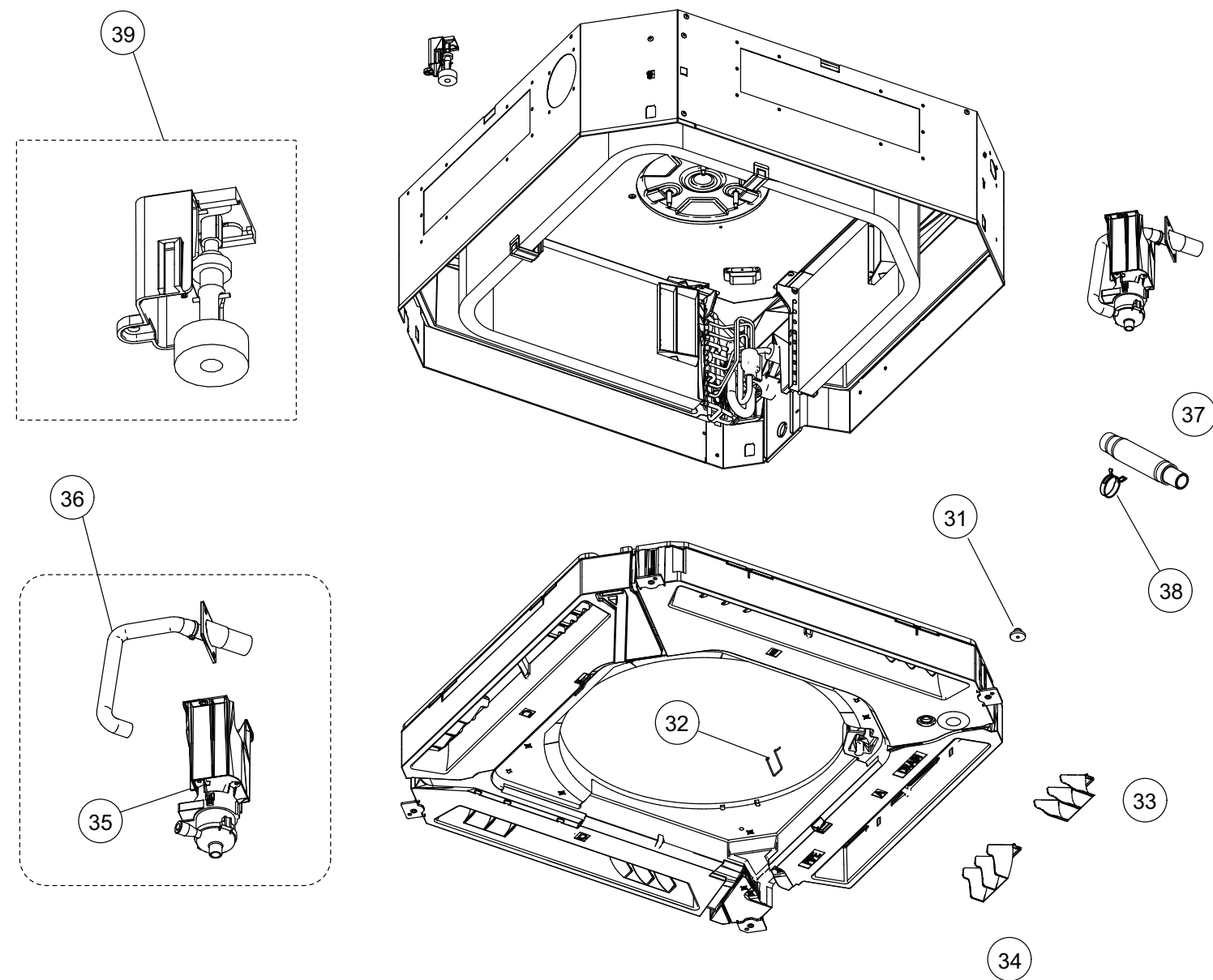
TECHNICAL DATA
AND PARTS LIST



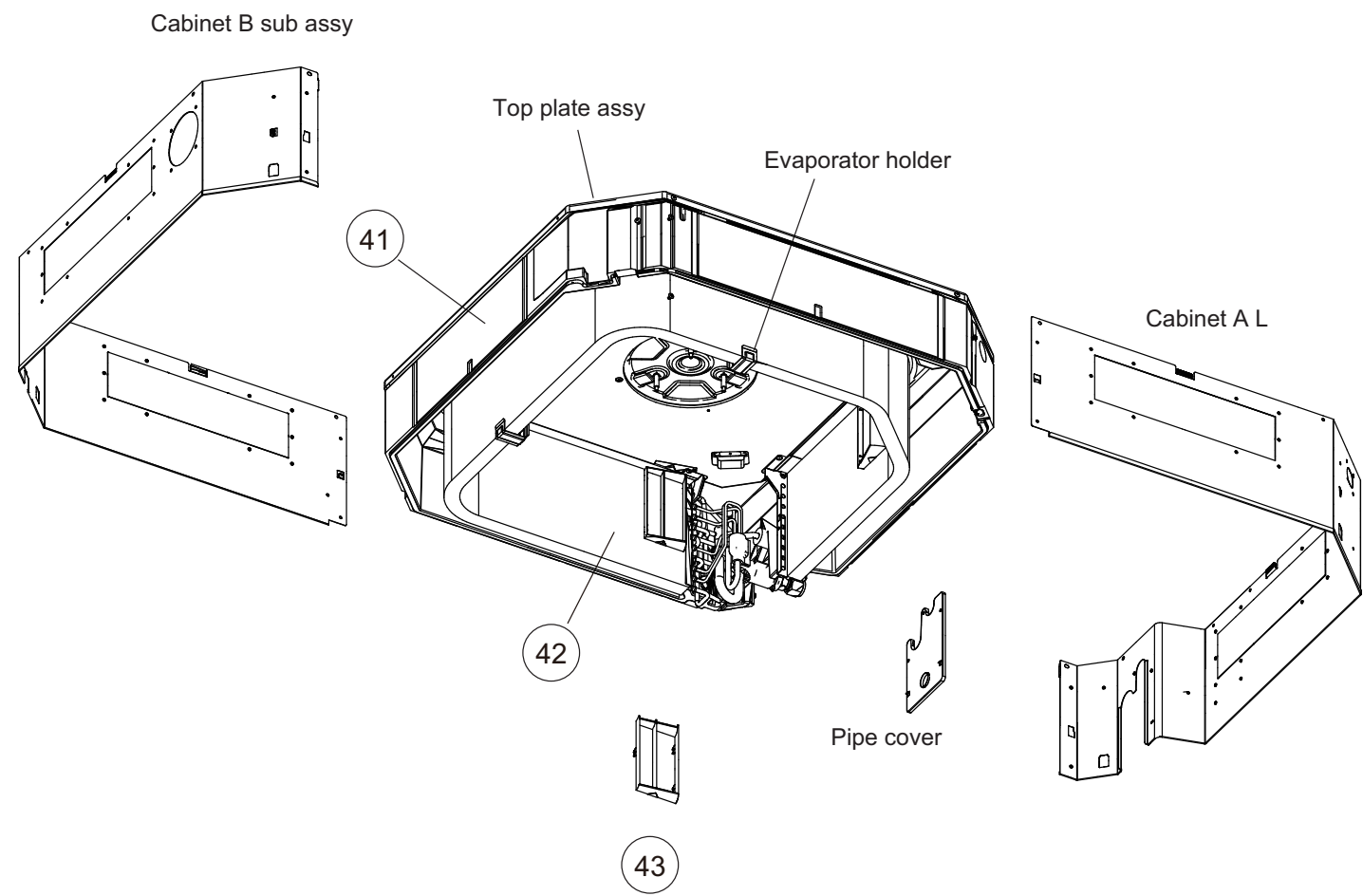
Ref.	Description	Part number
1	Cable guide	9381376001
2	Room thermistor Holder	9381348008
3	Room thermistor	9900822002
4	Pipe Thermistor	9900942014
5	Main PCB (AUXG18KRLB)	9710995835
5	Main PCB (AUXG22KRLB)	9710995712
6	Power PCB	9710022005
7	PCB (Non-polar 2-wire)	9710019005
8	Remote terminal 5P	9900896003
9	Power Terminal 3P	9900720032
10	Main PCB holder	9381350001
11	Power PCB Holder	9381349005



Ref.	Description	Part number
21	Bellmouth	9381484003
22	Turbo fan assy	9381303007
23	Turbo Fan Washer	9378394018
24	Nut	9356998009
25	Brushless motor	9603443009
26	Special Nut	9378388017
27	Motor Wire Holder	9381351008
28	Drain pan sub assy	9381789009



Ref.	Description	Part number
31	Drain Cap	9375502010
32	Panel Hook	9375671013
33	Vane L	9381745012
34	Vane R	9381744008
35	Drain Pump Sub Assy	9381793006
36	Drain Port Sub Assy	9381788002
37	Drain Hose	9379665001
38	Hose Band	9379757010
39	Float Switch Sub Assy	9381794003

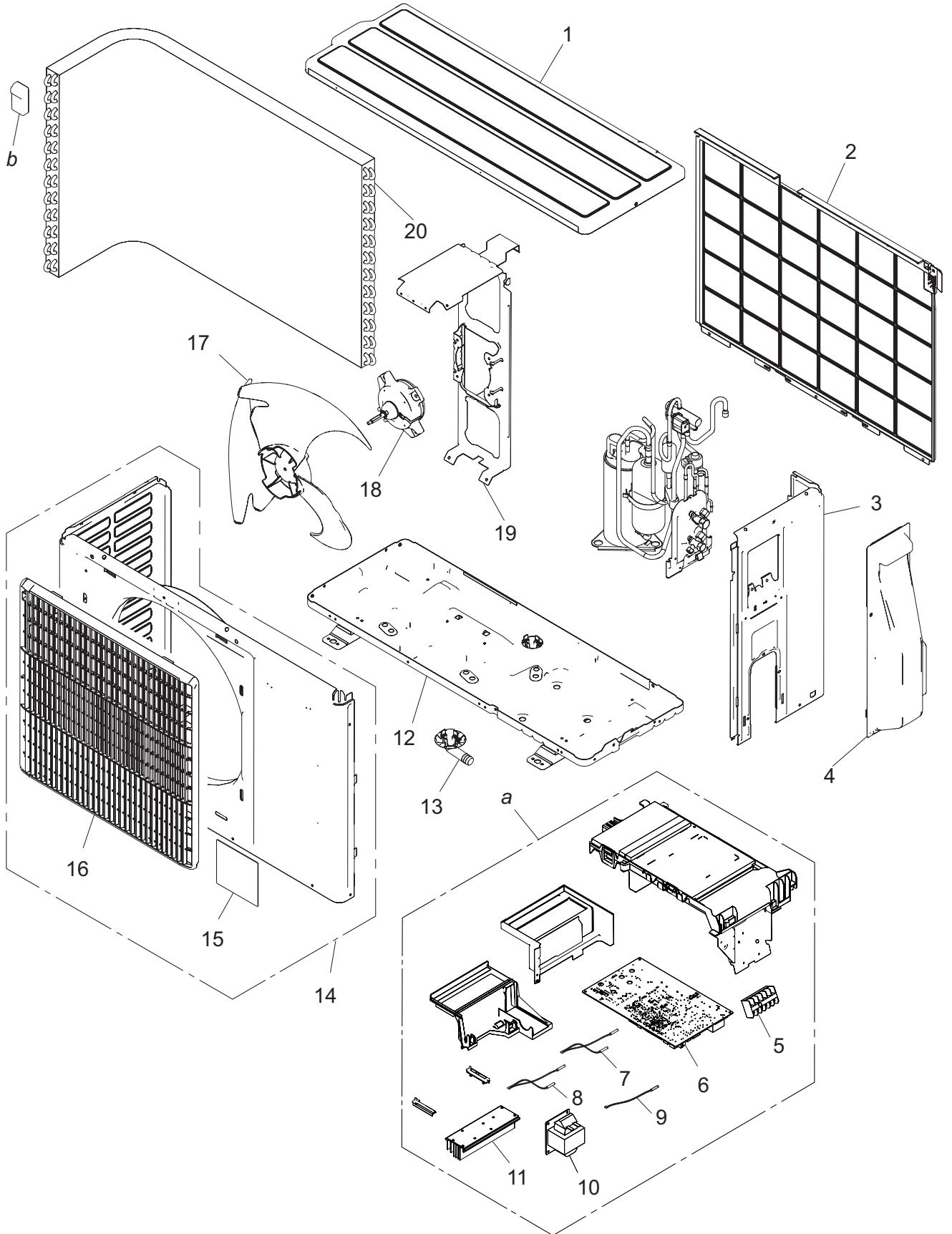


Ref.	Description	Part number
41	Insulation Box Sub Assy	9381787012
42	Evaporator Total Assy	9378580480
43	Wind Guide Board	9382125004

3. Outdoor unit parts list

3-1. Model: AOYG18KATA

■ Exterior parts and Chassis



TECHNICAL DATA
AND PARTS LIST

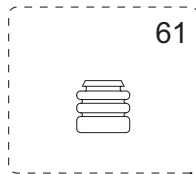
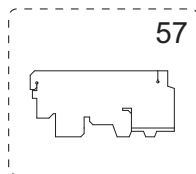
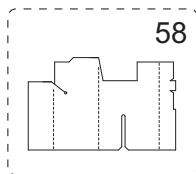
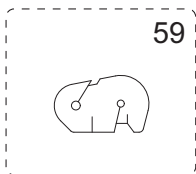
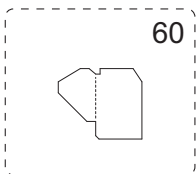
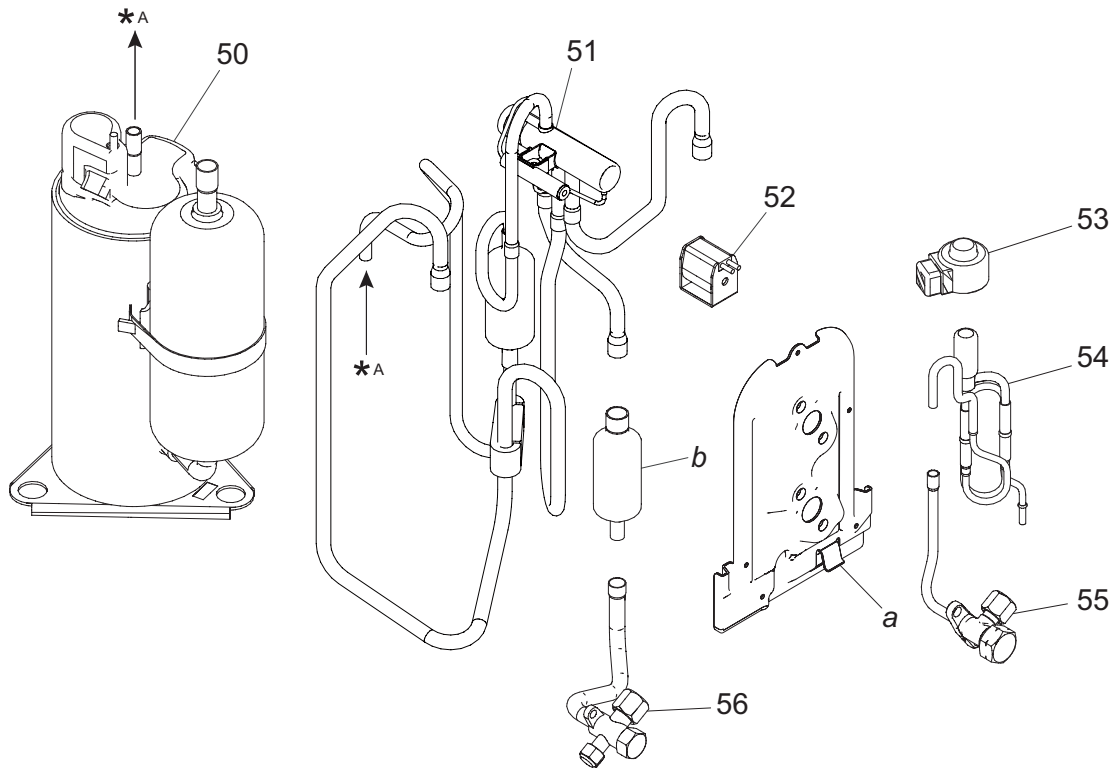
TECHNICAL DATA
AND PARTS LIST

Item no.	Part no.	Part name	Service part
1	9322556028	Top panel assy	◆
2	9322811011	Protective net	◆
3	9322552020	Cabinet right assy	◆
4	9322570000	Switch cover assy	◆
5	9900435028	Terminal	◆
6	9709685372	Main PCB (Service)	◆
7	9900727062	Thermistor assy	◆
8	9900565060	Thermistor (Outdoor temp.)	◆
9	9900984014	Heat exchanger thermistor	◆
10	9900963019	Reactor assy	◆
11	9322418005	Heat sink	◆
12	9322314024	Base assy	◆
13	9322144003	Drain pipe	◆
14	9322555014	Front panel assy	◆
15	9319151007	Emblem	◆
16	9322135001	Blow grille	◆
17	9322136008	Propeller fan	◆
18	9603657017	Brushless motor	◆
19	9322553010	Motor bracket assy	◆
20	9323834132	Heat exchanger unit	◆
<i>a</i>	—	Inverter assy	—
<i>b</i>	—	Hair pin cushion	—

Compressor

TECHNICAL DATA
AND PARTS LIST

TECHNICAL DATA
AND PARTS LIST



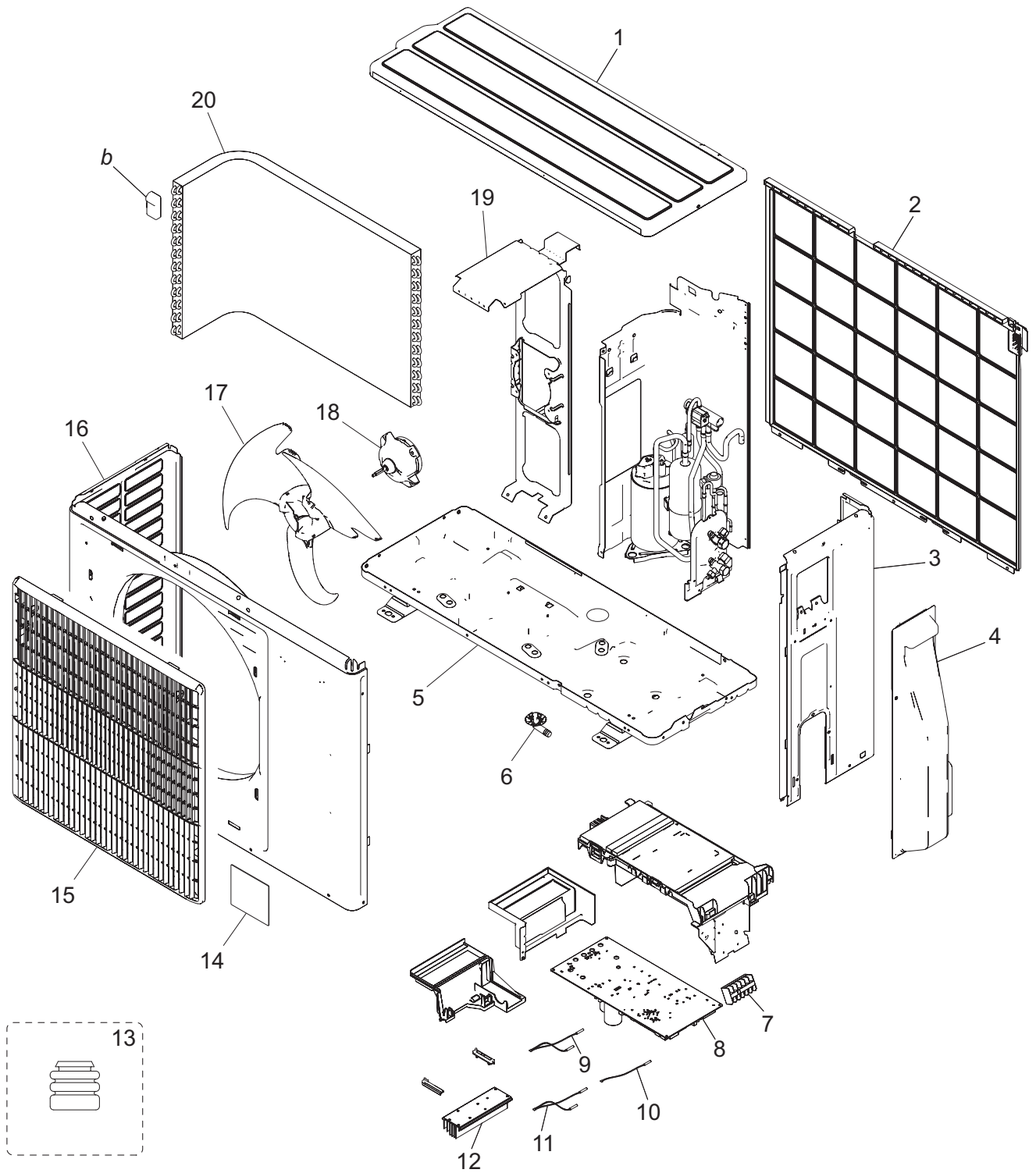
Item no.	Part no.	Part name	Service part
50	9322429001	Compressor assy	◆
51	9322444011	4-way valve assy	◆
52	9970110160	Solenoid	◆
53	9970173028	Expansion valve coil	◆
54	9322463029	Pulse motor valve assy	◆
55	9322474001	2-way valve assy	◆
56	9387831016	3-way valve assy	◆
57	9322535009	S-insulator B	◆
58	9322536006	S-insulator F	◆
59	9322537003	S-insulator H	◆
60	9323045002	S-insulator V	◆
61	9322386007	Cushion rubber	◆
62	9313437008	Special nut	◆
a	—	Valve bracket	—
b	—	Muffler	—

3-2. Model: AOYG22KATA

■ Exterior parts and Chassis

TECHNICAL DATA
AND PARTS LIST

TECHNICAL DATA
AND PARTS LIST

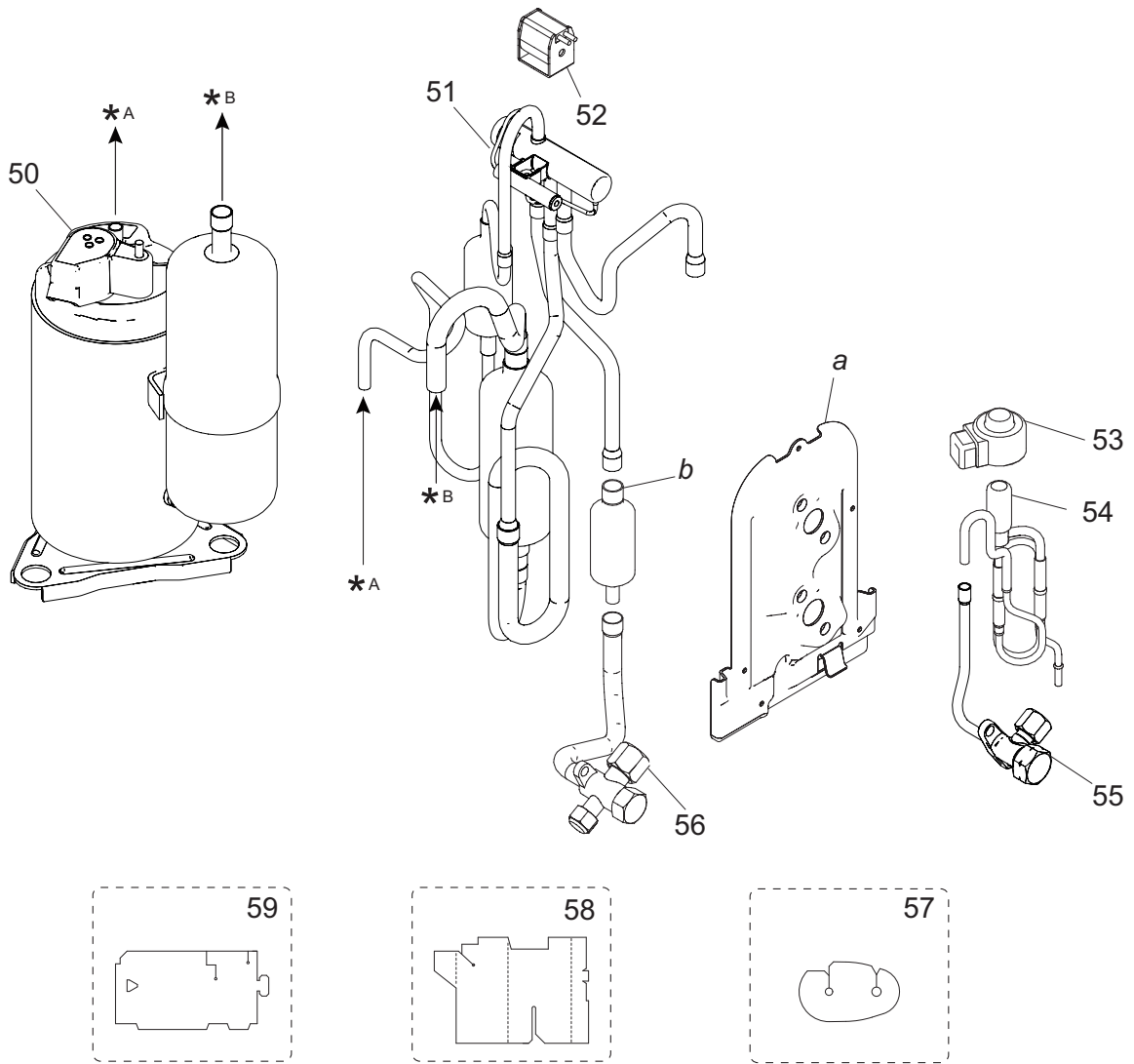


Item no.	Part no.	Part name	Service part
1	9322556028	Top panel assy	◆
2	9322811028	Protective net assy	◆
3	9322552099	Cabinet right assy	◆
4	9322570024	Switch cover assy	◆
5	9322314024	Base assy	◆
6	9322144003	Drain pipe	◆
7	9900435028	Terminal 6P	◆
8	9709685297	Main PCB (Service)	◆
9	9900727079	Thermistor assy	◆
10	9900984014	Heat exchanger thermistor	◆
11	9900565060	Thermistor assy (Outdoor temp.)	◆
12	9322420039	Heat sink	◆
13	9322386007	Cushion rubber	◆
14	9319151007	Emblem	◆
15	9322149008	Blow grille	◆
16	9322555021	Front panel assy	◆
17	9322150004	Propeller fan	◆
18	9603601003	DC fan motor	◆
19	9322553027	Motor bracket assy	◆
20	9323834194	Heat exchanger unit	◆
a	—	Hair pin cushion	—

Compressor

TECHNICAL DATA
AND PARTS LIST

TECHNICAL DATA
AND PARTS LIST


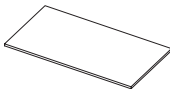
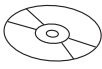
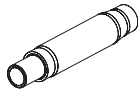


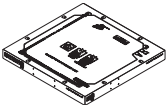



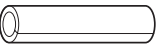

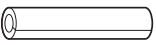


Item no.	Part no.	Part name	Service part
50	9810523006	Compressor	◆
51	9322783028	4-way valve assy	◆
52	9970110160	Solenoid	◆
53	9970173028	Expansion valve coil	◆
54	9322463029	Pulse motor valve assy	◆
55	9322474001	2-way valve assy	◆
56	9387831016	3-way valve assy	◆
57	9322501004	S-insulator H	◆
58	9322847003	S-insulator F	◆
59	9322500007	S-insulator B	◆
<i>a</i>	—	Valve bracket	—
<i>b</i>	—	Muffler	—

4. Accessories



4-1. Indoor unit

■ Models: AUXG18KRLB and AUXG22KRLB

Part name	Exterior	Q'ty	Part name	Exterior	Q'ty
Operating manual		1	Insulation		1
Operating manual (CD-ROM)		1	Drain hose		1
Installation manual		1	Hose band		1
Template (Carton top)		1	Drain hose heat insulation		1
Washer		8	Cable tie (large)		4
Coupler heat insulation (large)		1	Cable tie (small)		2
Coupler heat insulation (small)		1			

4-2. Outdoor unit

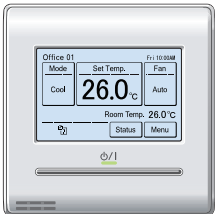
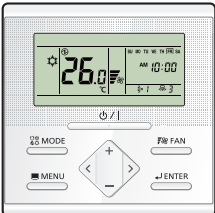
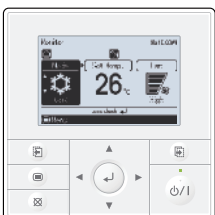
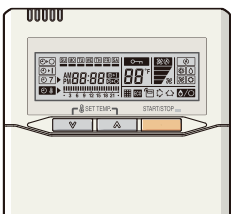
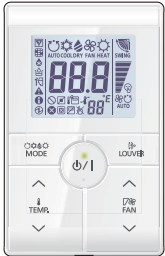

■ Models: AUXG18KRLB and AUXG22KRLB


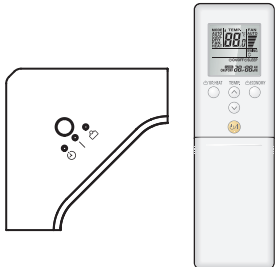
Part name	Exterior	Qty	Part name	Exterior	Qty
Installation manual		1	Drain pipe		1

5. Optional parts

5-1. Indoor unit

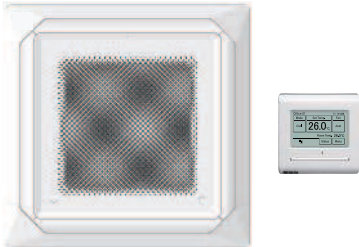

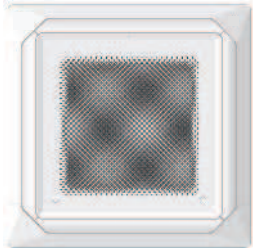
■ Controllers

Exterior	Part name	Model name	Summary
	Wired Remote Controller	UTU-RNRYZ*	Easy finger touch operation with LCD panel. Backlit LCD enables easy operation in a dark room. Wire type: Non-polar 2-wire
	Wired Remote Controller	UTU-RLRY	High visibility and easy operation. Room temperature can be accurately controlled using the thermo sensor. Wire type: Non-polar 2-wire
	Wired Remote Controller	UTU-RVNYM	Large and full-dot liquid crystal screen, wide and large keys easy to press, user-intuitive arrow key. Wire type: Polar 3-wire
	Wired Remote Controller	UTU-RNNYM	Room temperature can be controlled by detecting the temperature accurately with thermo sensor. Wire type: Polar 3-wire
	Simple Remote Controller	UTU-RSRY	Compact remote controller concentrates on the basic functions such as Start/Stop, fan control, temperature setting, and operation mode. Wire type: Non-polar 2-wire
	Simple Remote Controller	UTU-RHRY	Compact remote controller concentrates on the basic functions such as Start/Stop, fan control, and temperature setting. Wire type: Non-polar 2-wire

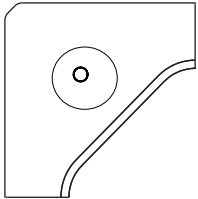
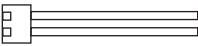

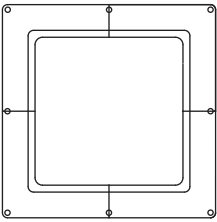
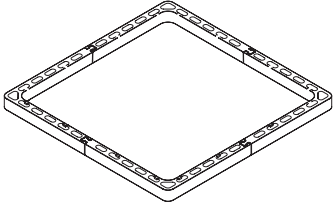

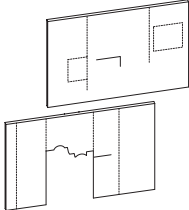
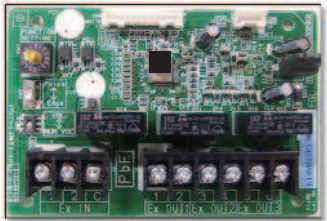
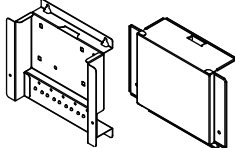
Exterior	Part name	Model name	Summary
	Simple Remote Controller	UTY-RSNYM	Compact remote controller concentrates on the basic functions such as Start/Stop, fan control, temperature setting, and operation mode. Wire type: Polar 3-wire
	IR Receiver Kit with Wireless Remote Controller	UTY-LBTYC	Unit control is performed by Wireless Remote Controller.





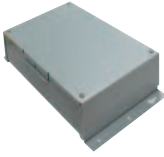

NOTE: Available functions may differ by the remote controller. For details, refer to the operation manual.

■ Cassette grille

Exterior	Part name	Model name	Summary
	Cassette Grille	UTG-UKYA-W	This cassette grille to blow airflow in 360° direction by unique seamless airflow louver design. Wired remote controller (UTY-RNRYZ*) is included.
	Cassette Grille	UTG-UKYA-B	This cassette grille to blow airflow in 360° direction by unique seamless airflow louver design. Black color model.
	Cassette Grille	UTG-UKYC-W	This cassette grille to blow airflow in 360° direction by unique seamless airflow louver design.

Others

Exterior	Part name	Model name	Summary
	Human Sensor Kit	UTY-SHZXC	For circular flow cassette type.
	External Connect Kit	UTY-XWZXZG	Use to connect with various peripheral devices and air conditioner PCB. For control output port. Connecting point: CN47 on Main PCB
	Air Outlet Shutter Plate	UTR-YDZK	Installed at the air outlet when 3-directions mode is performed.
	Wide Panel	UTG-AKXA-W	Hides the gap between the ceiling hole and the cassette grille.
	Panel Spacer	UTG-BKXA-W	If there is not enough height in the ceiling space, by inserting this spacer between the cassette grille and the ceiling surface, the height of the unit body goes into the ceiling space become 50-mm lower.
	Fresh Air Intake Kit	UTZ-VXRA	By attaching Fresh Air Intake Kit to the indoor unit, it can be taken in fresh air of up to 10% of "high" air volume of the indoor unit.
	Insulation Kit for High Humidity	UTZ-KXRA	Install when the under-roof condition is expected to be the humidity of over 80% and the temperature of over 30 °C.
	External Input and Output PCB	UTY-XCSX	Use to connect with external devices and air conditioner PCB. Connecting point: CN65 on Main PCB
	External Input and Output PCB Box	UTZ-GXRA	For installing the External input and output PCB.

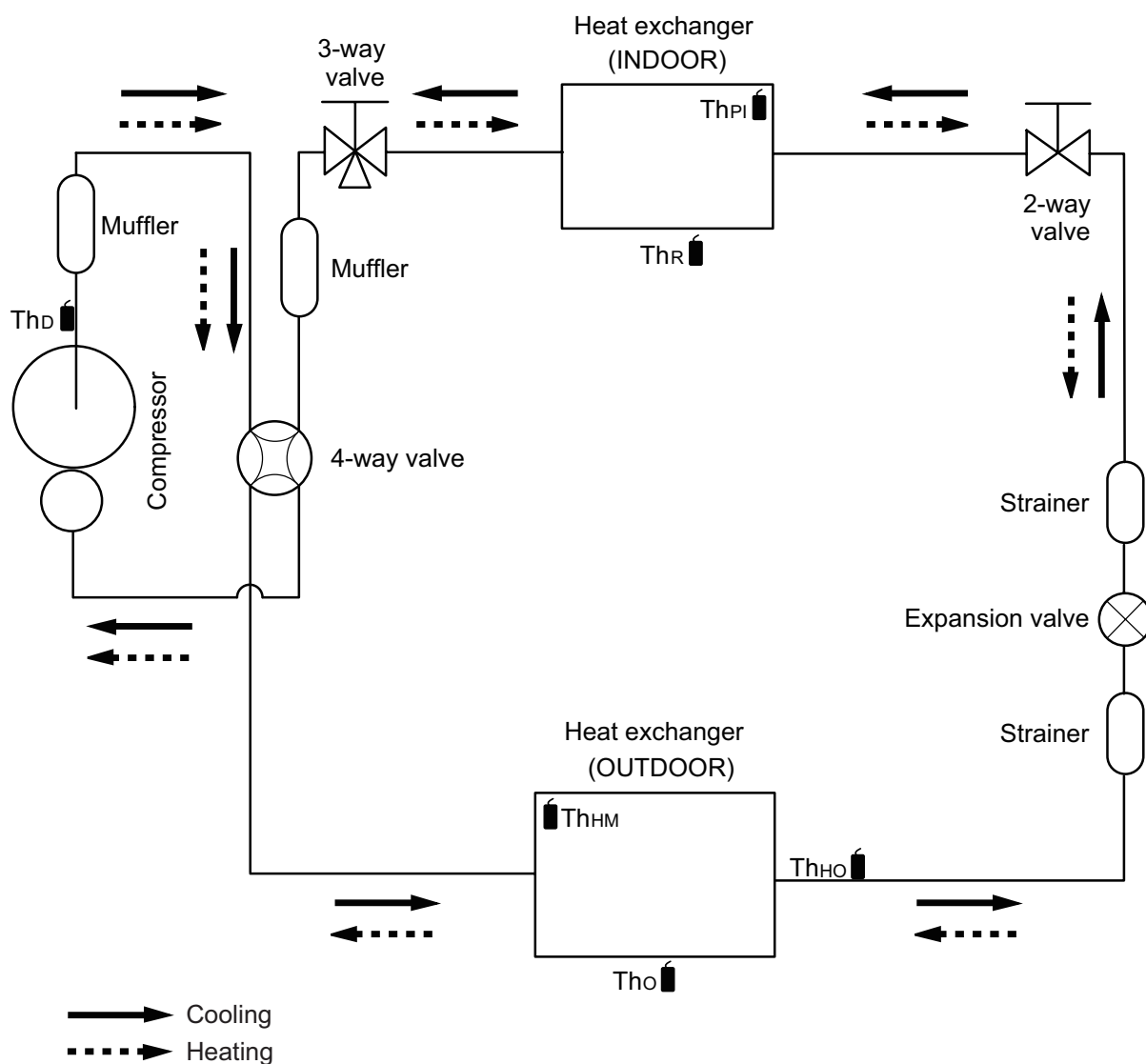
Exterior	Part name	Model name	Summary
	WLAN Adapter	UTY-TFSXZ1	Remotely manage an air conditioning system using mobile devices such as smartphones and tablets. For connection indoor unit with UART interface. Appropriate application for each region is required to use this option. For details, contact FGL sales company. Connecting point: CN65 on Main PCB
	Modbus Converter	UTY-VMSX	For connection between indoor unit with UART interface and a Modbus open network. Connecting point: CN65 on Main PCB
	KNX Converter	UTY-VKSX	For connection between indoor unit with UART interface and a KNX open network. Connecting point: CN65 on Main PCB
	Network Converter	UTY-VTGX	This converter is required when connecting single split system to VRF network system.
	Network Converter (AC power supply)	UTY-VTGXV	This converter is required when connecting single split system to VRF network system.
	External Switch Controller	UTY-TERX	Air conditioner switching can be controlled by connecting other external sensor switches. Use the terminal for wired remote controller.

NOTE: Combined use of following optional parts and WLAN Adapter (UTY-TFSXZ1) is not allowed.

- External Input and Output PCB
- Modbus Converter
- KNX Converter

6. Refrigerant system diagrams

6-1. Model: AOYG18KATA



ThD : Thermistor (Discharge temperature)

ThO : Thermistor (Outdoor temperature)

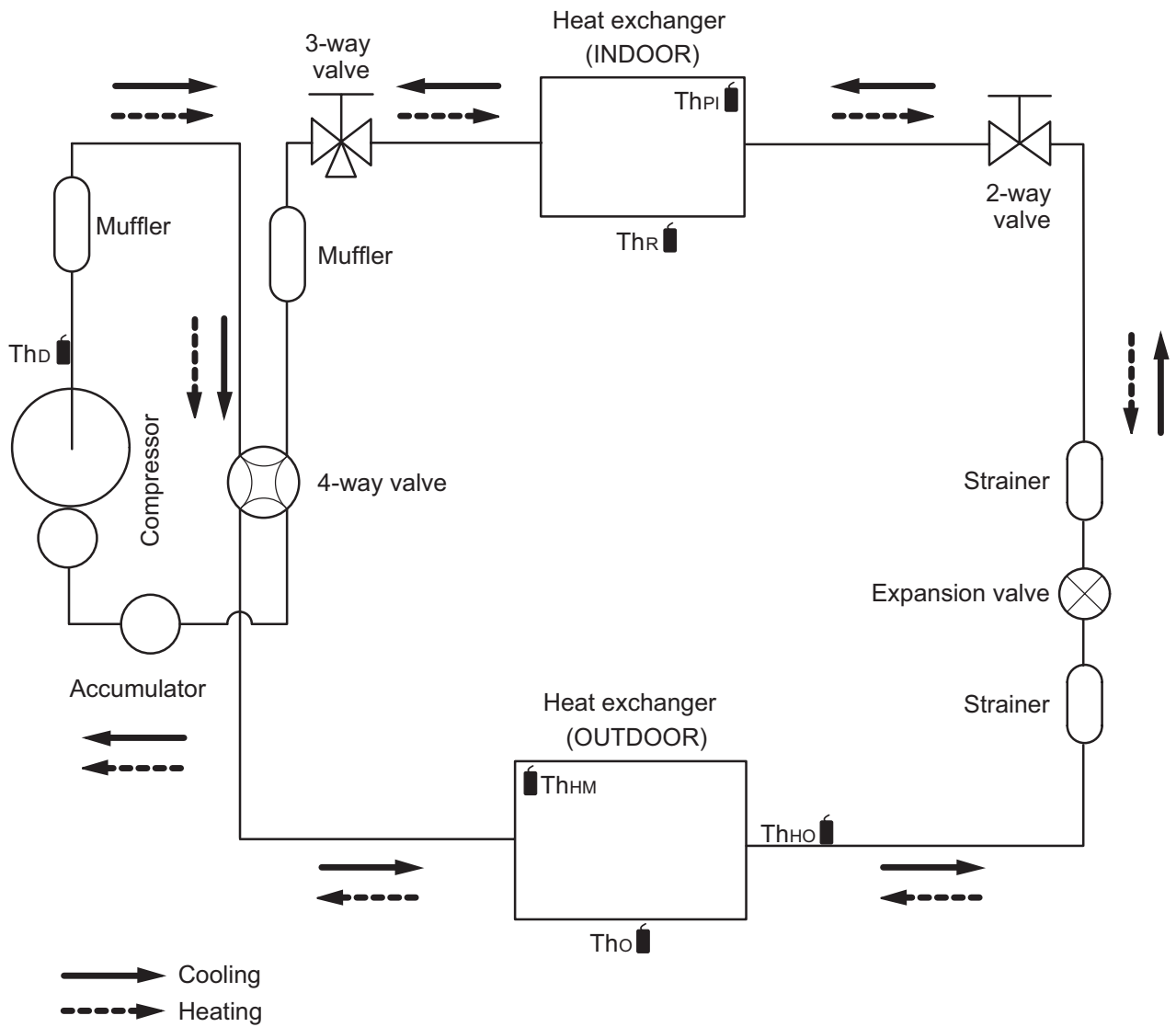
ThHO : Thermistor (Heat exchanger out temperature)

ThHM : Thermistor (Heat exchanger middle temperature)

ThR : Thermistor (Room temperature)

ThPI : Thermistor (Pipe temperature)

6-2. Model: AOYG22KATA



Th_D : Thermistor (Discharge temperature)

Th_{HM} : Thermistor (Heat exchanger middle temperature)

Th_O : Thermistor (Outdoor temperature)

Th_{HO} : Thermistor (Heat exchanger out temperature)

Th_{PI} : Thermistor (Pipe temperature)

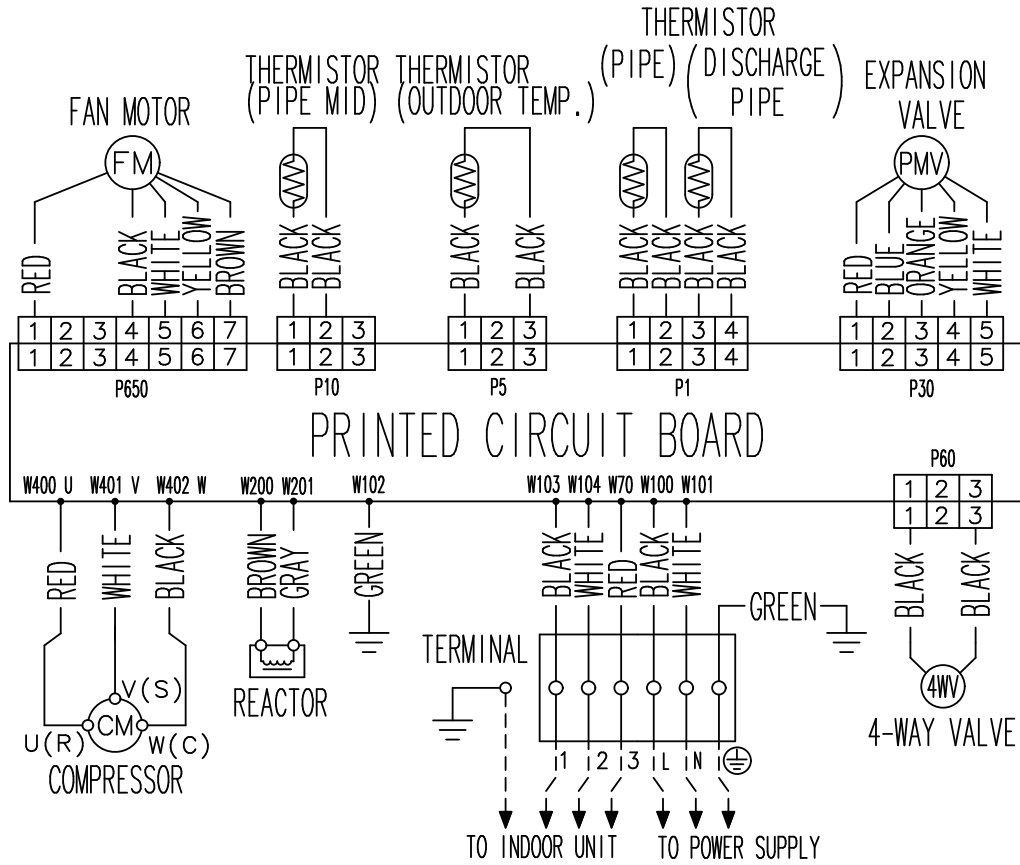
Th_R : Thermistor (Room temperature)

7-2. Outdoor unit

Model: AOYG18KATA

TECHNICAL DATA AND PARTS LIST

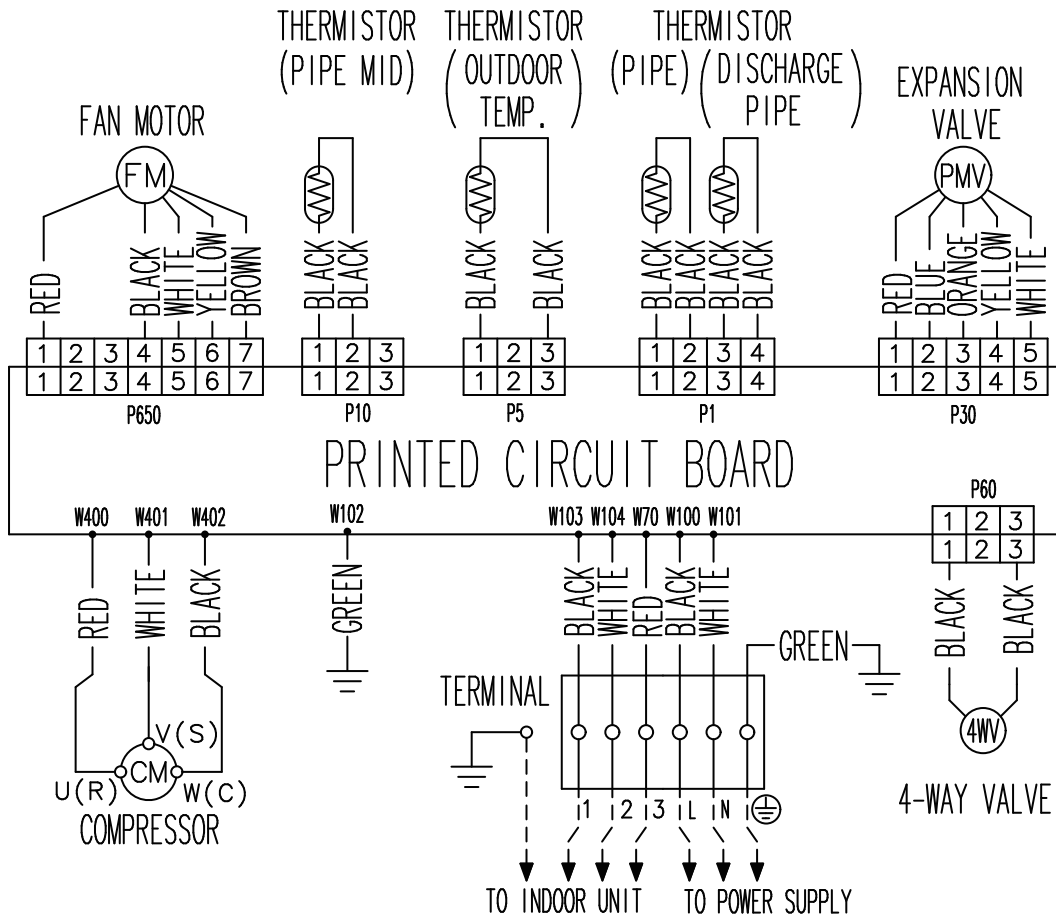
TECHNICAL DATA AND PARTS LIST



■ Model: AOYG22KATA

TECHNICAL DATA
AND PARTS LIST

TECHNICAL DATA
AND PARTS LIST

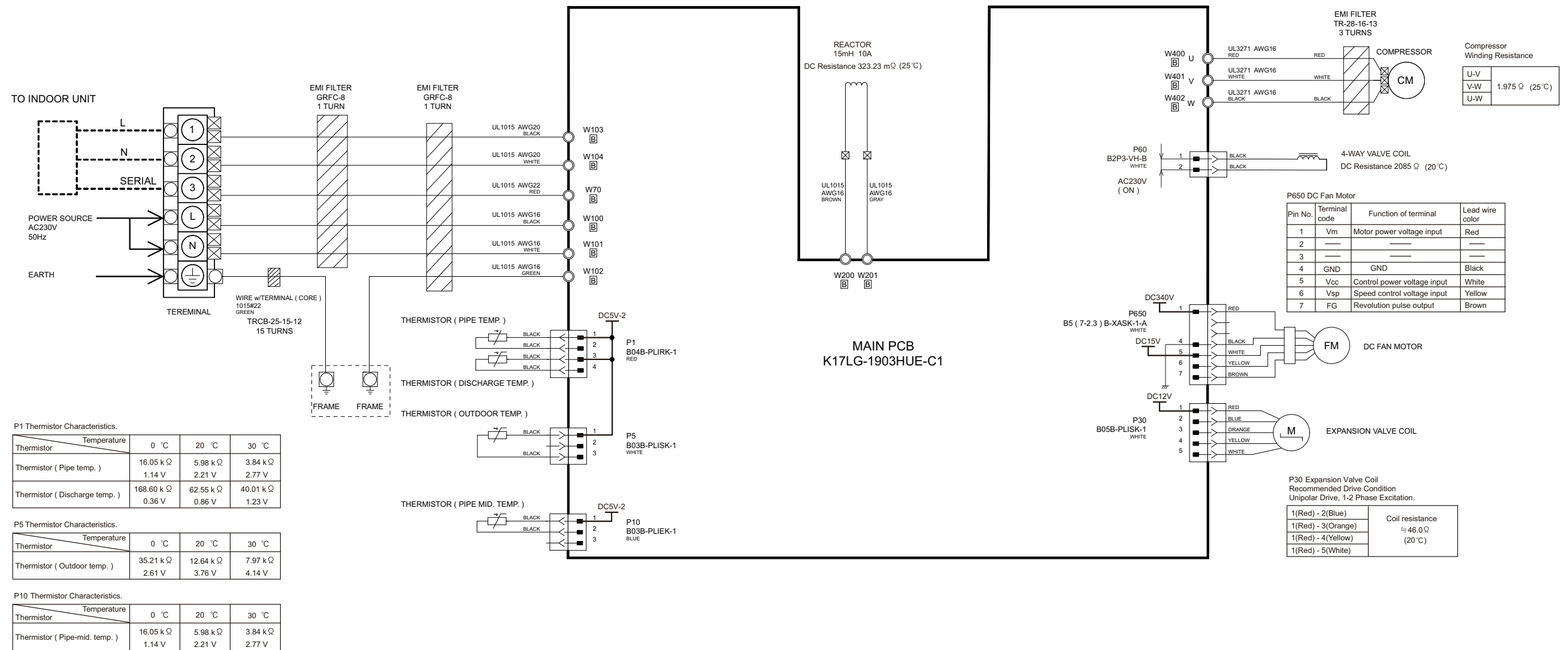


8-2. Model: AOYG18KATA

TECHNICAL DATA AND PARTS LIST

TECHNICAL DATA AND PARTS LIST

INVERTER ASSEMBLY EZ-019DHUE



8-3. Model: AOYG22KATA

TECHNICAL DATA
AND PARTS LIST

TECHNICAL DATA
AND PARTS LIST

INVERTER ASSEMBLY EZ-019EHUE

