

Condensing unit
Voltage Code : TZ

TAGDT4610ZHR-TZ

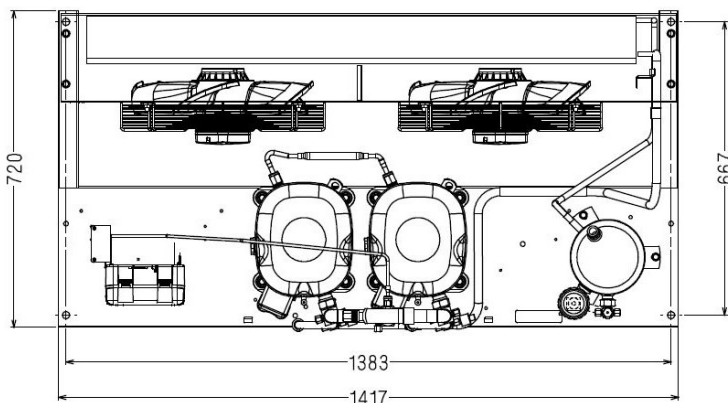
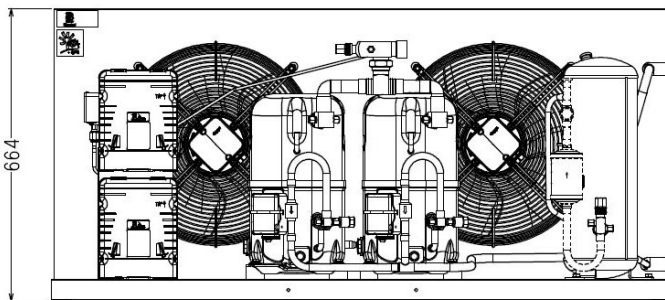
High Temp. Commercial (HP)

400V 3~ 50Hz / 440V 3~ 60 Hz

R452A / R404A / R448A / R449A

TAGDT4610ZHR-TZ

Conditions	Frequency	Nominal Cooling Capacity		Sound Power ISO3745 / ISO 3743-1
		Watts	BTU/h	
EN13215 / R452A	50 Hz	13359	45555	87 dBA
EN13215 / R404A	50 Hz	14067	47970	87 dBA
EN13215 / R448A	50 Hz	12109	41291	87 dBA
EN13215 / R449A	50 Hz	12115	41314	87 dBA



* EN13215 : T°Ambient 32.0°C / T°Evap. -10.0°C / T°Return gas temp.. 20.0°C
T°Subcooling. 3.0K

Net Weight (Kg)	179.0
Expansion device	Expansion_Valve
Air Flow (m³/h)	8270 / 9400
Compo Data Sheet	227EU-T
Elec Comp Type	TRI
Current (Amp)	
Load Rated Amp	18.1 19.8
Max Cont Current	30.3 31
Lock Rotor Amp	98 96
Fan	
Speed (rpm)	1360 / 1520
Power (W)	280.0
Diameter (mm)	420
Protection	Overload
IP Level	IP54
Condenser	B420G/50000
Liquid Receiver	
Capacity (L)	9.5
Maximum Pressure (Bars)	32.0
Suction Line	
Suction Type	Vanne Orientable
For Tubing Out Diam	28.6 (1"1/8)
Suction Connection Type	Brased
Liquid Line	
Liquid Line Type	Vanne Orientable
For Tubing Out Diam	15.9 (5/8")
Liquid Connecton Type	Brased
Connection Type	VR
Fan Guard	maille < à 8mm

Note : Tecumseh reserves the right to change information contained in this document without notification.



Tecumseh

TAGDT4610ZHR-TZ	Tension TZ : 400V 3~ 50Hz / 440V 3~ 60 Hz
------------------------	--

Les performances sont données dans les conditions EN13215 :	Gaz aspirés :	20.0 °C
Condition Dew	Sous refroidissement :	3.0 K
The performance data are in EN13215 conditions :	Return gas :	20.0 °C
Dew Condition	Subcooling :	3.0 K

© 2020 Tecumseh Products Company
All rights reserved

50 Hz R452A

N°6086

5 T ambience	6 T évaporation	(°C)	-25	-20	-15	-10	-5	0	5	10	15
25	1 P frigorifique	(Watt)	7105	9496	12250	15338	18708	22293	26010	29764	33467
	2 P absorbée	(W)	4406	5164	5927	6711	7533	8409	9356	10395	11545
	3 I absorbée	(A)	10.3	11.3	12.3	13.3	14.5	15.8	17.2	18.7	20.4
	4 Tc	(°C)	26.5	28.4	30.5	32.8	35.4	38.2	41.2	44.5	48.0
32	1 P frigorifique	(Watt)		8032	10558	13359	16400	19632	22995	26426	29876
	2 P absorbée	(W)		5097	5945	6809	7702	8641	9643	10725	11906
	3 I absorbée	(A)		11.2	12.3	13.5	14.7	16.1	17.6	19.2	20.9
	4 Tc	(°C)		34.4	36.4	38.6	41.0	43.6	46.4	49.4	52.6
43	1 P frigorifique	(Watt)			7900	10274	12819	15520	18356	21316	24434
	2 P absorbée	(W)			5781	6793	7824	8886	9995	11165	12414
	3 I absorbée	(A)			12.1	13.5	14.9	16.4	18.0	19.7	21.5
	4 Tc	(°C)			45.8	47.9	50.0	52.3	54.7	57.3	60.0

50 Hz R404A

N°5121

5 T ambience	6 T évaporation	(°C)	-25	-20	-15	-10	-5	0	5	10	15
25	1 P frigorifique	(Watt)	7756	10216	13027	16149	19518	23055	26664	30241	33684
	2 P absorbée	(W)	4655	5430	6207	6999	7824	8695	9629	10643	11755
	3 I absorbée	(A)	10.8	11.8	12.8	13.9	15.0	16.3	17.6	19.2	20.8
	4 Tc	(°C)	29.4	31.3	33.3	35.6	38.1	40.9	43.8	47.0	50.3
32	1 P frigorifique	(Watt)	6381	8672	11245	14067	17094	20265	23509	26750	29927
	2 P absorbée	(W)	4518	5385	6247	7119	8014	8946	9931	10985	12125
	3 I absorbée	(A)	10.6	11.7	12.8	14.0	15.3	16.6	18.0	19.6	21.3
	4 Tc	(°C)	35.4	37.2	39.1	41.3	43.6	46.1	48.8	51.7	54.7
43	1 P frigorifique	(Watt)			8455	10837	13353	15974	18669	21414	24220
	2 P absorbée	(W)			6120	7140	8170	9222	10310	11447	12648
	3 I absorbée	(A)			12.7	14.1	15.5	17.0	18.5	20.2	21.9
	4 Tc	(°C)			48.3	50.2	52.3	54.4	56.7	59.1	61.6

1 = cooling capacity 2 = power input 3 = current 4 = condensing temperature 5 = ambient temperature 6 = evaporating temperature

Nota : Tecumseh se réserve le droit de modifier les informations contenues dans ce document sans préavis.

Note : Tecumseh reserves the right to change information contained in this document without notification.



Tecumseh

TAGDT4610ZHR-TZ	Tension TZ : 400V 3~ 50Hz / 440V 3~ 60 Hz
------------------------	--

Les performances sont données dans les conditions EN13215 :	Gaz aspirés :	20.0 °C
Condition Dew	Sous refroidissement :	3.0 K
The performance data are in EN13215 conditions :	Return gas :	20.0 °C
Dew Condition	Subcooling :	3.0 K

50 Hz R448A (*)											
											N°6966
5 T ambience	6 T évaporation	(°C)	-25	-20	-15	-10	-5	0	5	10	15
25	1 P frigorifique	(Watt)	5966	8238	10876	13872	17204	20834	24710	28770	32950
	2 P absorbée	(W)	4126	4847	5584	6352	7165	8037	8987	10034	11201
	3 I absorbée	(A)	9.76	10.7	11.6	12.7	13.8	15.1	16.5	18.1	19.8
	4 Tc	(°C)	26.8	28.7	30.8	33.2	35.8	38.6	41.7	45.0	48.5
32	1 P frigorifique	(Watt)		6935	9366	12109	15154	18481	22057	25843	29800
	2 P absorbée	(W)		4786	5605	6452	7339	8281	9294	10395	11605
	3 I absorbée	(A)		10.6	11.7	12.8	14.1	15.5	16.9	18.6	20.4
	4 Tc	(°C)		34.8	36.8	39.0	41.5	44.1	46.9	49.9	53.1
43	1 P frigorifique	(Watt)			7006	9383	12008	14883	18008		
	2 P absorbée	(W)			5442	6442	7474	8551	9685		
	3 I absorbée	(A)			11.5	12.9	14.3	15.8	17.5		
	4 Tc	(°C)			46.3	48.4	50.5	52.8	55.2		

50 Hz R449A (*)											
											N°5706
5 T ambience	6 T évaporation	(°C)	-25	-20	-15	-10	-5	0	5	10	15
25	1 P frigorifique	(Watt)	5969	8242	10881	13879	17214	20847	24726	28791	32974
	2 P absorbée	(W)	4126	4847	5584	6352	7165	8037	8987	10034	11201
	3 I absorbée	(A)	9.76	10.7	11.6	12.7	13.8	15.1	16.5	18.1	19.8
	4 Tc	(°C)	26.8	28.7	30.8	33.2	35.8	38.6	41.7	44.9	48.5
32	1 P frigorifique	(Watt)		6938	9371	12115	15163	18492	22071	25860	29819
	2 P absorbée	(W)		4786	5605	6452	7339	8281	9294	10395	11605
	3 I absorbée	(A)		10.6	11.7	12.8	14.1	15.5	16.9	18.6	20.4
	4 Tc	(°C)		34.8	36.8	39.0	41.5	44.1	46.9	49.9	53.0
43	1 P frigorifique	(Watt)			7010	9388	12014	14891	18017		
	2 P absorbée	(W)			5442	6442	7474	8551	9685		
	3 I absorbée	(A)			11.5	12.9	14.3	15.8	17.5		
	4 Tc	(°C)			46.3	48.3	50.5	52.8	55.2		

1 = cooling capacity 2 = power input 3 = current 4 = condensing temperature 5 = ambient temperature 6 = evaporating temperature

(*) Veuillez vous référer strictement aux Recommandations d'Utilisation et Bulletins Marketing Tecumseh du fait de la température de reflux élevée pour les applications LBP.
 (*) Due to very high discharge temperature especially on LBP conditions, please strictly refer to Tecumseh Guidelines & Marketing Bulletin when using this refrigerant.

Nota : Tecumseh se réserve le droit de modifier les informations contenues dans ce document sans préavis.
Note : Tecumseh reserves the right to change information contained in this document without notification.

© 2020 Tecumseh Products Company
All rights reserved