

Instructions / Vejledning / Anleitung / Instructions / Instrucciones /
Instruktioner / Instructies / Ohjeet / Instruksjoner / Instrukcje

Optyma™ Plus INVERTER

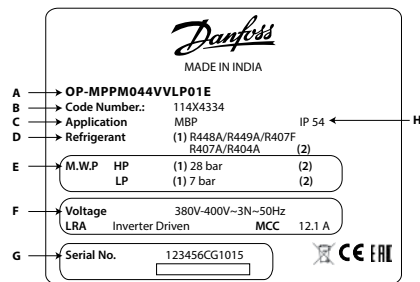
Condensing Units OP-MPLM, OP-MPPM

English / English	p. 2
Dansk / Danish	p. 6
Deutsch / German	p. 10
Français / French	p. 14
Español / Spanish	p. 18
Svenska / Swedish	p. 22
Nederlands / Dutch	p. 26
Suomi / Finnish	p. 30
Norsk / Norwegian	p. 34
Polski / Polish	p. 38
GA Drawings / GA-tegninger / GA-Zeichnungen / Schémas GA / Diagramas GA / GA Drawings / GA-tegninger / GA-piirustukset / GA-tegninger / Rysunki GA	p. 42
Wiring Diagram / El-diagram / Schaltplan / Schéma électrique / Diagrama eléctrico / Kopplingsche- ma / El-diagram / Kytäntäkaavio / Koblingskjema / Schemat elektryczny	p. 43

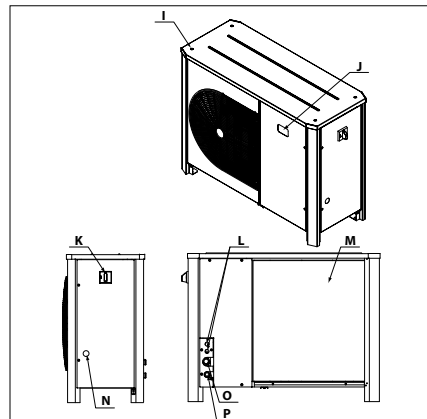


Optyma™ Plus INVERTER

Condensing Units OP-MPLM, OP-MPPM



- A: Model
- B: Code number
- C: Application
- D: Refrigerant
- E: Housing Service Pressure
- F: Supply voltage, Maximum Current Consumption
- G: Serial Number and bar code
- H: Protection



- I: Mounting holes for stack mounting
- J: Electronic controller display
- K: Main switch
- L: Cable entry ports
- M: Microchannel heat exchanger
- N: Sight glass
- O: Suction port
- P: Liquid port



⚠ The condensing unit must only be used for its designed purpose(s) and within its scope of application.

⚠ Under all circumstances, the EN378 (or other applicable local safety regulation) requirements must be fulfilled.

The condensing unit is delivered under nitrogen gas pressure (1 bar) and hence it cannot be connected as it is; refer to the «installation» section for further details.

The condensing unit must be handled with caution in the vertical position (maximum offset from the vertical : 15°)

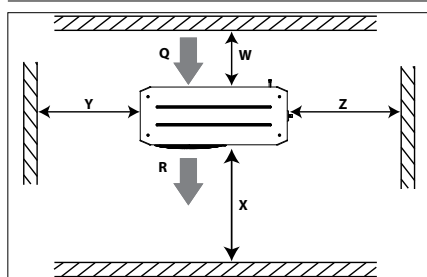
Compressor of condensing unit cannot be connected directly to the network in any case, only via original drive from Danfoss.



This unit contains frequency converter and EMI filter with capacitors. Disconnect the AC mains and wait for at least 4 min to de-Energize all Electrical parts before opening the door for performing any service or repair work. Failure to wait the specified time after power has been removed could result in death or serious injury



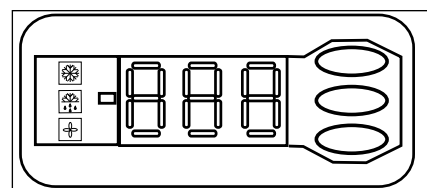
Installation and servicing of the condensing units by qualified personnel only. Follow these instructions and sound refrigeration engineering practice relating to installation, commissioning, maintenance and service.



Picture 1: Minimum mounting distances

Q: Air in R: Air out

Unit	W [mm]	X [mm]	Y [mm]	Z [mm]
Housing 3	250	760	581	581



Picture 2: Electronic controller display



Compressor running



Crankcase heater on



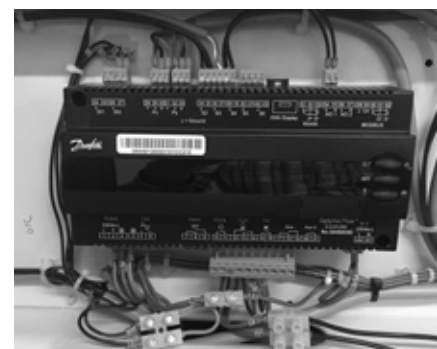
Fan running



Temperature value for suction pressure.
Push lower button to switch to temperature value for condensing pressure



Picture 3: Normal wiring



Picture 4: Temporary wiring

Instructions

1 – Introduction

These instructions pertain to Optyma™ Plus condensing units OP-MPLM, OP-MPPM used for refrigeration systems. They provide necessary information regarding safety and proper usage of this product.

The condensing unit includes following:

- Microchannel heat exchanger
- Variable speed scroll compressor
- Receiver with stop valve
- Oil separator
- Ball valves
- Sight glass
- High & low pressure switches
- Filter drier
- Electronic controller
- Compressor drive with EMC filter
- Main circuit breaker (Main switch with overload protection)
- Fan capacitors
- Compressor contactor
- Robust weather proof housing

2 – Handling and storage

- It is recommended not to open the packaging before the unit is at the final place for installation.
- Handle the unit with care. The packaging allows for the use of a forklift or pallet jack. Use appropriate and safe lifting equipment..
- Store and transport the unit in an upright position.
- Store the unit between -35°C and 50°C.
- Don't expose the packaging to rain or corrosive atmosphere.
- After unpacking, check that the unit is complete and undamaged.

3 – Installation precautions

⚠ Never place the unit in a flammable atmosphere

⚠ Place the unit in such a way that it is not blocking or hindering walking areas, doors, windows or similar.

- Ensure adequate space around the unit for air circulation and to open doors. Refer to picture 1 for minimal values of distance to walls.
- Avoid installing the unit in locations which are daily exposed to direct sunshine for longer periods.
- Avoid installing the unit in aggressive and dusty environments.
- Ensure a foundation with horizontal surface (less than 3° slope), strong and stable enough to carry the entire unit weight and to eliminate vibrations and interference.
- The unit ambient temperature may not exceed 50°C during off-cycle.
- Ensure that the power supply corresponds to the unit characteristics (see nameplate).
- When installing units for HFC refrigerants, use equipment specifically reserved for HFC refrigerants which was never used for CFC or HCFC refrigerants.
- Use clean and dehydrated refrigeration-grade copper tubes and silver alloy brazing material.
- Use clean and dehydrated system components.
- The suction piping connected to the compressor must be flexible in 3 dimensions to dampen vibrations. Furthermore piping has to be done

in such a way that oil return for the compressor is ensured and the risk of liquid slug over in compressor is eliminated.

4 – Installation

- The installation in which the condensing unit is installed must comply to EC Pressure directive (PED) no. 97/23/EC. The condensing unit itself is not a "unit" in the scope this directive.
- It is recommended to install the unit on rubber grommets or vibration dampers (not supplied).
- Slowly release the nitrogen holding charge through the schrader port.
- Connect the unit to the system as soon as possible to avoid oil contamination from ambient moisture.
- Avoid material entering into the system while cutting tubes. Never drill holes where burrs cannot be removed.
- Braze with great care using state-of-the-art technique and vent piping with nitrogen gas flow.
- Connect the required safety and control devices. When the schrader port is used for this, remove the internal valve.
- It is recommended to insulate the suction pipe up to the compressor inlet with 19 mm thick insulation.

5 – Leak detection

⚠ Never pressurize the circuit with oxygen or dry air. This could cause fire or explosion.

- Do not use dye for leak detection
- Perform a leak detection test on the complete system
- The maximum test pressure is 32 bar.
- When a leak is discovered, repair the leak and repeat the leak detection.

6 – Vacuum dehydration

- Never use the compressor to evacuate the system.
- Connect a vacuum pump to both the LP & HP sides.
- Pull down the system under a vacuum of 500 µm Hg (0.67 mbar) absolute.
- Do not use a megohmmeter nor apply power to the compressor while it is under vacuum as this may cause internal damage.

7 – Electrical connections

- Switch off and isolate the main power supply.
- Ensure that power supply can not be switched on during installation.
- All electrical components must be selected as per local standards and unit requirements.
- Refer to wiring diagram for electrical connections details.
- Ensure that the power supply corresponds to the unit characteristics and that the power supply is stable (nominal voltage ±10% and nominal frequency ±2,5 Hz)
- Dimension the power supply cables according to unit data for voltage and current.
- Protect the power supply and ensure correct earthing.
- The earth leakage current exceeds 3.5mA. DC current can be supplied to the protective conductor. Where a residual current device (RCD) is used for protection in case of direct or

indirect contact, only a RCD of Type B is allowed on the supply side of this product.

- Make the power supply according to local standards and legal requirements.
- For IT power supply systems open the RFI switch by removing the RFI screw on the left side of the frequency converter (see Quick Guide MG-18Mxxx §1.2.3).
- The unit is equipped with an electronic controller. Refer to Manual RS8GDxxx for details.
- The unit is equipped with a main switch with overload protection. The overload protection is factory preset but it is recommended to check the value before taking the unit in operation. The value for the overload protection can be found in the wiring diagram in the front door of the unit.
- The unit is equipped with high and low pressure switches, which directly cut the power supply to the compressor in case of activation. Parameters for high and low pressure cut outs are preset in the controller, adapted to the compressor installed in the unit.
- The Unit is equipped with compressor drive for speed regulation. It is mandatory to connect compressor via it's drive as it is shown on the WD of this instruction.

Correct phase sequence for compressor rotation direction shall be observed.

- correct compressor supply phase sequence is assured from the frequency converter and factory wiring
- connections from frequency converter to compressor terminals are shown in the wiring diagram

8 – Filling the system

- Never start the compressor under vacuum. Keep the compressor switched off.
- Use only the refrigerant for which the unit is designed for.
- Fill the refrigerant in liquid phase into the condenser or liquid receiver. Ensure a slow charging of the system to 4 – 5 bar.
- The remaining charge is done until the installation has reached a level of stable nominal condition during operation.
- The charge must be as closed as possible to the nominal system charge to avoid low pressure operation and excessive superheat. For VLZ028-044, the refrigerant charge limit is 3.6kg. Above this limit; protect the compressor against liquid flood-back with a pump-down cycle not lower than 2.3 bar (g) for R448A/R449A / 2.3 bar(g) for R407F / 2.3 bar(g) for R407A / 2.3 bar(g) for R404A / or a suction line accumulator.
- Never leave the filling cylinder connected to the circuit.

9 – Setting the electronic controller

- The unit is equipped with an electronic controller which is factory programmed with parameters for use with the actual unit. Refer to Manual RS8GDxxx for details.
- By default, the electronic controller display shows the temperature value for the suction pressure in °C. To show the temperature value for the condensing pressure, push the lower button (picture 2).

Instructions

The electronic controller is factory preset for operation with refrigerant R449A. If another refrigerant is used, the refrigerant setting must be changed. Parameter r12 must be set to 0 before (software main switch= off).

- Push the upper button for a couple of seconds. The first parameter code appears.
- Push the upper or lower button to find parameter code o30.
- Push the middle button until the value for this parameter is shown.
- Push the upper or lower button to select the new value: 17 = R507A, 19 = R404A, 21=R407A, 37=R407F, 40= R448A, 41= R449A.
- Push the middle button to confirm the selected value.
- Go back to parameter r12 and change it to 1.
- If necessary change also parameter r23 to desired suction pressure (°C/°F).
- Change parameter c33 for pump down value according your needs.

10 – Verification before commissioning

△ Use safety devices such as safety pressure switch and mechanical relief valve in compliance with both generally and locally applicable regulations and safety standards. Ensure that they are operational and properly set.

△ Check that the settings of high-pressure switches and relief valves don't exceed the maximum service pressure of any system component.

- Verify that all electrical connections are properly fastened and in compliance with local regulations.
- The crankcase heater must be energized at least 12 hours before initial start-up and start-up after prolonged shutdown to remove refrigerant in liquid phase from the compressor. Remove DI1 plug from the controller to avoid compressor start and turn ON the main switch during this period.
- The unit is equipped with a main switch with overload protection. Overload protection is preset from factory, but it is recommended to check the value before taking the unit in operation. The overload protection value can be found in the wiring diagram in the unit front door.

11 – Start-up

- Never start the unit when no refrigerant is charged.
- All service valves must be in the open position.
- Check compliance between unit and power supply.
- Check that the crankcase heater is working.
- Check that the fan can rotate freely.
- Balance the HP/LP pressure.
- Energize the unit. It must start promptly. If the compressor does not start, check wiring conformity and voltage on terminals.
- Reverse rotation of the 3-phase compressor will be detected from the controller and can be detected by following phenomena; the compressor doesn't build up pressure, it has abnormally high sound level and abnormally low power consumption. In such case, shut down the unit immediately and connect the phases to their proper terminals.
- If the rotation direction is correct the low pressure indication on the controller (or low pres-

sure gauge) shall show a declining pressure and the high pressure indication (or high pressure gauge) shall show an increasing pressure.

12 – Check with running unit

- Check the fan rotation direction. Air must flow from the condenser towards the fan.
 - Check current draw and voltage.
 - Check suction superheat to reduce risk of slugging.
 - The optimum compressor suction superheat is around 6K. The maximum allowed superheat is 30K.
- Observe the oil level at start and during operation to confirm that the oil level remains visible. Excess foaming in oil sight glass indicates refrigerant on the sump.
- Monitor the oil sight glass for 1 hour after system equilibrium to ensure proper oil return to the compressor. This oil check has to be done over the speed range to guarantee:
 - a good oil return at low speed with minimum gas velocity.
 - a good oil management at high speed with maximum oil carry over.
 - Respect the operating limits.
 - Check all tubes for abnormal vibration. Movements in excess of 1.5 mm require corrective measures such as tube brackets.
 - When needed, additional refrigerant in liquid phase may be added in the low-pressure side as far as possible from the compressor. The compressor must be operating during this process.
 - Do not overcharge the system.
 - Never release refrigerant to atmosphere.
 - Before leaving the installation site, carry out a general installation inspection regarding cleanliness, noise and leak detection.
 - Record type and amount of refrigerant charge as well as operating conditions as a reference for future inspections.

Compressor failure to build up pressure: Check all bypass valves in the system to ensure that none of these has been opened. Also check that all solenoid valves are in their proper position.

- Abnormal running noise: Ensure the absence of any liquid flood-back to the compressor by means of measuring the return gas superheat and compressor sump temperature. The sump should be at least 6K above the saturated suction temperature under steady-state operating conditions.
- The high-pressure switch trips out: Check condenser operations (condenser cleanliness, fan operation, water flow and water pressure valve, water filter, etc.). If all these are OK, the problem may be due to either refrigerant overcharging or the presence of a noncondensable (e.g. air, moisture) in the circuit.
- The low-pressure switch trips out: Check evaporator operations (coil cleanliness, fan operations, water flow, water filter, etc.), liquid refrigerant flow and pressure drops (solenoid valve, filter dryer, expansion valve, etc.), refrigerant charge.
- Low refrigerant charge: The correct refrigerant charge is given by the liquid sight glass indication, the condenser delta T in relation to the refrigerant pressure tables (pressure/temperature), the superheat and the subcooling, etc. (if additional charge is deemed necessary, refer to section 8).

13 – Emergency running without controller

In case of controller failure, the condensing unit can still be operated when the controller standard wiring (WD1) is modified into a temporary wiring (WD2) as described below.

△ This modification may be done by authorized electricians only. Country legislations have to be followed.

△ Disconnect the condensing unit from power supply (turn hardware main switch off)

- Contact of Room Thermostat must be possible to switch 250VAC.
- Remove wire 22 (safety input DI3) and wire 6 (fan supply) and put them together. A fan pressure switch (e.g. KP5) or a fan speed controller (e.g. XGE) can be connected in series to wire 6
- Remove wire 10 (drive start) and wire 24 (room thermostat) and put them together
- Remove wire 11 (drive start) and wire 25 (room thermostat) and put them together
- Remove wire 53 and 55 from drive terminals and connect a 10kOhm potentiometer as below:
 - wire 1 to drive terminal 55
 - wire 2 to drive terminal 53
 - wire 3 to drive terminal 50
- Turn the knob of the potentiometer to middle position, which corresponds approximately compressor speed 50rpm
- Remove wire 14 (crankcase heater) and connect it to the compressor contactor terminal 22.
- Remove wire 12 (supply crankcase heater), extend this wire by using an 250 Vac 10mm² terminal bridge and 1,0mm² brown cable and connect it to compressor contactor terminal 21
- Remove the large terminal block from the controller terminals 10 to 19.
- Connect the condensing unit to power supply (turn hardware main switch on).
- Adjust the potentiometer to get the desired speed.
- Replace the controller as soon as possible.

14 – Maintenance

△ Always switch off the unit at main switch and wait 4 minutes (capacitor discharge time) before opening the fan door (s) to avoid electric shock. Even when main switch is OFF voltage is available on the income terminals of main switch and this should be considered during maintenance and service.

△ Internal pressure and surface temperature are dangerous and may cause permanent injury. Maintenance operators and installers require appropriate skills and tools. Tubing temperature may exceed 100°C and can cause severe burns.

△ Ensure that periodic service inspections to ensure system reliability and as required by local regulations are performed.

To prevent system related problems, following periodic maintenance is recommended:

- Verify that safety devices are operational and properly set.
- Ensure that the system is leak tight.
- Check the compressor current draw.
- Confirm that the system is operating in a way consistent with previous maintenance records and ambient conditions.
- Check that all electrical connections are still adequately fastened.
- Keep the unit clean and verify the absence of rust and oxidation on the unit components, tubes and electrical connections.

Instructions

The condenser must be checked at least once a year for clogging and be cleaned if deemed necessary. Access to the internal side of the condenser takes place through the fan door. Microchannel coils tend to accumulate dirt on the surface rather than inside, which makes them easier to clean than fin-&-tube coils.

- Switch off the unit at main switch before opening the fan door.
- Remove surface dirt, leaves, fibres, etc. with a vacuum cleaner, equipped with a brush or other soft attachment. Alternatively, blow compressed air through the coil from the inside out, and brush with a soft bristle. Do not use a wire brush. Do not impact or scrape the coil with the vacuum tube or air nozzle.

If the refrigerant system has been opened, the system has to be flushed with dry air or nitrogen to remove moisture and a new filter drier has to be installed. If evacuation of refrigerant has to be done, it shall be done in such a way that no refrigerant can escape to the environment.

15 - Warranty

Always transmit the model number and serial number with any claim filed regarding this product. The product warranty may be void in following cases:

- Absence of nameplate.
- External modifications; in particular, drilling, welding, broken feet and shock marks.
- Compressor opened or returned unsealed.
- Rust, water or leak detection dye inside the compressor.

- Use of a refrigerant or lubricant not approved by Danfoss.
- Any deviation from recommended instructions pertaining to installation, application or maintenance.
- Use in mobile applications.
- Use in explosive atmospheric environment.
- No model number or serial number transmitted with the warranty claim.

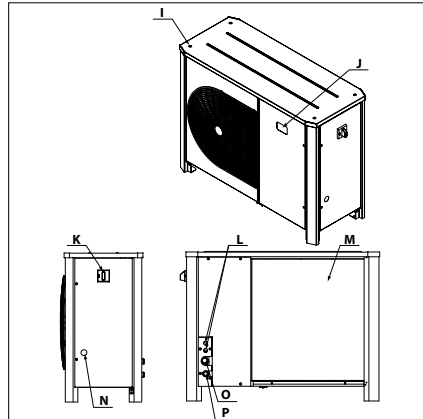
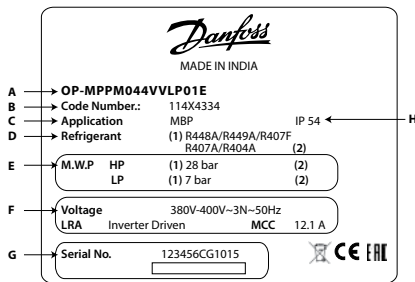
16 - Disposal



Danfoss recommends that condensing units and oil should be recycled by a suitable company at its site.

Optyma™ Plus INVERTER

Kondensatoraggregater OP-MPLM, OP-MPPM



- I:** Monteringshuller til stablet montering
- J:** Elektronisk regulatordisplay
- K:** Hovedafbryder
- L:** Kabelgennemføringer
- M:** Micro Channel kondensator
- N:** Skueglas
- O:** Sugetilslutning
- P:** Væsketilslutning

- A:** Model
- B:** Bestillingsnummer
- C:** Anvendelse
- D:** Kølemiddel
- E:** Maximalt arbejdstryk
- F:** Forsyningsspænding, MCC (Maximum Current Consumption)
- G:** Serienummer og stregkode
- H:** Beskyttelse

⚠ Kondenseringsaggregatet må kun anvendes til det/de formål, det er beregnet til, og inden for dens anvendelsesområde.

⚠ EN378 (og andre gældende lokale sikkerhedsbestemmelser) skal altid overholdes.

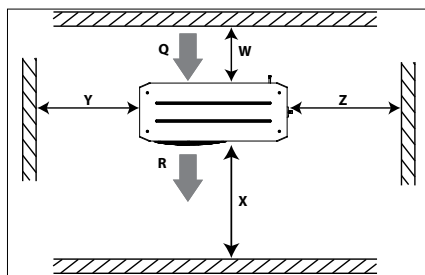
Kondenseringsaggregatet leveres med et nitrogengastryk (1 bar), og kan derfor ikke umiddelbart tilsluttes. Se afsnittet «montering» for yderligere oplysninger.

Kondenseringsaggregatet skal håndteres oprejst med forsigtighed (maks. hældning fra vertikal: 15°)

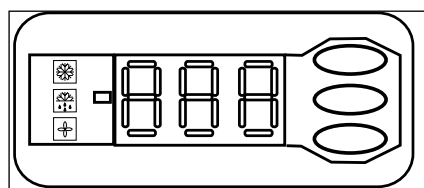
Kompressor i kondenseringsaggregat må under ingen omstændigheder tilsluttes direkte til netværket, kun via originale omformere fra Danfoss.

⚠ Denne enhed indeholder en frekvensomformer og et EMI-filter med kondensatorer. Afbryd vekselstrømmen, og vent mindst 4 minutter, indtil alle elektriske dele ikke længere er strømførende, før døren åbnes for at udføre servicearbejde eller reparation. Det kan medføre død eller alvorlig personskade, hvis der ikke ventes i det angivne tidsrum, efter strømmen er blevet frakoblet

⚠ Kondenseringsaggregatet må kun monteres og serviceres af uddannet personale. Følg denne vejledning og almindelig køleteknisk praksis i forbindelse med montering, idriftsættelse, vedligeholdelse og servicering.



Billede 1: Minimumsafstande ved montering



Billede 2: Elektronisk regulatordisplay

Kompressoren kører

Krumtaphusvarme til

Ventilatoren kører

Temperaturværdi for sugetryk. Tryk på den nederste knap for at skifte til temperaturværdien for kondenseringstrykket

Enhed	Q: Luft ind				R: Luft ud			
	W [mm]	X [mm]	Y [mm]	Z [mm]	W [mm]	X [mm]	Y [mm]	Z [mm]
Hus 3	250	760	581	581				



Billede 3: Normal ledningsføring



Billede 4: Midlertidig ledningsføring

Vejledning

1 – Introduktion

Denne vejledning omhandler Optyma™ Plus kondenseringsaggregaterne OP-MPLM, OP-MPPM der bruges til kølesystemer. Vejledningen indeholder oplysninger om sikkerhed og korrekt anvendelse af produktet.

Kondenseringsaggregaterne omfatter følgende:

- Micro Channel kondensator
- Scrollkompressorer med variabel hastighed
- Receiver med stopventil
- Olieudskiller
- Kugleventiler
- Skueglas
- Høj- og lavtrykspressostat
- Tørrefilter
- Elektronisk regulator
- Kompressorrev med EMC-filer
- Hovedafbryder (hovedafbryder med overbelastningssikring)
- Ventilator-kondensatorer
- Kompressor-kontakter
- Robust, vejrbestandigt hus

2 – Håndtering og opbevaring

- Emballagen bør ikke åbnes, før aggregatet befinder sig på det endelige monteringssted.
- Vær forsigtig ved håndtering af aggregatet. Emballagen kan løftes med gaffeltruck eller palleløfter. Brug passende og sikkert løfteudstyr.
- Aggregatet skal opbevares og transporteres i opret stilling.
- Aggregatet skal opbevares ved temperaturer mellem -35 °C og 50 °C.
- Emballagen må ikke udsættes for regn eller korroderende atmosfærer.
- Kontrollér, at aggregatet er komplet og uden skader efter udpakning.

3 – Foranstaltninger ved montering

⚠ Aggregatet må aldrig anvendes i brændbar atmosfære.

⚠ Aggregatet skal anbringes, så det ikke blokerer eller hindrer gangområder, døre, vinduer eller lignende.

- Der skal være plads nok omkring aggregatet til at sikre luftcirkulation og til, at lågere kan åbnes. Minimumsafstandene til væggene angivet i billede 1.
- Undgå at aggregatet monteres på steder, det dagligt udsættes for direkte sollys over længere perioder.
- Undgå at aggregatet monteres i aggressive og stovede miljøer.
- Kontroller at fundamentet har en vandret overflade (et fald på mindre end 3°), der er stærk og stabil nok til at bære hele aggregatets vægt og undgå vibrationer og forstyrrelser.
- Aggregatets omgivelsestemperatur må ikke overstige 50 °C, når det er slukket.
- Kontrollér, at strømforsyningen svarer til aggregatets specifikationer (se typeskiltet).
- Når aggregater monteres til HFC-kølemidler, skal der anvendes udstyr, som er forbeholdt HFC-kølemidler, og som aldrig har været anvendt til CFC- eller HCFC-kølemidler.
- Anvend rene og tørre kølemiddelegnede køberrør og slaglodmateriale med sølvlegering.
- Anvend rene og tørre anlægsdele.
- Sugerørene, som er forbundet med kompressoren, skal være fleksible i tre dimensioner for at kunne dæmpe vibrationerne. Rørføringen skal

desuden være udført, så olien kan løbe tilbage til kompressoren, og så risikoen for væskeslag undgås.

4 – Montering

- Den installation, som kondenseringsaggregatet monteres i, skal være i overensstemmelse med Trykudstyrsdirektivet (PED) nr. 97/23/EF. Kondenseringsaggregatet er ikke i sig selv omfattet af direktivet.
- Det anbefales at montere aggregatet på gummi-fodder eller vibrationsdæmpere (medfølger ikke).
- Tøm langsomt nitrogenfyldningen ud gennem schrader-porten.
- Slut aggregatet til anlægget så hurtigt som muligt for at undgå oliekontaminering fra fugtighed i omgivelserne.
- Sørg for, at der ikke kommer spåner eller lignende ind i anlægget, når der skæres rør. Bør aldrig huller, hvis graterne ikke kan fjernes.
- Vær meget forsigtig ved slaglodning. Anvend altid de sidste nye teknikker, og benyt baggas under lodning.
- Tilslut de nødvendige sikkerheds- og reguleringsanordninger. Hvis schrader-porten anvendes til dette formål, skal den indvendige ventil fjernes.
- Det anbefales at isolere sugerøret frem til kompressorstudsens med 19 mm tyk isolering.

5 – Læksøgning

⚠ Kredsløbet må aldrig trykprøves med oxygen eller tør luft. Dette kan medføre brand eller eksplosion.

- Anvend ikke sporstoffer til læksøgning.
- Udfør en læksøgning på hele anlægget.

6 – Vakuumsugning

- Kompressoren må aldrig anvendes til tomsugning af anlægget.
- Slut en vakuumpumpe til både lavtryks- og højtryksiden.
- Tomsug anlægget til et absolut tryk på 500 µm Hg (0,67 mbar).
- Der må hverken anvendes et megohmmeter eller sluttes strøm til kompressoren, mens den er under vakuum, da dette kan forårsage indvendige skader. (Lysbue = kortslutning imellem viklingerne).

7 – Elektriske tilslutninger

- Afbryd hovedstrømforsyningen.
- Det skal sikres, at strømforsyningen ikke kan slås til under monteringsarbejdet.
- Alle elektriske komponenter skal vælges
- Beskyt strømforsyningen, og kontrollér, at jordingen er udført korrekt.
- Lækstrømmen til stel overstiger 3,5 mA. Der kan leveres jævnstrøm til beskyttelseslederen. Hvis der anvendes en fejlstrømsafbryder (HFI) til beskyttelse i tilfælde af direkte eller indirekte kontakt, er det kun tilladt at bruge en HFI af typen B på dette produkts forsyningside.
- Strømforsyningen skal etableres i henhold til lokale standarder og lovkraft.
- I it-forsyningsspændingsystemer skal RFI-kontakten åbnes ved at fjerne RFI-skruen på venstre side af frekvensomformereren (se Hurtig vejledning MG-18Mxxx §1.2.3).
- Aggregatet er udstyret med et elektronisk styresystem. Du finder yderligere oplysninger i vejledningen RS8GDxxx.

- Aggregatet har en hovedafbryder med overbelastningssikring. Overbelastningssikringen er indstillet fra fabrikken, men det anbefales at kontrollere dens værdi, før aggregatet sættes i drift. Overbelastningssikringens værdi er angivet på el-diagrammet, der sidder på aggregatets forreste dør.
- Aggregatet har høj- og lavtrykspressostater, der straks afbryder strømforsyningen til kompressoren, hvis de udløses. Parametrene for afbrydelse ved højt og lavt tryk er forudindstillet i regulatoren, der er tilpasset den kompressor, der er monteret i aggregatet.
- Enheden er udstyret med kompressorrev til hastighedsstyring. Det er obligatorisk at tilslutte kompressor via dens omformer, som vises på eldiagrammet i denne instruktion.

Det skal kontrolleres, at fasesekvensen for kompressorens rotationsretning er korrekt.

- Korrekt fasesekvens for kompressorforsyning er sikret fra frekvensomformer og fabriksledningsføring
- Forbindelser fra frekvensomformer til kompressorterminaler er vist i ledningsdiagrammet.

8 – Fyldning af anlægget

- Kompressoren må ikke startes under vakuum. Kompressoren skal være slukket.
- Brug kun det kølemiddel, aggregatet er beregnet til.
- Fyld kølemiddel i væskefase i kondensatoren eller væskesamleren. Sørg for en langsom påfyldning af systemet til 4-5 bar
- Restfyldningen udføres først, når anlægget har nået en stabil nominal driftstilstand.
- Fyldningen skal ligge så tæt op ad den nominelle fyldning i anlægget som muligt for at undgå lavtryksdrift og for stor overophedning. For VLZ028-044 er den maksimale kølemiddelfyldning 3,6 kg. Over denne grænse skal kompressor beskyttes mod væsketilbageløb med en pump-down cyklus på mindst 2,3 bar (g) til R448A/R449A / 2,3 bar(g) til R407F/ 2,3 bar(g) til R407A/ 2,3 bar(g) til R404A eller en sugeledningsbeholder.
- Efterlad aldrig kølemiddelflasken tilsluttet kredsløbet.

9 – Indstilling af det elektroniske styresystem

- Enheden har et elektronisk styresystem, der fra fabrikken er programmeret med parametre, der skal bruges med det pågældende aggregat. Læs mere i Manualen RS8GDXXX.
- Det elektroniske styresystem viser som standard temperaturværdier for sugetrykket i °C. Tryk på den nederste knap (billede 2) for at vise temperaturværdien for kondenseringsstrykket.

Det elektroniske styresystem er fabriksindstillet til brug med kølemiddel R449A. Hvis der bruges andet kølemiddel, skal kølemiddellindstillingen ændres. Parameter r12 skal først indstilles til 0 (softwarehovedafbryder = fra).

- Hold den øverste knap inde i et par sekunder. Den første parameterkode vises.
- Tryk på den øverste eller nederste knap for at finde parameterkode o30.
- Tryk på den midterste knap, indtil værdier for denne parameter vises.
- Tryk på den øverste og nederste knap for at vælge den nye værdi: 17 = R507A, 19 = R404A, 21 = R407A, 37 = R407F, 40 = R448A, 41 = R449A.

Vejledning

- Tryk på den midterste knap for at bekræfte den valgte værdi.
- Gå tilbage til parameter r12, og skift den til 1.
- Rediger om nødvendigt også parameter r23 til det ønskede sugetryk (°C/°F).
- Skift parameter c33 for pump down-værdi efter dine behov.

10 – Godkendelse inden idriftsættelse

△ Anvend sikkerhedsanordninger som f.eks. sikkerhedspressostater og mekaniske sikkerhedsventiler, som både overholder generelle og lokale sikkerhedsbestemmelser og sikkerhedsstandarder. Sørg for, at de fungerer og er indstillet korrekt.

△ Kontrollér, at indstillingerne på højtrykspresostaterne og sikkerhedsventilerne ikke overstiger det maksimale driftstryk på nogen af anlæggets dele.

- Kontrollér, at alle elektriske tilslutninger er korrekt fastgjorte og overholder de lokale bestemmelser.
- Når der anvendes krumtaphusvarmeelement, skal den aktiveres mindst 12 timer før den første opstart og før opstart efter langvarige standsninger for at fjerne kølemiddel i flydende fase fra kompressoren. Fjern DI1-stikket fra regulatoren for at undgå kompressorstart, og tænd for hovedkontakten i denne periode.
- Aggregatet har en hovedafbryder med overbelastningssikring. Overbelastningssikringen er forudindstillet fra fabrikken, men det anbefales at kontrollere dens værdi, før aggregatet sættes i drift. Overbelastningssikringens værdi er angivet på el-diagrammet, der sidder på aggregatets forreste dør.

11 – Opstart

- Start aldrig aggregatet, hvis der ikke er påfyldt kølemiddel.
- Alle serviceventiler skal være åbne.
- Kontrollér, at strømforsyningen passer til aggregatet.
- Kontrollér, at krumtaphusvarmeren er tilsluttet og fungerer.
- Kontrollér, at ventilatoren kan rotere frit.
- Afbalancer højtrykket/lavtrykket.
- Tænd for aggregatet. Det skal starte med det samme. Hvis kompressoren ikke starter, skal ledningsføringen og klemmernes spænding kontrolleres.
- En 3-faset kompressors omvendte omdrejningsretning vil blive registreret af regulatoren og kan registreres ved hjælp af følgende fænomener: Kompressoren opbygger ikke tryk, dens lydniveau er unormalt højt, og dens strømforbrug er unormalt lavt. I dette tilfælde skal aggregatet slukkes med det samme, og faserne sluttes til de korrekte klemmer.
- Hvis omdrejningsretningen er korrekt, viser lavtryksangivelsen på regulatoren (eller på lavtryksmanometret) et faldende tryk, og højtryksangivelsen (eller højtryksmanometret) viser et stigende tryk.

12 – Kontrol med kørende aggregat

- Kontrollér ventilatorens omdrejningsretning. Luften skal strømme fra kondensatoren mod ventilatoren.
- Kontrollér strømforbrug og spænding.
- Kontrollér sugeoverhedningen for at reducere risikoen for væskeslag.

- Den optimale sugeoverhedning for kompressoren ligger på ca. 6 K. Den maksimalt tilladte overhedning er på 30 K.

Kontrollér olieniveauet ved opstart og under driften for at bekræfte, at olieniveauet er synligt. Overdreven skumning i olieskueglas angiver kølemiddel på oliesumpen.

- Hold øje med olieskueglasset i omkring 1 time efter normaldrift for at sikre, at olien vender tilbage til kompressoren. Dette olietjek skal foretages over hele omdrejningsområdet for at garantere:
 - en god olietilbageføring ved lav omdrejning med mindste gashastighed.
 - en god oliestyling ved høj omdrejning med højeste oliegennemstrømning.
 - Når der er monteret et skueglas, skal oliestanden kontrolleres ved start og under drift for at bekræfte, at oliestanden stadig kan ses.
 - Driftsbegrænsningerne skal overholdes.
 - Undersøg alle rør for unormale vibrationer. Hvis der er bevægelser på mere end 1,5 mm, skal der træffes korrigerende foranstaltninger, som f.eks. montering af rørbøjler.
 - Hvis det er nødvendigt, kan der tilføjes et ekstra kølemiddel i væskefase i lavtryksiden så langt væk som muligt fra kompressoren. Kompressoren skal køre under denne proces.
 - Anlægget må ikke overfyldes.
 - Slip aldrig kølemiddel ud i atmosfæren.
 - Inden monteringsstedet forlades, udføres et generelt monteringseftersyn, hvor renlighed, støj og tæthed kontrolleres.
 - Notér både kølemiddeltypen og -fyldningen foruden driftsbetingelserne. Dette anvendes som referencepunkt ved fremtidige eftersyn.
- Kompressoren opbygger ikke tryk: Kontrollér alle bypassventiler i anlægget for at sikre, at ingen af dem er blevet åbnet. Kontrollér også, at alle magnetventiler er i korrekt position.

- Unormal driftsstøj: Kontrollér, at der ikke er væsketilbageløb til kompressoren, ved at måle returgasoverhedningen og kompressorens oliesumpstemperatur. Oliesumpen bør være mindst 6K over mættet sugningstemperatur under stabile driftsforhold.
- Højtrykspresostaten slår fra: Kontrollér kondensatordrift (kondensatoriltumdning, ventilatordrift, vandgennemstrømning og vandtrykventil, vandfilter osv.). Hvis alt dette er i orden, kan problemet enten skyldes overhedning af kølemidlet eller tilstedeværelsen af noget ikke-kondenserbart (f.eks. luft eller fugt) i kredsløbet.
- Lavtrykspresostaten slår fra: Kontrollér fordampdrift (fordampers renhed, ventilatordrift, væskeflow, vandfilter osv.), kølemiddelvæskeflow og trykfald (magnetventil, filtertørrer, ekspansionsventil osv.) samt kølemiddelfyldning.
- Lav kølemiddelfyldning: Den korrekte kølemiddelfyldning angives af væskeskueglasset, kondensator-delta-T i relation til kølemiddeltryktabellerne (tryktemperatur), overhedning og underkøling osv. Se afsnit 8, hvis yderligere fyldning anses for nødvendig.

13 – Nøddrift uden regulator

Kondenseringsaggregatet kan stadig køre i tilfælde af regulatorsvigt, hvis regulatorens standardledningsføring (diagram1) ændres til en midlertidig ledningsføring (diagram2), som beskrevet herunder. △ Denne ændring må kun udføres af autoriserede elektrikere. Lokal lovgivning skal overholdes.

△ Afbryd kondenseringsaggregatet fra strømforsyningen (sluk for udstyrets hovedafbryder).

- Rumtermostatens kontakt skal kunne skifte til 250 VAC.
- Fjern ledning 22 (sikkerhedsindgang DI3) og ledning 6 (ventilatorforsyning), og sæt dem sammen. En ventilatortrykkontakt (f.eks. KP5) eller ventilatorhastighedsregulator (f.eks. XGE) kan serieforbindes til ledning nr. 6
- Fjern ledning 10 (omformerstart) og ledning 24 (rumtermostat), og sæt dem sammen
- Fjern ledning 11 (omformerstart) og ledning 25 (rumtermostat), og sæt dem sammen
- Fjern ledning 53 og 55 fra omformerterminaler, og tilslut en 10 kOhm potentiometer som vist nedenfor:
 - Ledning 1 til omformerterminal 55
 - Ledning 2 til omformerterminal 53
 - Ledning 3 til omformerterminal 50
- Drej knappen på potentiometeret til midterposition, hvilket omtrent svarer til en kompressorhastighed på 50 o/sek.
- Fjern ledning 14 (krumtaphusvarmer), og slut den til kompressorkontaktorens klemme 22.
- Fjern ledning 12 (forsyning til krumtaphusvarmer), forlæng denne ledning med 0,4 m ved hjælp af en isoleret muffe af typen 250 V AC 10 mm² muffe og et 1,0 mm² kabel, og slut den derefter til kompressorkontaktorens klemme 21.
- Fjern den store klemblok fra regulatorens klemme 10 til 19.
- Tilslut kondenseringsaggregatet til strømforsyningen (tænd for aggregatets hovedafbryder).
- Justér potentiometeret for at opnå den ønskede hastighed.
- Udskift regulatoren så hurtigt som muligt.

14 – Vedligeholdelse

△ Sluk altid for aggregatet på hovedkontakten, og vent 4 minutter (kondensatorafgangtid), før ventilatorens dør(e) åbnes, for at undgå elektrisk stød.

Selv når hovedkontakten er slukket, er der spænding ved indgangsterminalerne på hovedkontakten, og dette bør tages i betragtning under vedligeholdelse og service.

△ Det indvendige tryk og overfladetemperaturen er farlige og kan forårsage permanente skader. Serviceteknikerne skal have de rette kvalifikationer og være i besiddelse af egnede værktøjer. Temperaturen i rørene kan overstige 100 °C og kan forårsage alvorlige forbrændinger.

△ Foretag regelmæssige eftersyn for at sikre anlæggets driftssikkerhed og som foreskrevet i lokale bestemmelser.

Følgende regelmæssige vedligeholdelse anbefales for at forhindre anlægsrelaterede problemer:

- Kontrollér, at sikkerhedsanordningerne fungerer og er indstillet korrekt.
- Sørg for, at anlægget er tørt.
- Kontrollér kompressorens strømforbrug.
- Kontrollér, at anlægget fungerer i overensstemmelse med tidligere vedligeholdelsesoptegnelser og omgivende forhold.
- Kontrollér, at alle elektriske tilslutninger stadig er ordentligt fastgjorte.
- Sørg for, at aggregatet er rent, og at der ikke er rust eller oxideringer på aggregatets komponenter, rør eller elektriske tilslutninger.

Vejledning

Kondensatoren skal efterses mindst én gang årligt for tilstopning og rengøres, hvis det anses for nødvendigt. Adgang til kondensatorens indvendige side sker gennem ventilatorens dør. Mikrokanal kondensatorer er tilbøjelige til at akkumulere snavs på overfladen og ikke indvendigt, og de er derfor nemmere at rengøre end kondensator med ribber og rør.

- Sluk altid for aggregatet på hovedafbryderen, før ventilatorens dør åbnes.
- Fjern overfladisk snavs, blade, fibre osv. med en støvsuger med børste eller andet blødt tilbehør. Der kan alternativt blæses trykluft gennem kondensatoren indefra og ud, hvorefter kondensatoren børstes med en blød børste. Brug ikke en stålrådsbørste. Rør ikke ved kondensatoren med støvsugerrøret eller luftdysen, og rids den ikke.

Hvis køleanlægget har været åbnet, skal anlægget gennemblæses med tør luft eller nitrogen for at fjerne evt. fugt, og der skal monteres et nyt tørrefilter. Hvis et kølemiddel skal tømmes af, skal det ske på en måde, så der ikke frigives kølemiddel til miljøet.

15 – Garanti

Indsend altid modelnummer og serienummer sammen med en evt. skadesanmeldelse for dette produkt.

Produktgarantien kan bortfalde i følgende tilfælde:

- Manglende typeskilt.
- Udvendige ændringer, i særdeleshed boring, svejsning, ødelagte fødder og stødmærker.
- Kompressoren har været åbnet eller er returneret uden forsejling.

- Der er rust, vand eller farvestof til registrering af læk inden i kompressoren.
- Der er anvendt kølemiddel eller smøremiddel, som ikke er godkendt af Danfoss.
- De anbefalede anvisninger angående montering, anvendelse eller vedligeholdelse er ikke fulgt.
- Produktet er anvendt i mobile applikationer.
- Produktet er anvendt i et eksplosivt miljø.
- Der er ikke indsendt et modelnummer eller et serienummer sammen med garantianmeldelsen.

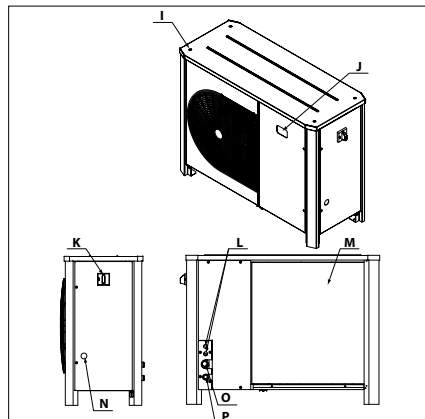
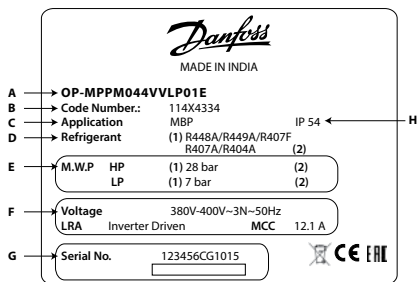
16 – Bortskaffelse



Danfoss anbefaler, at kondenseringsaggregater og olie genanvendes af en egnet virksomhed.

Optyma™ Plus INVERTER

Verflüssigungssätze OP-MPLM, OP-MPPM



- I:** Bohrungen für Stapelmontage
- J:** Display des elektronischen Reglers
- K:** Hauptschalter
- L:** Kabeleinführungen
- M:** Microchannel-Wärmeübertrager
- N:** Schauglas
- O:** Saugleitungsanschluss
- P:** Flüssigkeitsleitungsanschluss

- A:** Typ
- B:** Bestellnummer
- C:** Anwendung
- D:** Kältemittel
- E:** Zul. Betriebsüberdruck
- F:** Versorgungsspannung, max. Stromaufnahme
- G:** Seriennummer und Strichcode
- H:** Schutzart



⚠ Der Verflüssigungssatz darf nur für den vorgesehenen Zweck und im entsprechenden Anwendungsbereich eingesetzt werden.

⚠ Die Bestimmungen gemäß EN378 (und alle anderen in Ihrem Land geltenden Sicherheitsvorschriften) müssen unbedingt eingehalten werden.

Bei Lieferung ist der Verflüssigungssatz mit gasförmigem Stickstoff gefüllt, der unter einem Druck von 1 bar steht. In diesem Zustand darf der Verflüssigungssatz nicht angeschlossen und betrieben werden. Näheres hierzu erfahren Sie im Abschnitt „Montage“.

Der Verflüssigungssatz muss in vertikaler Position montiert werden (maximale Abweichung von der Senkrechten: 15 °)

Der Verdichter eines Verflüssigungssatzes kann nicht direkt an das Stromnetzwerk angeschlossen werden. Dies kann nur über den dafür vorgesehenen Frequenzumrichter von Danfoss erfolgen.



Diese Einheit enthält einen Frequenzumrichter und einen EMI-Filter mit Kondensatoren. Unterbrechen Sie die Netzspannung (AC) und warten Sie mindestens vier Minuten ab, damit alle elektrischen Teile spannungsfrei sind, bevor die Tür zum Durchführen von Wartungs- oder Reparaturarbeiten geöffnet wird. Die Nichteinhaltung der Zeitvorgabe zum Abwarten nach dem Trennen der Stromversorgung kann zu Tod oder schweren Verletzungen führen.



Montage und Wartung der Verflüssigungssätze sollten ausschließlich qualifiziertem Fachpersonal überlassen werden. Befolgen Sie diese Anleitung sowie die allgemein anerkannten Regeln für Einbau, Inbetriebnahme, Wartung und Instandhaltung von Kältetechnischen Anlagen.

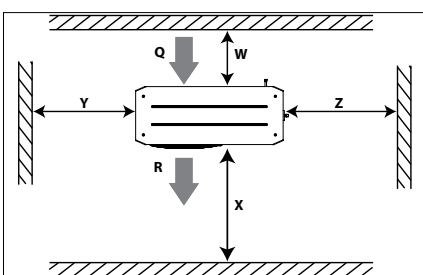


Bild 1: Mindestmontageabstände

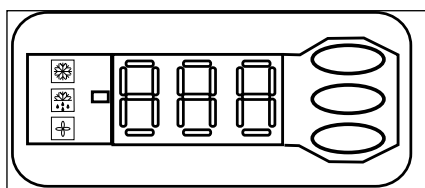


Bild 2: Display des elektronischen Reglers



Verdichter in Betrieb



Kurbelwellenheizung in Betrieb



Lüfter in Betrieb



Temperaturwert für den Saugdruck. Untere Taste drücken, um zum Temperaturwert für den Verflüssigungsdruck zu wechseln.

Q: Lufteintritt

R: Luftaustritt

Einheit	B [mm]	X [mm]	Y [mm]	Z [mm]
Gehäuse 3 (Bestellnr. 114X33- bzw. 114X43-)	250	760	581	581



Bild 3: Normale Verdrahtung



Bild 4: Vorläufige Verdrahtung für Notbetrieb

Anleitung

1. Einleitung

Diese Anleitung bezieht sich auf die Verflüssigungssätze der Produktreihe Opty™ Plus neue Generation OP-MPLM, OP-MPPM für Kälteanlagen. Sie enthält die erforderlichen Angaben für eine sichere und ordnungsgemäße Nutzung dieser Produkte.

Der Verflüssigungssatz enthält folgende Bauteile:

- Microchannel-Wärmeübertrager
- Drehzahlregelbarer Scrollverdichter
- Sammler mit Absperrventil
- Ölabscheider
- 2 Kugelabsperrventile
- Schauglas
- Hoch- & Niederdruckschalter (Patrone)
- Filtertrockner
- Elektronischer Regler
- Frequenzumrichter mit EMV-Filter
- Notausschalter (Hauptschalter mit Überlastschutz)
- Lüfter Kondensatoren
- Verdichterschütz
- Robustes, wetterfestes Gehäuse

2. Handhabung und Lagerung

- Es wird empfohlen, die Verpackung erst am endgültigen Montageort zu öffnen.
- Handhaben Sie das Gerät pfleglich. Die Verpackung gestattet den Einsatz eines Gabelstaplers oder Hubwagens. Verwenden Sie ausschließlich geeignete und sichere Hebezeuge.
- Der Verflüssigungssatz darf nur aufrecht stehend transportiert und gelagert werden.
- Zulässige Lagertemperatur: -35 °C bis 50 °C.
- Die Verpackung darf weder Regen, noch ätzenden Atmosphären ausgesetzt werden.
- Vergewissern Sie sich nach dem Auspacken, dass der Verflüssigungssatz vollständig und unbeschädigt ist.

3. Sicherheitsvorkehrungen bei der Installation

⚠ Stellen Sie den Verflüssigungssatz niemals in einer explosionsfähigen Atmosphäre auf.

⚠ Achten Sie bei der Positionierung des Verflüssigungssatzes darauf, dass keine Durchgänge, Türen, Fenster oder Ähnliches blockiert werden.

- Achten Sie darauf, dass ausreichend Platz um den Verflüssigungssatz gelassen wird, damit die Luft zirkulieren kann und sich sämtliche Türen öffnen lassen. Die Mindestabstände zu den Wänden entnehmen Sie bitte Bild 1.
- Installieren Sie den Verflüssigungssatz NICHT an Orten, die täglich längerer Sonneneinstrahlung ausgesetzt sind.
- Installieren Sie den Verflüssigungssatz NICHT in aggressiven oder staubigen Umgebungen.
- Stellen Sie den Verflüssigungssatz auf einer horizontalen Fläche (mit weniger als 3 Grad Neigung) auf. Der Boden sollte eine ausreichende Tragfähigkeit besitzen, um das Gewicht des gesamten Verflüssigungssatzes tragen zu können, und stabil genug sein, um Vibrationen und Interferenzen zu eliminieren.
- Im Aus-Zustand darf die Umgebungstemperatur des Verflüssigungssatzes 50 °C nicht überschreiten.
- Vergewissern Sie sich, dass die Versorgungsspannung den Motoreigenschaften des Verflüssigungssatzes entspricht (siehe Typenschild).
- Verwenden Sie bei der Installation der Verflüssigungssätze für FKW-Kältemittel nur Teile, die speziell für FKW-Kältemittel vorgesehen sind und die zuvor nicht in Anlagen mit FCKW- oder HFCKW-Kältemitteln eingesetzt wurden.
- Verwenden Sie saubere und trockene für Kältemittel geeignete Kupferrohre und eine Silberlegierung als Lötmaterial.
- Benutzen Sie saubere und trockene Anlagenkomponenten.

- Die an den Verdichter angeschlossene Saugleitung muss in alle 3 Dimensionen flexibel sein, um Vibrationen zu dämpfen. Darüber hinaus muss die Verrohrung so erfolgen, dass der Ölrücklauf zum Verdichter sichergestellt ist und dass das Risiko von Flüssigkeitsschlägen im Verdichter ausgeschlossen ist.

4. Installation

- Die Anlage, in die der Verflüssigungssatz eingebaut wird, muss der Druckgeräterichtlinie (DGRL) Nr. 97/23/EG entsprechen. Der Verflüssigungssatz selbst ist kein „Gerät“ im Sinne dieser Richtlinie.
- Es wird empfohlen, den Verflüssigungssatz auf Montagegummis oder Schwingungsdämpfern (nicht im Lieferumfang enthalten) zu montieren.
- Lassen Sie die Stickstoff-Füllung langsam durch den Schraderanschluss ab.
- Schließen Sie den Verflüssigungssatz möglichst schnell an die Anlage an, um eine Kontamination des Öls durch Feuchte aus der Atmosphäre zu vermeiden.
- Verhindern Sie, dass beim Zuschneiden der Rohrleitungen Fremdkörper in die Anlage eindringen. Bohren Sie niemals Löcher, deren Grate nicht entfernt werden können.
- Lassen Sie beim Lötten größte Vorsicht walten. Verwenden Sie nur modernste Lötverfahren und durchströmen Sie dabei die Rohrleitungen mit gasförmigem Stickstoff.
- Schließen Sie die erforderlichen Sicherheits- und Steuergeräte an. Falls der Schraderanschluss verwendet wird, entfernen Sie das interne Ventil.
- Es wird empfohlen, die Saugleitung bis zum Verdichtereintritt mit einer 19 mm dicken Isolierung zu dämmen.

5. Lecksuche

⚠ Setzen Sie den Kreislauf niemals mit Sauerstoff oder trockener Luft unter Druck. Das könnte einen Brand oder eine Explosion verursachen.

- Benutzen Sie für die Lecksuche keinen Farbstoff.
- Unterziehen Sie die gesamte Anlage einer Dichtheitsprüfung.
- Der maximale Prüfdruck beträgt 32 bar.
- Reparieren Sie entdeckte Leckage und wiederholen Sie dann die Lecksuche.

6. Evakuieren

- Benutzen Sie niemals den Verdichter zur Evakuierung der Anlage.
- Schließen Sie sowohl an die Nieder- als auch an die Hochdruckseite eine Vakuumpumpe an.
- Evakuieren Sie die Anlage bis auf einen Absolutwert von 500 µm Hg (0,67 mbar).
- Verwenden Sie während der Evakuierung kein Megohmmeter und legen Sie auch keine Spannung an den Verdichter an, um eine Beschädigung des Verdichters zu vermeiden.

7. Elektrische Anschlüsse

- Schalten Sie die Spannungsversorgung ab und trennen Sie den Verflüssigungssatz vom Netz.
- Stellen Sie sicher, dass die Spannungsversorgung während der Installation nicht eingeschaltet werden kann.
- Die Auswahl aller elektrischen Bauteile muss gemäß den landesspezifischen Normen und Vorschriften für Verflüssigungssätze erfolgen.
- Näheres zu den elektrischen Anschlüssen entnehmen Sie dem Schaltplan.
- Stellen Sie sicher, dass die Versorgungsspannung den Eigenschaften des Verflüssigungssatzes entspricht und stabil anliegt (Nennspannung ±10 % und Nennfrequenz = ±2,5 Hz)
- Dimensionieren Sie die Spannungsversorgungskabel gemäß der für den Verflüssigungssatz vorgegebene Spannung und Stromstärke.

- Schützen Sie die Spannungsversorgung und stellen Sie deren ordnungsgemäße Erdung sicher.
- Der Ableitstrom übersteigt 3,5 mA. Der Schutzleiter kann mit Gleichstrom versorgt werden. Wenn ein Fehlerstromschutzschalter (RCD) zum Schutz bei direktem oder indirektem Kontakt verwendet wird, darf auf der Versorgungsseite dieses Produkts nur ein Fehlerstromschutzschalter vom Typ B eingesetzt werden.
- Die Spannungsversorgung muss den Normen und gesetzlichen Bestimmungen Ihres Landes entsprechen.
- Öffnen Sie bei IT-Stromversorgungssystemen den RFI-Schalter, indem Sie die RFI-Schraube auf der linken Seite des Frequenzumrichters entfernen (siehe Kurzanleitung MG18Mxxx §1.2.3).
- Der Verflüssigungssatz ist mit einem elektronischen Regler ausgestattet. Näheres entnehmen Sie dem Handbuch „Manual RS8GDxxx“.
- Der Verflüssigungssatz ist mit einem Hauptschalter mit Überlastschutz ausgestattet. Der Überlastschutz ist werkseitig voreingestellt. Es wird jedoch empfohlen, den Wert vor der Inbetriebnahme des Verflüssigungssatzes zu überprüfen. Den Wert für den Überlastschutz finden Sie im Schaltplan auf der Innenseite der Fronttür am Verflüssigungssatz.
- Die Anlage ist mit Hoch- und Niederdruckschaltern ausgestattet, die bei Aktivierung die Spannungsversorgung des Verdichters direkt unterbrechen. Die Parameter für die Hoch- und Niederdruck-Abschaltung durch den Regler sind im Regler voreingestellt und an den Verdichter in der Anlage angepasst.
- Der Verflüssigungssatz ist mit einem Frequenzumrichter für die Drehzahlregelung des Verdichters ausgestattet. Es ist zwingend erforderlich, den Verdichter wie auf dem Schaltplan dieser Anleitung gezeigt an den Frequenzumrichter anzuschließen.

Die ordnungsgemäße Phasensequenz / Phasenfolge für die Drehrichtung des Verdichters muss beachtet werden.

- Durch den Frequenzumrichter und die werkseitig ausgeführte Verdrahtung wird die ordnungsgemäße Phasensequenz / Phasenfolge vom Verdichter sichergestellt.
- Die Anschlüsse vom Frequenzumrichter zu den Verdichterklemmen werden im Schaltplan dargestellt.

8. Füllen der Anlage

- Nehmen Sie den Verdichter niemals unter Vakuum in Betrieb. Sorgen Sie dafür, dass der Verdichter ausgeschaltet ist und nicht plötzlich anspringt.
- Verwenden Sie ausschließlich das Kältemittel, auf das der Verflüssigungssatz ausgelegt ist.
- Füllen Sie das Kältemittel im flüssigen Zustand in den Verflüssiger oder Sammler. Stellen Sie sicher, dass die Anlage langsam auf 4–5 bar befüllt wird.
- Die Anlage wird dann weiter befüllt, bis die Anlage einen stabilen Betriebszustand erreicht hat.
- Die Füllmenge muss dem Nennwert der Anlagenfüllung möglichst genau entsprechen, um einen zu niedrigen Druck und eine übermäßige Überhitzung zu vermeiden. Bei VLZ028–044 beträgt die maximale Kältemittelfüllmenge 3,6 kg. Falls dieser Grenzwert überschritten werden sollte, muss der Verdichter mit einem Pump-Down-Schaltung versehen werden; (bei R448A/R449A nicht niedriger als auf 2,3 bar(g), bei R407F nicht niedriger als auf 2,3 bar(g), bei R407A nicht niedriger als auf 2,3 bar(g), bei R404A nicht niedriger als auf 2,3 bar(g)), oder mit einem Flüssigkeitsabscheider vor zurückströmendem Kältemittel geschützt werden.

Anleitung

- Lassen Sie den Einfüllstutzen niemals an den Kreislauf angeschlossen.

9. Einstellen des elektronischen Reglers

- Der Verflüssigungssatz ist ab Werk mit Parametern für den Einsatz in der jeweiligen Anlage programmiert. Näheres entnehmen Sie dem Handbuch „Manual RS8GDXXX“.
- Standardmäßig wird auf dem Display des elektronischen Reglers der Temperaturwert für den Saugdruck in °C angezeigt. Drücken Sie die untere Taste (Bild 2), um den Temperaturwert für den Verflüssigungsdruck anzuzeigen.

Der elektronische Regler ist werkseitig auf den Betrieb mit dem Kältemittel R449A eingestellt. Bei Verwendung eines anderen Kältemittels muss die Kältemittelleinstellung geändert werden. Der Parameter r12 muss zuerst auf 0 gesetzt werden (Software-Hauptschalter = Off), dann:

- Halten Sie die obere Taste einige Sekunden lang gedrückt. Der erste Parametercode wird angezeigt.
- Drücken Sie die obere oder untere Taste, um zum Parametercode o30 zu navigieren.
- Halten Sie die mittlere Taste gedrückt, bis der Wert für diesen Parameter angezeigt wird.
- Drücken Sie die obere bzw. untere Taste, um den neuen Wert auszuwählen: 17 = R507A, 19 = R404A, 21=R407A, 37=R407F, 40=R448A, 41=R449A.
- Drücken Sie die mittlere Taste, um den ausgewählten Wert zu bestätigen
- Gehen Sie zurück zum Parameter r12 und ändern Sie ihn auf 1.
- Stellen Sie ggf. auch Parameter r23 auf den gewünschten Saugdruck ein (°C/°F).
- Verändern Sie Parameter c33 für das Pump-Down entsprechend Ihren Anforderungen.

10. Abschließende Prüfung vor der Inbetriebnahme

⚠ Verwenden Sie gemäß den allgemeinen und landesspezifischen Sicherheitsnormen und -vorschriften Sicherheitsvorrichtungen wie Sicherheitsdruckschalter und mechanische Überdruckventile. Vergewissern Sie sich, dass diese Sicherheitsvorrichtungen funktionstüchtig und ordnungsgemäß eingestellt sind.

⚠ Überprüfen Sie, dass die Einstellungen für die Hochdruckschalter und Überdruckventile den maximalen Betriebsdruck jeglicher Bauteile der Anlage nicht überschreiten.

- Vergewissern Sie sich, dass sämtliche elektrischen Anschlüsse ordnungsgemäß befestigt sind und den Vorschriften Ihres Landes entsprechen.
- Die Kurbelwannenheizung muss mindestens zwölf Stunden vor der ersten Inbetriebnahme, sowie nach einer längeren Stillstandszeit der Anlage eingeschaltet werden, um flüssige Kältemittel aus dem Verdichter zu entfernen. Entfernen Sie den DI1-Stecker vom Regler, damit der Verdichter nicht eingeschaltet wird. Stellen Sie währenddessen den Hauptschalter in die Ein-Position.
- Der Verflüssigungssatz ist mit einem Hauptschalter mit Überlastschutz ausgestattet. Der Überlastschutz ist werkseitig voreingestellt. Es wird jedoch empfohlen, den Wert vor der Inbetriebnahme des Verflüssigungssatzes zu überprüfen. Den Wert für den Überlastschutz finden Sie im Schaltplan auf der Innenseite der Fronttür am Verflüssigungssatz.

11. Inbetriebnahme

- Der Verflüssigungssatz darf niemals ohne Kältemittel betrieben werden.
- Alle Serviceventile müssen geöffnet sein.
- Überprüfen Sie, ob die vorhandene Versorgungsspannung mit dem erforderlichen Wert für den Verflüssigungssatz übereinstimmt.

- Überprüfen Sie, ob der Startregler funktioniert.
- Überprüfen Sie, ob sich der Lüfter frei drehen kann.
- Nehmen Sie einen Ausgleich zwischen Hoch- und Niederdruckseite vor.
- Schalten Sie den Verflüssigungssatz ein. Der Verflüssigungssatz muss sofort anlaufen. Falls der Verdichter nicht anläuft, überprüfen Sie die Verdrahtung und die Spannung an den Klemmen.
- Der Regler erkennt, ob sich ein 3-Phasen-Verdichter in falscher Drehrichtung dreht. Zudem lässt sich die Bewegung in Gegenrichtung an folgenden Merkmalen erkennen: Der Verdichter baut keinen Druck auf. Der Verdichter entwickelt einen ungewöhnlichen hohen Geräuschpegel. Die Leistungsaufnahme des Verdichters ist ungewöhnlich niedrig. Bei falscher Drehrichtung muss der Verdichter sofort abgeschaltet werden um eine Korrektur zur richtigen Phasenfolge herzustellen.
- Bei korrekter Drehrichtung ist an der Niederdruckanzeige bzw. am Niederdruckmanometer ein sinkender Druck abzulesen – und an der Hochdruckanzeige bzw. am Hochdruckmanometer ein steigender Druck.

12. Überprüfung bei laufendem Verflüssigungssatz

- Überprüfen Sie die Drehrichtung des Lüfters. Die Luft muss vom Verflüssiger zum Lüfter strömen.
 - Überprüfen Sie Stromaufnahme und Spannung.
 - Überprüfen Sie die Überhitzung der Saugleitung, um das Risiko von Flüssigkeitsschlägen zu vermindern.
 - Die optimale saugseitige Überhitzung des Verdichters liegt bei ca. 6 K. Die höchstzulässige Überhitzung beträgt 30 K.
- Beobachten Sie den Ölstand beim Anlaufen und während des Betriebs, um sicherzustellen, dass der Ölstand sichtbar bleibt. Eine übermäßige Schaumbildung im Ölschauglas weist auf Kältemittel im Ölsumpf hin.
- Behalten Sie das Ölschauglas, nach ausgeglichener Zustand der Anlage diese noch eine Stunde, im Auge um eine ordnungsgemäße Ölrückführung zum Verdichter sicherzustellen. Der Ölstand muss über den gesamten Drehzahlbereich überprüft werden, um Folgendes zu garantieren:
 - eine ordnungsgemäße Ölrückführung bei geringer Drehzahl und minimaler Gasgeschwindigkeit
 - ein ordnungsgemäßes Ölmanagement bei hoher Drehzahl und maximaler Ölverlagerung.

- Beachten Sie die Betriebsgrenzen.
 - Überprüfen Sie alle Leitungen auf übermäßige Vibrationen. Bewegungen von mehr als 1,5 mm erfordern Korrekturmaßnahmen wie z. B. die Verwendung von Rohrhalterungen.
 - Ggf. kann auf der Niederdruckseite in größtmöglichem Abstand zum Verdichter flüssiges Kältemittel nachgefüllt werden. Während dieses Nachfüllvorgangs muss der Verdichter in Betrieb sein.
 - Überfüllen Sie die Anlage nicht.
 - Lassen Sie niemals Kältemittel in die Atmosphäre entweichen.
 - Führen Sie eine allgemeine Inspektion der Installation hinsichtlich Sauberkeit, Geräuschpegel und Leckage durch, bevor Sie den Installationsort verlassen.
 - Dokumentieren Sie die Art und Menge des Kältemittels sowie die Betriebsbedingungen als Referenz für künftige Inspektionen.
- Der Verdichter baut keinen Druck auf: Überprüfen Sie alle Bypass-Ventile in der Anlage, um sicherzustellen, dass keines dieser Ventile geöffnet ist. Vergewissern Sie sich auch, dass sich alle Magnetventile im korrektem Zustand befinden.
- Abnormale Laufgeräusche: Messen Sie die Überhitzung des Gases im Rücklauf sowie die Temperatur im Verdichtersumpf, um sicherzustellen, dass kein flüssiges Kältemittel in den

Verdichter zurückströmt. Die Temperatur im Ölsumpf sollte bei konstanten Betriebsbedingungen mindestens 6 K über der gesättigten Sauggastemperatur liegen.

- Der Hochdruckschalter löst aus: Überprüfen Sie den Verflüssiger (achten Sie auf Sauberkeit und kontrollieren Sie den Lüfterbetrieb, den Wasserdurchfluss, das Wasserdruckventil, den Wasserfilter usw.). Wenn all dies in Ordnung ist, könnte das Problem von einer Kältemittelüberfüllung oder durch „Fremdgas“ / Dämpfen (z. B. Luft, Feuchtigkeit) im Kreislauf herrühren.
- Die Niederdruckschalter löst aus: Überprüfen Sie den Verdampfer (Sauberkeit der Wärmetauscher, Lüfterbetrieb, Wasserdurchfluss, Wasserfilter usw.), den Fluss des flüssigen Kältemittels und die Druckabfälle (Magnetventil, Filtertrockner, Expansionsventil usw.) sowie die Kältemittelfüllmenge.
- Zu geringe Kältemittelfüllmenge: Die ordnungsgemäße Kältemittelfüllmenge wird im Schauglas angezeigt – bzw. durch die Temperaturdifferenz im Verflüssiger im Verhältnis zu den Kältemittel-Drucktabellen (Druck-Temperatur-Verhältnis), der Überhitzung und Unterkühlung usw. (falls eine zusätzliche Befüllung erforderlich ist, beachten Sie Abschnitt 8).

13. Notbetrieb ohne Regler

Bei Ausfall des Reglers kann der Verflüssigungssatz weiter betrieben werden, sofern die Standardverdrahtung des Reglers (Schaltplan 1) wie unten beschrieben modifiziert und in eine vorübergehende Verdrahtung (Schaltplan 2) geändert wird.

⚠ Diese Modifikation darf nur von qualifizierten Elektrikern und Personal mit der erforderlichen Sachkunde vorgenommen werden. Hierbei müssen die Vorschriften und Bestimmungen Ihres Landes beachtet werden.

⚠ Trennen Sie den Verflüssigungssatz von der Spannungsversorgung (drehen Sie den Notauschalter in die Aus-Position).

- Der Kontakt des Raumthermostats muss 250 VAC schalten können.
- Entfernen Sie die Ader 22 (Sicherheitseingang DI3) sowie die Ader 6 (Lüfterversorgung) und verbinden Sie diese Adern miteinander. Ein Lüfterdruckschalter (z. B. KP5) oder ein Lüfterdrehzahlregler (z. B. XGE) kann an die Ader 6 in Reihe geschaltet werden.
- Entfernen Sie die Ader 10 (Start Antrieb) sowie die Ader 24 (Raumthermostat) und verbinden Sie diese Adern miteinander.
- Entfernen Sie die Ader 11 (Start Antrieb) sowie die Ader 25 (Raumthermostat) und verbinden Sie diese Adern miteinander.
- Entfernen Sie die Adern 53 und 55 von den Antriebsklemmen und schließen Sie ein 10-kOhm-Potentiometer wie folgt an:
 - Ader 1 an Antriebsklemme 55
 - Ader 2 an Antriebsklemme 53
 - Ader 3 an Antriebsklemme 50
- Drehen Sie den Drehknopf des Potentiometers in die mittlere Position. Dies entspricht in etwa einer Verdichterdrehzahl von 50 U/s.
- Entfernen Sie den Draht 14 (Startregler) und schließen Sie ihn an die Klemme 22 des Verdichterschutzes an.
- Entfernen Sie den Draht 12 (Spannungsversorgung des Startreglers) und verlängern Sie diesen Draht. Verwenden Sie hierzu eine Klemmenbrücke (250 Vac, 10 mm²) und einen braunen Draht (1,0 mm²). Schließen Sie den Draht dann an die Klemme 21 des Verdichterschutzes an.
- Entfernen Sie den großen Klemmenblock von den Reglerklemmen 10 bis 19.
- Schließen Sie den Verflüssigungssatz an die Spannungsversorgung an (schalten Sie den Gerätehauptschalter ein).
- Stellen Sie das Potentiometer ein, um die gewünschte Drehzahl zu erhalten.

Anleitung

- Tauschen Sie den Regler so bald wie möglich aus.

14. Wartung

⚠ Schalten Sie den Verflüssigungssatz immer mit dem Hauptschalter aus und warten Sie vier Minuten (Entladezeit von Kondensatoren), bevor Sie die Wartungsklappen öffnen, um einen Stromschlag zu vermeiden.

Selbst wenn sich der Hauptschalter in der Aus-Position befindet, liegt an den Klemmen des Hauptschalters eine Spannung an. Beachten Sie dies bei Service- und Wartungsarbeiten.

⚠ Der in der Anlage herrschende Druck und die Oberflächentemperatur können dauerhafte körperliche Schäden verursachen. Die Bediener, Installateure und Wartungstechniker müssen dementsprechend geschult und ausgerüstet sein. Die Temperatur der Rohrleitungen kann 100 °C überschreiten und schwere Verbrennungen verursachen.

⚠ Stellen Sie sicher, dass regelmäßig Serviceinspektionen gemäß den Vorschriften Ihres Landes durchgeführt werden, um einen zuverlässigen Betrieb der Anlage zu gewährleisten.

Um systembedingte Probleme zu vermeiden, werden die folgenden regelmäßigen Wartungsarbeiten empfohlen:

- Vergewissern Sie sich, dass die Sicherheitsvorrichtungen funktionstüchtig und ordnungsgemäß eingestellt sind.
- Stellen Sie sicher, dass keine Leckagen / Undichten in der Anlage vorhanden sind.

- Überprüfen Sie die Stromaufnahme des Verdichters.
- Vergewissern Sie sich anhand der Wartungsunterlagen, dass die Anlage entsprechend den bisherigen Werten und Betriebsbedingungen läuft.
- Überprüfen Sie, ob sämtliche elektrischen Anschlüsse noch ordnungsgemäß befestigt sind.
- Sorgen Sie dafür, dass der Verflüssigungssatz sauber ist und bleibt, und vergewissern Sie sich, dass die Bauteile des Verflüssigungssatzes, die Rohre und die elektrischen Anschlüsse frei von Rost und Oxidation sind.

Der Verflüssiger muss mindestens einmal im Jahr auf Verschmutzungen überprüft und ggf. gereinigt werden. An der Innenseite des Verflüssigers gelangen Sie über die Wartungsklappe. Bei Microchannel-Wärmeübertragern lagert sich der Schmutz eher auf den Oberflächen als im Verflüssiger. Deshalb sind sie leichter zu reinigen als Lammellenrohrverflüssiger.

- Schalten Sie den Verflüssigungssatz mit dem Hauptschalter aus, bevor Sie die Wartungsklappe öffnen.
- Entfernen Sie oberflächlichen Schmutz, Blätter, Fasern usw. mit einem Staubsauger mit Bürstenaufsatz bzw. mit einem anderen weichen Aufsatz. Alternativ hierzu können Sie auch Druckluft von innen nach außen durch das Register blasen und mit einer weichen Bürste abbürsten. Verwenden Sie keine Drahtbürste. Stoßen Sie nicht mit dem

Rohr oder der Düse des Staubsaugers gegen die Spule und vermeiden Sie Kratzer.

15. Garantie

Zur Geltendmachung eines Garantieanspruchs müssen stets die Typenbezeichnung und Seriennummer des Produkts übermittelt werden.

Unter Umständen erlischt die Produktgarantie in folgenden Fällen:

- Fehlen des Typenschildes.
- Äußere Modifikationen, vor allem durch Bohren, Schweißen, gebrochene Füße und Stoßspuren.
- Öffnung des Verdichters/Rückgabe eines unversiegelten Verdichters.
- Rost, Wasser oder Farbstoff zur Lecksuche im Inneren des Verdichters.
- Verwendung eines von Danfoss nicht zugelassenen Kältemittels oder Schmierstoffes.
- Jegliche Abweichung von den Hinweisen zur Installation, Anwendung oder Wartung.
- Benutzung in mobilen Anwendungen.
- Benutzung in einer explosionsfähigen Atmosphäre.
- Keine Angabe der Modell- oder Seriennummer bei der Geltendmachung des Garantieanspruchs.

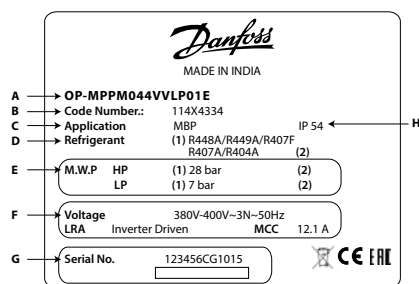
16. Entsorgung



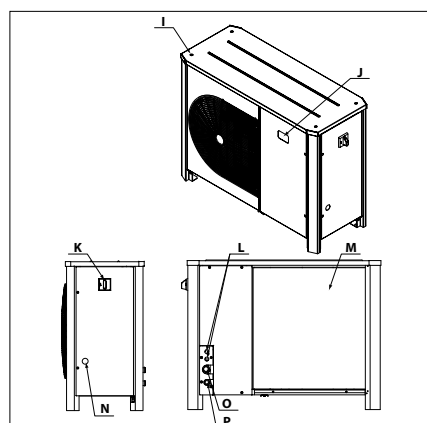
Danfoss empfiehlt die Entsorgung der Verflüssigungssätze und des Öls durch ein entsprechend qualifiziertes Unternehmen am Standort der Anlage.

Optyma™ Plus INVERTER

Les Groupes De Condensation OP-MPLM, OP-MPPM



- A** : Modèle
- B** : N° de code
- C** : Application
- D** : Réfrigérant
- E** : Pression de service
- F** : Tension d'alimentation, intensité absorbée maximum
- G** : N° de série et code-barres
- H** : Protection



- I** : Trous de fixation pour montage superposé
- J** : Affichage du contrôleur électronique
- K** : Interrupteur principal
- L** : Orifices d'entrée de câble
- M** : Échangeur de chaleur à microcanaux
- N** : Voyant de liquide
- O** : Orifice d'aspiration
- P** : Orifice de liquide



⚠ Le groupe de condensation doit être utilisé uniquement dans le ou les buts pour lesquels il a été conçu et en respectant sa plage d'utilisation.

⚠ En toutes circonstances, la directive EN378 (ou une autre réglementation de sécurité locale applicable) doit être respectée.

Le groupe de condensation est livré à une pression d'azote gazeux de 1 bar et ne doit donc pas être raccordé en l'état ; reportez-vous à la section « installation » pour plus de détails.

Le groupe de condensation doit être manipulé avec précaution et en position verticale (inclinaison maximale : 15°)

Le compresseur du groupe de condensation ne peut dans aucun cas être connecté directement au réseau. Il ne peut être connecté qu'à l'aide du variateur d'origine de Danfoss.



⚠ Cette unité contient un variateur de fréquence et des filtres EMI à condensateurs. Débranchez le secteur CA et attendez au moins 4 min pour que toutes les pièces électriques ne soient plus sous tension avant d'ouvrir la porte pour toute opération d'entretien ou de maintenance. Le non-respect du temps d'attente après coupure de l'alimentation électrique peut entraîner la mort ou de graves blessures.



⚠ L'installation et l'entretien des groupes de condensation doivent être effectués uniquement par du personnel qualifié. Respectez ces instructions et les bonnes pratiques d'ingénierie de la réfrigération pour l'installation, la mise en service, la maintenance et l'entretien.

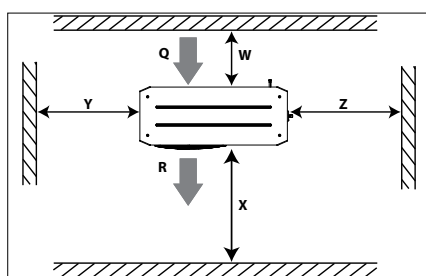


Illustration 1 : Distances de montage minimum

Q : Air entrant

R : Air sortant

Groupe	W [mm]	X [mm]	Y [mm]	Z [mm]
Logement 3	250	760	581	581

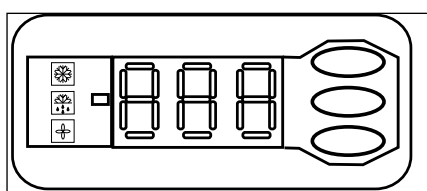


Illustration 2 : Affichage du régulateur électronique



Compresseur en fonctionnement



Résistance de carter activée



Ventilateur en fonctionnement



Valeur de la température pour la pression d'aspiration. Appuyez sur le bouton inférieur pour passer à la valeur de la température pour la pression de condensation.



Illustration 3 : Câblage normal



Illustration 4 : Câblage temporaire

Instructions

1 – Introduction

Ces instructions concernent les groupes de condensation Opty™ Plus OP-MPLM, OP-MP-PM utilisés pour les systèmes de réfrigération. Elles fournissent les informations nécessaires pour la sécurité et l'utilisation appropriée de ces produits.

Le groupe de condensation comprend les éléments suivants :

- Échangeur de chaleur à microcanaux
- Compresseur Scroll à vitesse variable
- Réservoir avec vanne d'arrêt
- Séparateur d'huile
- Vannes à boule
- Voyant de liquide
- Pressostats HP/BP
- Filtre déshydrateur
- Contrôleur électronique
- Variateur de compresseur avec filtre EMC
- Sectionneur principal (Interrupteur principal avec protection contre les surcharges)
- Condensateurs du ventilateur
- Contacteur du compresseur
- Logement robuste et résistant aux intempéries

2 – Manipulation et stockage

- Il est recommandé de ne pas ouvrir l'emballage avant d'avoir positionné le groupe à son emplacement d'installation
- Manipulez le groupe avec soin. L'emballage permet l'utilisation d'un chariot élévateur ou d'un transpalette. Utilisez un équipement de levage approprié et sûr.
- Stockez et transportez le groupe en position verticale.
- Stockez le groupe à une température comprise entre -35 °C et 50 °C.
- N'exposez pas l'emballage à la pluie ou à une atmosphère corrosive.
- Après le déballage, vérifiez que le groupe est complet et qu'il n'est pas endommagé.

3 – Précautions d'installation

⚠ Ne placez jamais le groupe dans une atmosphère inflammable.

⚠ Positionnez le groupe de manière à ne pas bloquer ou gêner le passage, les portes, les fenêtres, etc.

- Assurez-vous de laisser un espace adéquat autour du groupe afin de permettre la circulation de l'air et l'ouverture des portes. Référez-vous à l'illustration 1 pour obtenir les distances minimales à respecter entre le groupe et les murs.
- Évitez d'installer le groupe à un emplacement exposé quotidiennement au rayonnement direct du soleil pendant de longues périodes.
- Évitez d'installer le groupe dans un environnement agressif et poussiéreux.
- Assurez-vous de disposer d'une fondation horizontale (inclinaison inférieure à 3°), suffisamment stable et résistante pour pouvoir supporter l'intégralité du poids du groupe et éliminer les vibrations et les interférences.
- La température ambiante d'utilisation du groupe ne doit pas dépasser 50 °C lors du cycle d'arrêt.
- Assurez-vous que l'alimentation électrique correspond aux caractéristiques du groupe (voir la plaque signalétique).
- Lors de l'installation de groupes pour réfrigérants HFC, utilisez l'équipement spécialement réservé aux réfrigérants HFC n'ayant jamais été utilisé pour des réfrigérants CFC ou HCFC.
- Utilisez des tubes en cuivre pour réfrigération, propres et déshydratés, et un matériau de brasure d'alliage d'argent.
- Utilisez des composants de système propres et déshydratés.

- La tuyauterie d'aspiration raccordée au compresseur doit être flexible dans les 3 dimensions afin d'amortir les vibrations. En outre, la tuyauterie doit être installée de manière à assurer le retour d'huile du compresseur et à éviter tout risque de coups de liquide au compresseur.

4 – Installation

- L'installation dans laquelle le groupe de condensation est installé doit être conforme à la directive EEC relative aux systèmes sous pression n° 97/23/EC (PED). Le groupe de condensation en lui-même ne constitue pas un « groupe » dans cette directive.
- Il est recommandé d'installer le groupe sur des silent blocs ou des amortisseurs de vibrations (non fournis).
- Libérez lentement l'azote sous charge d'attente, par l'orifice schrader.
- Raccordez le groupe au système dès que possible pour éviter toute contamination de l'huile par l'humidité ambiante.
- Évitez toute entrée de matériau dans le système lors de la coupe des tubes. Ne percez jamais d'orifices à des emplacements où les ébarbures ne peuvent être éliminées.
- Brasez très soigneusement, en utilisant les techniques les plus récentes et pointues, et dégazez les tuyauteries au moyen d'un flux d'azote gazeux.
- Connectez les dispositifs de sécurité et de contrôle requis. En cas d'utilisation de l'orifice schrader à cet effet, retirez la valve interne.
- Il est recommandé d'isoler le tube d'aspiration jusqu'à l'entrée du compresseur avec une isolation de 19 mm d'épaisseur.

5 – Détection de fuites

⚠ N'utilisez jamais d'oxygène ou d'air sec pour mettre le circuit sous pression. Vous pourriez causer un incendie ou une explosion.

- N'utilisez pas de traceur pour la détection de fuites.
- Effectuez un test de détection de fuites sur le système complet.
- La pression de test maximum est de 32 bar.
- Si vous détectez une fuite, réparez-la et répétez la détection de fuites.

6 – Déshydratation sous vide

- N'utilisez jamais le compresseur pour faire le vide dans le système.
- Raccordez une pompe à vide aux côtés BP et HP.
- Faites le vide dans le système, à une pression absolue de 500 µm Hg (0,67 mbar).
- N'utilisez pas de mégohmmètre et ne mettez pas le compresseur sous tension lorsqu'il se trouve sous vide, car cela peut entraîner des dommages internes.

7 – Raccordements électriques

- Coupez et isolez l'alimentation électrique secteur.
- Assurez-vous qu'il est impossible de mettre l'alimentation sous tension lors de l'installation.
- Tous les composants électriques doivent être sélectionnés conformément aux normes locales et aux exigences du groupe.
- Référez-vous au schéma de raccordement électrique pour plus de détails.
- Assurez-vous que l'alimentation électrique correspond aux caractéristiques du groupe et qu'elle est stable (tension nominale $\pm 10\%$ et fréquence nominale $\pm 2,5\text{ Hz}$)
- Dimensionnez les câbles de l'alimentation conformément aux données du groupe relatives à la tension et au courant.
- Protégez l'alimentation et assurez-vous de sa bonne mise à la terre.
- Le courant de fuite à la terre dépasse 3,5 mA. Le courant continu peut alimenter le conducteur de protection. Lorsqu'un Dispositif Dif-

férentiel à courant Résiduel (DDR) est utilisé comme protection en cas de contact direct ou indirect, seul un DDR de type B est autorisé sur le côté alimentation de ce produit.

- Assurez-vous que l'alimentation est conforme aux normes locales et aux exigences légales.
- Pour les systèmes d'alimentation électrique IT, ouvrez le sélecteur RFI en retirant la vis RFI du côté gauche du variateur de fréquence (voir guide rapide MG18Mxxx § 1.2.3).
- Le groupe est équipé d'un régulateur électronique. Référez-vous au manuel RS8GDxxx pour plus de détails.
- Le groupe est équipé d'un sectionneur principal avec protection contre les surcharges. La protection contre les surcharges est pré-réglée en usine. Il est toutefois recommandé de vérifier la valeur avant de mettre le groupe en marche. La valeur de la protection contre les surcharges peut être trouvée à l'aide du schéma de raccordement situé sur la porte avant du groupe.
- Le groupe est équipé de pressostats HP/BP, qui coupent directement l'alimentation du compresseur en cas d'activation. Les paramètres relatifs aux coupures découplant d'une pression trop élevée ou trop basse sont pré-réglés dans le régulateur et adaptés au compresseur installé dans le groupe.
- Le groupe est équipé d'un variateur pour réguler la vitesse du compresseur. Il est obligatoire de connecter le compresseur à l'aide de son variateur comme illustré sur le SR du présent mode d'emploi.

L'ordre de phase correct du sens de rotation du compresseur doit être respecté.

- L'ordre de phase correct du compresseur est assuré par le variateur de fréquence et le câblage en usine.
- Les connexions entre le variateur de fréquence et les bornes du compresseur sont présentées dans le schéma de raccordement.

8 – Charge du système

- Ne démarrez jamais le compresseur lorsqu'il se trouve sous vide. Maintenez le compresseur hors tension.
- Utilisez uniquement un réfrigérant pour lequel le groupe est conçu.
- Transférez le réfrigérant en phase liquide dans le condenseur ou la bouteille de liquide. Assurez une charge lente du système à 4 – 5 bars.
- La charge restante est effectuée une fois que l'installation a atteint des conditions de fonctionnement nominales stables.
- La charge doit se rapprocher le plus possible de la charge nominale du système afin d'éviter un fonctionnement à trop basse pression ainsi qu'une surchauffe excessive. Pour VLZ028-044, la charge limite de réfrigérant est de 3,6 kg. Au-dessus de ce seuil, protégez le compresseur contre tout retour de liquide à l'aide d'un cycle pump-down supérieur ou égal à 2,3 bar(g) pour le R448A/R449A, 2,3 bar(g) pour le R407F, 2,3 bar(g) pour le R407A et 2,3 bar(g) pour le R404A ou une bouteille anti coup de liquide.
- Ne laissez jamais le cylindre de remplissage connecté au circuit.

9 – Réglage du contrôleur électronique

- Le groupe est équipé d'un contrôleur électronique programmé en usine contenant des paramètres destinés à être utilisés avec le groupe. Référez-vous au manuel RS8GDXXX pour plus de détails.
- Par défaut, l'affichage du contrôleur électronique affiche la valeur de la température pour la pression d'aspiration, exprimée en degrés Celsius. Pour afficher la valeur de la température pour la pression de condensation, appuyez sur le bouton inférieur (illustration 2).

Instructions

Le régulateur électronique est pré-réglé en usine pour un fonctionnement avec le réfrigérant R449A. Si un réfrigérant différent est utilisé, le réglage du réfrigérant doit être modifié en conséquence. Le paramètre r12 doit être, au préalable, réglé sur 0 (interrupteur principale du logiciel = off).

- Appuyez sur le bouton supérieur pendant quelques secondes. Le code du premier paramètre s'affiche.
- Utilisez les boutons supérieur et inférieur pour trouver le paramètre o30.
- Appuyez sur le bouton du milieu jusqu'à ce que la valeur de ce paramètre s'affiche.
- Appuyez sur le bouton inférieur ou supérieur pour sélectionner la nouvelle valeur : 17 = R507A, 19 = R404A, 21 = R407A, 37 = R407F, 40 = R448A, 41 = R449A.
- Appuyez sur le bouton du milieu pour confirmer la valeur sélectionnée.
- Retournez au paramètre r12 et mettez-le sur 1.
- Si nécessaire, modifiez également le paramètre r23 pour indiquer la pression d'aspiration souhaitée (°C/°F).
- Modifiez le paramètre c33 par la valeur d'évacuation selon vos besoins.

10 – Vérification avant mise en service

⚠ Utilisez des dispositifs tels que des pressostats de sécurité et des soupapes de sécurité mécaniques, conformément aux normes de sécurité et aux réglementations générales et locales applicables. Veillez au bon fonctionnement et au réglage correct de ces dispositifs.

⚠ Vérifiez que les réglages des pressostats haute pression et des soupapes de sécurité ne dépassent pas la pression de service maximale de chaque composant du système.

- Vérifiez que tous les raccordements électriques sont bien serrés et respectent les réglementations locales.
- La résistance de carter doit être mise sous tension au moins 12 heures avant le démarrage initial et après une mise à l'arrêt prolongée pour retirer le réfrigérant en phase liquide du compresseur. Retirez la prise DI1 du contrôleur afin d'éviter le démarrage du compresseur et allumez l'interrupteur principal pendant cette période.
- Le groupe est équipé d'un sectionneur principal avec protection contre les surcharges. La protection contre les surcharges est pré-réglée en usine. Il est toutefois recommandé de vérifier la valeur avant de mettre le groupe en marche. La valeur de la protection contre les surcharges peut être trouvée à l'aide du schéma de raccordement situé sur la porte avant du groupe.

11 – Démarrage

- Ne démarrez jamais le groupe si le réfrigérant n'est pas chargé.
- Toutes les vannes de service doivent être ouvertes.
- Assurez-vous que l'alimentation est compatible avec le groupe.
- Assurez-vous que la résistance de carter fonctionne.
- Assurez-vous que le ventilateur tourne librement.
- Équilibrez les pressions HP/BP.
- Alimentez le groupe. Celui-ci doit démarrer rapidement. S'il ne démarre pas, vérifiez la conformité des câblages et de la tension aux bornes.
- La rotation inverse du compresseur triphasé est détectée par le contrôleur quand les phénomènes suivants sont constatés : la pression de condensation n'augmente pas, le compresseur génère un niveau de bruit anormalement élevé et sa consommation électrique est anormalement basse. Dans ce cas, arrêtez immédiatement le groupe et raccordez les phases aux bornes appropriées.
- Si le sens de rotation est correct, l'indicateur de pression basse du contrôleur (ou manomètre de pression basse) doit indiquer une baisse de

la pression et l'indicateur de pression haute (ou manomètre de pression haute) doit indiquer une augmentation de la pression.

12 – Vérifications en cours de fonctionnement

- Vérifier le sens de rotation du ventilateur. L'air doit circuler depuis le condenseur vers le ventilateur.
 - Vérifiez l'appel de courant et la tension.
 - Vérifiez la surchauffe de l'aspiration pour réduire le risque de coups de liquide.
 - La surchauffe optimale de l'aspiration du compresseur se situe à environ 6 K. La surchauffe maximale autorisée est de 30 K.
- Contrôlez le niveau d'huile au démarrage, puis en cours de fonctionnement pour vous assurer qu'il reste visible. Un excès de mousse dans le voyant d'huile indique que du réfrigérant se trouve dans le carter.
- Surveillez le voyant d'huile pendant 1 heure après l'équilibre du système afin de garantir un retour d'huile correct vers le compresseur. Ce contrôle de l'huile doit être réalisé sur toute la plage de vitesse afin de garantir :
 - un bon retour d'huile à faible vitesse avec une vitesse minimum du gaz.
 - une bonne gestion de l'huile à haute vitesse avec un retour maximal de l'huile.
 - Si un voyant de niveau d'huile est présent, vérifiez le niveau d'huile au démarrage et pendant le fonctionnement afin vous assurer que le niveau d'huile reste bien visible.
 - Respectez les limites de fonctionnement.
 - Vérifiez l'absence de vibrations anormales au niveau de tous les tubes. En cas de mouvements dépassant 1,5 mm, vous devez prendre des mesures correctives telles que l'installation de supports de tubes.
 - Si nécessaire, vous pouvez ajouter du réfrigérant supplémentaire en phase liquide, côté basse pression, aussi loin que possible du compresseur. Le compresseur doit fonctionner pendant cette opération.
 - Ne surchargez pas le système.
 - Ne libérez jamais de réfrigérant dans l'atmosphère.
 - Avant de quitter le site d'installation, effectuez une inspection générale de l'installation en termes de propreté, de niveau sonore et de détection des fuites.
 - Notez le type et la quantité de charge de réfrigérant, ainsi que les conditions de fonctionnement, comme référence pour les inspections ultérieures.

Impossibilité pour le compresseur de faire augmenter la pression : Vérifiez toutes les vannes de bypass du système, afin de vous assurer qu'aucune d'entre elles n'a été ouverte. Vérifiez aussi que toutes les électrovannes sont à leur place.

- Bruit de fonctionnement anormal : Assurez-vous qu'aucun liquide ne retourne vers le compresseur, en mesurant la surchauffe du gaz de retour et la température du carter du compresseur. La température du carter doit être supérieure d'au moins 6 K à la température d'aspiration saturée dans des conditions de fonctionnement stabilisées.
- Le pressostat haute pression se déclenche : Vérifiez le fonctionnement du condenseur (propreté, fonctionnement du ventilateur, débit d'eau et vanne de régulation de l'eau, filtre à eau, etc.). Si aucune anomalie n'est détectée, le problème peut être dû à une surcharge de réfrigérant ou à la présence d'éléments non condensables (p. ex. air, humidité) dans le circuit.
- Le pressostat basse pression se déclenche : Vérifiez le fonctionnement de l'évaporateur (propreté bobine, fonctionnement du ventilateur, débit d'eau, filtre à eau, etc.), le débit du réfrigérant liquide et les chutes de pression (électrovanne, filtre déshydrateur, détendeur, etc.), la charge de réfrigérant.

- Charge de réfrigérant basse : La charge correcte de réfrigérant est indiquée par le voyant liquide, la relation pression température au condenseur, la surchauffe et le sous-refroidissement, etc. Si une charge supplémentaire s'avère nécessaire, reportez-vous à la section 8.

13 – Fonctionnement sans contrôleur

En cas de défaillance du contrôleur, le groupe de condensation peut continuer à fonctionner si le câblage normal du contrôleur (SR1) est modifié en câblage temporaire (SR2) selon la procédure ci-dessous.

⚠ Cette modification ne peut être effectuée que par un électricien autorisé. Cette opération doit être effectuée dans le respect de la réglementation locale en vigueur.

⚠ Déconnectez l'alimentation du groupe de condensation (coupez le sectionneur principal).

- Le contact du thermostat d'ambiance doit pouvoir basculer en mode 250 Vca.
- Retirez le fil 22 (entrée de sécurité DI3) et le fil 6 (alimentation du ventilateur) et raccordez-les. Un pressostat de ventilateur (par ex. KP5) ou un contrôleur de vitesse du ventilateur (par ex. XGE) peuvent être connectés en série sur le fil 6.
- Retirez le fil 10 (démarrage du variateur) et le fil 24 (thermostat d'ambiance) et raccordez-les.
- Retirez le fil 11 (démarrage du variateur) et le fil 25 (thermostat d'ambiance) et raccordez-les.
- Retirez les fils 53 et 55 des bornes du variateur et connectez un potentiomètre 10kOhm comme ci-dessous :
 - Fil 1 sur la borne de variateur 55
 - Fil 2 sur la borne de variateur 53
 - Fil 3 sur la borne de variateur 50
- Tournez le bouton du potentiomètre pour le mettre en position centrale, ce qui correspond à peu près à une vitesse du compresseur de 50 tr/s.
- Retirez le fil 14 (résistance de carter) et raccordez-le à la borne 22 du contacteur du compresseur.
- Retirez le fil 12 (alimentation de la résistance de carter), allongez ce fil à l'aide d'un raccord de borne isolé de 10 mm² pour 250 Vca et d'un fil marron, puis connectez-le à la borne 21 du contacteur du compresseur.
- Retirez le grand bornier qui se trouve sur les bornes 10 à 19 du contrôleur.
- Connectez le groupe de condensation à l'alimentation (allumez l'interrupteur matériel principal).
- Réglez le potentiomètre pour obtenir la vitesse souhaitée.
- Remplacez le contrôleur dès que possible.

14 – Maintenance

⚠ Éteignez toujours l'unité depuis l'interrupteur principal et attendez 4 minutes (durée de décharge des condensateurs) avant d'ouvrir la/les porte(s) du ventilateur afin d'éviter un choc électrique.

Même quand l'interrupteur principal est éteint, la tension est présente sur les bornes d'entrée.

Ceci est à prendre en compte pour la maintenance et l'entretien.

⚠ La pression interne et la température en surface sont dangereuses et peuvent causer des blessures irréversibles. Les opérateurs de maintenance et les installateurs doivent posséder les compétences et les outils appropriés. La température de la tuyauterie peut dépasser 100 °C et causer des brûlures graves.

⚠ Veillez à effectuer les inspections de service périodiques, tant pour assurer la fiabilité du système que pour respecter les réglementations locales.

Instructions

Pour éviter tout problème lié au système, la maintenance périodique suivante est recommandée :

- Vérifiez que les dispositifs de sécurité fonctionnent et sont bien réglés.
- Vérifiez que le système ne présente aucune fuite.
- Vérifiez l'appel de courant du compresseur.
- Confirmez que le système fonctionne conformément aux archives de maintenance antérieure et aux conditions ambiantes.
- Vérifiez que tous les raccordements électriques restent bien serrés.
- Préservez la propreté du groupe et vérifiez l'absence de rouille et d'oxydation sur les composants du groupe, les tubes et les raccordements électriques.

Le condenseur doit faire l'objet d'au moins une vérification de l'encrassement par an et doit être nettoyé si cela s'avère nécessaire. L'accès à la face interne du condenseur se fait par la porte du ventilateur. La poussière a tendance à se déposer à la surface et non à l'intérieur des échangeurs à microcanaux, ce qui rend ces derniers plus faciles à nettoyer que les échangeurs à tubes ailettes.

- Éteignez le groupe à l'aide de l'interrupteur principal avant d'ouvrir la porte du ventilateur.
- Retirez la poussière, les feuilles, les fibres, etc. qui se trouvent à surface à l'aide d'un aspirateur équipé d'une brosse ou de tout autre embout souple. Vous pouvez également souffler de l'air comprimé depuis l'intérieur de l'échangeur et évacuer la saleté à l'aide d'une brosse à poils souples. N'utilisez pas de brosse métallique. Veillez à ne pas endommager ou rayer l'échangeur avec le tube de l'aspirateur ou l'embout du compresseur à air.

Si le système de réfrigération a été ouvert, il doit être nettoyé à l'azote sec afin d'éliminer toute trace d'humidité. En outre, un nouveau filtre déshydrateur doit être installé. S'il s'avère nécessaire d'évacuer le réfrigérant, il ne doit en aucun cas être libéré dans l'environnement.

15 - Garantie

En cas de réclamation relative au produit, signalez toujours le numéro de modèle et le numéro de série.

La garantie du produit peut être nulle dans les cas suivants :

- Absence de plaque signalétique.
- Modifications externes, en particulier perçage, soudage, impacts et pieds endommagés.
- Compresseur ouvert ou retourné non scellé.
- Présence de rouille, d'eau ou de traceur de détection de fuites à l'intérieur du compresseur.
- Utilisation d'un réfrigérant ou d'un lubrifiant non approuvé par Danfoss.
- Tout non-respect des instructions recommandées relatives à l'installation, l'utilisation ou la maintenance.
- Utilisation mobile.
- Utilisation sous atmosphère explosive.
- Numéro de modèle ou de série non fourni avec la demande en garantie.

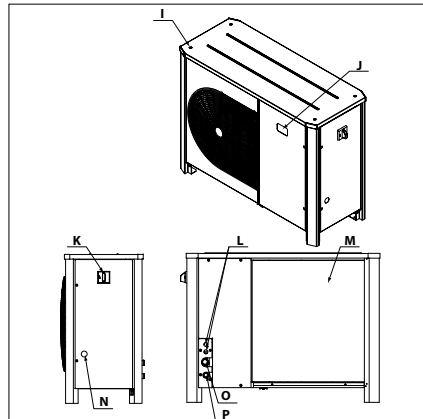
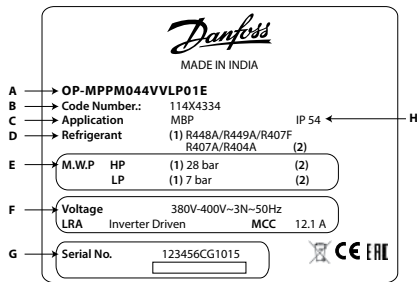
16 - Mise au rebut



Danfoss recommande que les groupes de condensation et leur huile soient recyclés par une société appropriée, sur le site de celle-ci.

Optyma™ Plus INVERTER

Unidades Condensadoras OP-MPLM, OP-MPPM



- I:** Orificios de montaje para montaje apilado
- J:** Pantalla del controlador electrónico
- K:** Interruptor principal
- L:** Puertos de entrada de cable
- M:** Intercambiador de calor de microcanales
- N:** Visor de líquido
- O:** Puerto de aspiración
- P:** Puerto de líquido

- A:** Modelo
- B:** Código
- C:** Aplicación
- D:** Refrigerante
- E:** Máxima presión de trabajo
- F:** Tensión de alimentación y consumo máximo de corriente
- G:** Número de serie y código de barras
- H:** Protección



⚠ El uso de esta unidad condensadora sólo debe llevarse a cabo con los fines para los que ha sido diseñada y dentro de su campo de aplicación.

⚠ En cualquier circunstancia, han de cumplirse los requisitos establecidos por la norma EN 378 (o cualquier otra legislación local vigente en materia de seguridad).

Esta unidad condensadora se suministra con gas nitrógeno a presión (1 bar) y, por lo tanto, no puede conectarse tal cual; consulte la sección "Instalación" si desea obtener más información.

Manipule esta unidad condensadora con precaución, manteniéndola en posición vertical (desviación máxima respecto a la vertical: 15°).

El compresor de la unidad condensadora no se puede conectar directamente a la red eléctrica en ningún caso; la conexión debe tener lugar a través de un variador de velocidad Danfoss original.



⚠ Esta unidad incorpora un convertidor de frecuencia y un filtro de interferencias electromagnéticas (EMI) con condensadores. Antes de abrir la puerta para realizar cualquier tarea de mantenimiento o reparación, desconecte la alimentación de CA y espere al menos cuatro minutos para que se desactiven todas las piezas eléctricas. Si no se espera el tiempo indicado después de desconectar la alimentación, existe peligro de muerte o de lesiones graves.



⚠ La instalación y el mantenimiento de una unidad condensadora deben ser llevados a cabo exclusivamente por personal cualificado. Siga estas instrucciones y las prácticas recomendadas en materia de ingeniería de refrigeración durante las actividades de instalación, puesta en servicio, mantenimiento y servicio técnico.

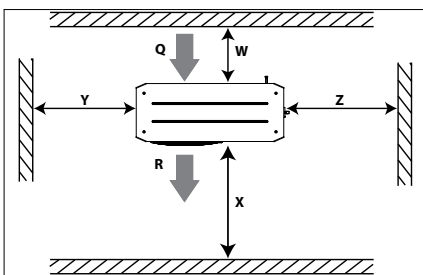


Ilustración 1: Distancias mínimas de montaje

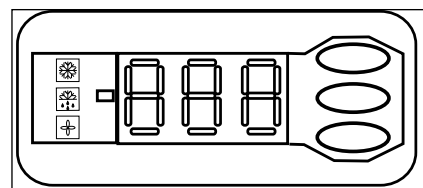


Ilustración 3: Pantalla del controlador electrónico



Compresor en funcionamiento



Resistencia del cárter activada



Ventilador en funcionamiento



Temperatura a la presión de aspiración. Pulse el botón inferior para consultar la temperatura a la presión de condensación.

Q: Entrada de aire **R:** Salida de aire

Unidad	W [mm]	X [mm]	Y [mm]	Z [mm]
Carcasa 3	250	760	581	581



Ilustración 3: Cableado normal



Ilustración 4: Cableado temporal

Instructions

1 – Introducción

Estas instrucciones son válidas para las unidades condensadoras Optyma™ Plus OP-MPLM, OP-MPPM utilizadas como parte de un sistema de refrigeración. En ellas encontrará información necesaria acerca de la seguridad y el uso correcto de este producto.

La unidad condensadora incluye los siguientes componentes:

- Intercambiador de calor de microcanales
- Compresor scroll de velocidad variable
- Recipiente con válvula de cierre
- Separador de aceite
- Válvulas de bola
- Visor de líquido
- Presostatos de alta y baja presión
- Filtro secador
- Controlador electrónico
- Variador del compresor con filtro de interferencias electromagnéticas (EMC)
- Disyuntor principal (interruptor principal con protección contra sobrecarga)
- Condensadores del ventilador
- Contactor del compresor
- Carcasa robusta con protección a la intemperie

2 – Manipulación y almacenamiento

- No se recomienda abrir el embalaje hasta que la unidad se encuentre en el lugar destinado a su instalación.
- Manipule la unidad con cuidado. El embalaje se puede transportar por medio de una carretilla elevadora o un transpalet. Emplee un equipo de elevación seguro y adecuado.
- Almacene y transporte la unidad en posición vertical.
- Almacene la unidad a temperaturas comprendidas entre -35 °C y 50 °C.
- No exponga el embalaje a la lluvia o a atmósferas de carácter corrosivo.
- Una vez desembalada la unidad, compruebe que se encuentre completa y que no haya sufrido daños.

3 – Precauciones relativas a la instalación

- ⚠ La unidad no debe permanecer en una atmósfera de carácter inflamable.
- ⚠ Coloque la unidad de tal modo que no obstruya ni obstaculice áreas de paso, puertas, ventanas u otros elementos similares.

- La unidad debe contar con espacio suficiente a su alrededor para la circulación de aire y la apertura de las compuertas. Consulte la ilustración 1 si desea conocer las distancias mínimas que deben existir entre los laterales de la unidad y las paredes.
- No instale la unidad en lugares en los que pueda sufrir la exposición diaria a la luz solar directa durante periodos de tiempo prolongados.
- No instale la unidad en lugares que presenten ambientes agresivos o con polvo.
- Garantice la existencia de un cimiento con superficie horizontal (y pendiente inferior a 3°), lo suficientemente robusto y estable como para soportar el peso de la unidad completa y amortiguar las vibraciones e interferencias.
- La temperatura ambiente de la unidad no debe superar los 50 °C durante el ciclo de apagado.
- Compruebe que la fuente de alimentación satisfaga los requisitos de la unidad (consulte la placa de características).
- Durante la instalación de unidades aptas para el uso de refrigerantes HFC, emplee un equipo diseñado específicamente para refrigerantes HFC que no haya mantenido contacto con refrigerantes CFC o HCFC.
- Use material de soldadura limpio y deshidratado para aleaciones de plata y tubos de cobre para refrigeración.

- Use componentes de sistema limpios y deshidratados.
- Los conductos de aspiración conectados al compresor deben ser flexibles en las 3 dimensiones para amortiguar las vibraciones. Asimismo, la conexión de los conductos debe llevarse a cabo de tal modo que se garantice el retorno de aceite al compresor y se elimine el riesgo de golpes de líquido en dicho componente.

4 – Instalación

- La instalación de la que forme parte la unidad condensadora debe satisfacer los requisitos establecidos por la Directiva 97/23/CE sobre equipos a presión (PED) de la CE. En el ámbito de dicha directiva, la unidad condensadora no es, en sí, una "unidad".
- Se recomienda instalar la unidad sobre arandelas de goma o amortiguadores de vibraciones (no suministrados).
- Libere paulatinamente la carga de nitrógeno a través del puerto Schraeder.
- Conecte la unidad al sistema lo antes posible para evitar que el aceite sufra contaminación como resultado de la humedad ambiental.
- Evite que penetren materiales extraños en el sistema durante el corte de los tubos. No practique orificios en lugares en los que no sea posible eliminar las rebabas.
- Lleve a cabo las soldaduras con cuidado, empleando técnicas modernas; purgue los conductos haciendo circular gas nitrógeno.
- Conecte los dispositivos de seguridad y control necesarios. Retire la válvula interna cuando use el puerto Schraeder a este efecto.
- Se recomienda aislar el conducto de aspiración hasta la entrada del compresor empleando aislante de 19 mm de grosor.

5 – Detección de fugas

⚠ No apresure el circuito con oxígeno o aire seco. Ello podría originar un incendio o una explosión.

- No use tintes para la detección de fugas.
- Lleve a cabo una prueba de detección de fugas en todo el sistema.
- La presión máxima de prueba es de 32 bar.
- Si detecta una fuga, repárela y lleve a cabo una nueva prueba de detección de fugas.

6 – Deshidratación por vacío

- No use el compresor para vaciar el sistema.
- Conecte una bomba de vacío a los lados LP y HP.
- Vacíe el sistema a una presión absoluta de 500 µm Hg (0,67 mbar).
- No use un ohmímetro ni conecte la alimentación al compresor mientras este se encuentre sometido a vacío; podría causar daños internos.

7 – Conexiones eléctricas

- Apague el sistema y aisle la fuente de alimentación principal.
- Asegúrese de que no sea posible encender la fuente de alimentación durante la instalación.
- La elección de los componentes eléctricos debe llevarse a cabo de acuerdo con las normas locales y los requisitos de la unidad.
- Consulte el esquema eléctrico si desea obtener información detallada acerca de las conexiones eléctricas.
- Asegúrese de que la fuente de alimentación responda a las características de la unidad y sea estable (tensión nominal $\pm 10\%$ y frecuencia nominal $\pm 2,5$ Hz).
- Las dimensiones de los cables de la fuente de alimentación deben satisfacer los requisitos de la unidad en cuanto a tensión y corriente.
- Proteja la fuente de alimentación y garantice su correcta conexión a tierra.

- La corriente de fuga a tierra es superior a 3,5 mA. El conductor de protección puede recibir corriente continua (DC). Si se usa un dispositivo de corriente residual (RCD) como protección frente a posibles contactos directos o indirectos, únicamente deberá usarse un RCD de tipo B en el lado de alimentación del producto.
- La fuente de alimentación debe cumplir las normas locales y los requisitos legales establecidos.
- Para sistemas de alimentación de TI, abra el interruptor de interferencias de radiofrecuencia (RFI); para ello, quite el tornillo RFI situado en el lado izquierdo del convertidor de frecuencia (consulte la sección 1.2.3 de la guía rápida MG18Mxxx).
- La unidad está equipada con un controlador electrónico. Consulte el manual RS8GDxxx si desea obtener más información.
- La unidad está equipada con un interruptor principal con protección contra sobrecarga. La función de protección contra sobrecarga posee una configuración predeterminada de fábrica; no obstante, se recomienda comprobar el valor asignado antes de poner en marcha la unidad. El valor asignado a la función de protección contra sobrecarga se encuentra en el esquema eléctrico situado en la compuerta delantera de la unidad.
- La unidad está equipada con presostatos de alta y baja presión que interrumpen directamente el suministro eléctrico del compresor al activarse. Las presiones de interrupción alta y baja se establecen en el controlador de acuerdo con el compresor instalado en la unidad.
- El compresor de la unidad incorpora un variador para regular la velocidad. La conexión del compresor debe realizarse a través del variador, tal como se muestra en el esquema eléctrico incluido en estas instrucciones.

Debe respetarse la secuencia de fases correcta para garantizar que el compresor gire en el sentido apropiado.

- La secuencia correcta de fases de alimentación del compresor se garantiza mediante el convertidor de frecuencia y el cableado de fábrica.
- En el esquema eléctrico se muestran las conexiones entre el convertidor de frecuencia y los terminales del compresor.

8 – Carga del sistema

- No ponga en marcha el compresor en vacío. Mantenga el compresor apagado.
- Use sólo el refrigerante para el que ha sido diseñada la unidad.
- Cargue a través del condensador o el recipiente con refrigerante líquido. Asegúrese de realizar la carga paulatinamente hasta alcanzar una presión de 4-5 bar.
- El resto de la carga deberá llevarse a cabo una vez que la instalación haya alcanzado sus niveles nominales y los mantenga con estabilidad durante el funcionamiento.
- La carga debe ser lo más próxima posible a la carga nominal del sistema para evitar el funcionamiento a baja presión y un recalentamiento excesivo. La carga máxima de refrigerante del compresor VLZ 028-044 es de 3,6 kg. Por encima de dicho límite, el compresor debe protegerse contra migración de líquido mediante parada por vacío nunca inferior a 2,3 bar(g) para R448A/R449A, 2,3 bar(g) para R-407F, 2,3 bar(g) para R-407A y 2,3 bar(g) para R-404A; alternativamente, puede instalarse un acumulador en la línea de aspiración frente retornos de líquido.
- No deje la botella de carga conectada al circuito.

Instructions

9 – Configuración del controlador electrónico

- La unidad está equipada con un controlador electrónico programado de fábrica con parámetros aptos para el uso con la unidad real. Consulte el Manual RS8GDXXX si desea obtener más información.
- De forma predeterminada, el controlador electrónico muestra la temperatura a la presión de aspiración en °C. Pulse el botón inferior para que se muestre la temperatura a la presión de condensación (ilustración 2).

La configuración predeterminada de fábrica del controlador electrónico es apta para el funcionamiento con el refrigerante R-449A. Cambie la configuración del refrigerante si el refrigerante en uso no coincide con el indicado. El parámetro r12 debe establecerse antes a 0 (interruptor principal software: apagado).

- Mantenga pulsado el botón superior durante un par de segundos. Aparecerá el primer código de parámetro.
- Pulse los botones superior e inferior para buscar el código de parámetro o30.
- Mantenga pulsado el botón central hasta que se muestre el valor de dicho parámetro.
- Pulse los botones superior o inferior para seleccionar el nuevo valor: 17 = R-507A; 19 = R-404A; 21 = R-407A; 37 = R-407F; 40 = R-448A; 41 = R-449A.
- Pulse el botón central para confirmar el valor seleccionado.
- Regrese al parámetro r12 y cambie su valor a "1".
- Si es necesario, cambie también el parámetro r23; para ello seleccione el valor deseado de temperatura de aspiración (expresado en °C/°F).
- Ajuste el parámetro c33 (valor para la parada por vacío) en función de sus necesidades.

10 – Verificación previa a la puesta en servicio

⚠ Emplee dispositivos de seguridad (como el presostato de seguridad o la válvula mecánica de alivio) que satisfagan los requisitos de las normas de ámbito general y local vigentes, así como las normas de seguridad aplicables. Asegúrese de que los dispositivos funcionen y su ajuste sea correcto.

⚠ Compruebe que los niveles de los presostatos de alta presión y las válvulas de alivio no superen la presión de servicio máxima de los componentes del sistema.

- Compruebe que todas las conexiones eléctricas se encuentren bien fijadas y cumplan la legislación local.
- La resistencia de cárter debe permanecer energizada, al menos durante 12 horas antes de la puesta en marcha inicial o de cualquier puesta en marcha que tenga lugar tras un período prolongado de inactividad, con el fin de eliminar el refrigerante líquido del compresor. Desconecte el conector DI1 del controlador para impedir que el compresor arranque y mantenga encendido el interruptor principal durante este período.
- La unidad está equipada con un interruptor principal con protección contra sobrecarga. La función de protección contra sobrecarga posee una configuración predeterminada de fábrica; no obstante, se recomienda comprobar el valor asignado antes de poner en marcha la unidad. El valor asignado a la función de protección contra sobrecarga se encuentra en el esquema eléctrico situado en la compuerta delantera de la unidad.

11 – Puesta en marcha

- No ponga en marcha la unidad sin haber cargado antes el refrigerante.
- Todas las válvulas de servicio deben estar en posición de apertura.

- Compruebe que la fuente de alimentación satisfaga las características de la unidad.
- Compruebe que la resistencia del cárter funcione.
- Compruebe que el ventilador pueda girar libremente.
- Equilibre las presiones de los lados HP y LP.
- Ponga en marcha la unidad. Debe arrancar de inmediato. Si el compresor no arranca, compruebe el estado de los cables y la tensión en los terminales.
- El controlador detectará la rotación en sentido inverso del compresor trifásico, una situación que se caracteriza por los siguientes fenómenos: el compresor no acumula presión, el sistema genera un nivel de ruido anormalmente elevado y el consumo energético resulta anormalmente reducido. Si se enfrenta a una situación de este tipo, apague la unidad inmediatamente y conecte las fases a los terminales que correspondan.
- Si la dirección de rotación es correcta, el indicador de baja presión del controlador (o el manómetro de baja presión) mostrará un nivel de presión en descenso y el indicador de alta presión (o el manómetro de alta presión) mostrará un nivel de presión en aumento.

12 – Comprobaciones con la unidad en funcionamiento

- Compruebe la dirección de rotación del ventilador. El aire debe fluir desde el condensador hacia el ventilador.
- Compruebe el consumo de corriente y la tensión.
- Compruebe el recalentamiento en el lado de aspiración para reducir el riesgo de generación de golpes de líquido.
- El recalentamiento óptimo en el lado de aspiración del compresor es de, aproximadamente, 6 K; el recalentamiento máximo admisible es de 30 K.

Observe el nivel de aceite en el momento del arranque y durante el funcionamiento para asegurarse de que sea visible en todo momento. Si observa un exceso de espuma en el visor de aceite, significa que hay refrigerante en el cárter.

- Controle el nivel de aceite en el visor de líquido durante 1 hora después de alcanzar el equilibrio del sistema para garantizar el retorno de aceite adecuado al compresor. La comprobación del aceite debe efectuarse en todo el rango de velocidad con el fin de garantizar:
 - Un retorno de aceite óptimo a baja velocidad a una velocidad mínima de gas.
 - Una buena gestión del aceite a alta velocidad con un arrastre de aceite máximo.
- Respete los límites de funcionamiento.
- Compruebe si los tubos sufren alguna vibración anormal. Los movimientos superiores a 1,5 mm exigirán la implantación de medidas correctoras (como la instalación de abrazaderas).
- Si es necesario, es posible agregar refrigerante líquido a través del lado de baja presión (tan lejos del compresor como sea posible). El compresor debe permanecer en funcionamiento durante este proceso.
- No sobrecargue el sistema.
- No libere refrigerante a la atmósfera.
- Antes de abandonar el lugar de instalación, lleve a cabo una inspección general de la misma en cuanto a limpieza, ruido y detección de fugas.
- Anote el tipo y la cantidad de refrigerante cargado, así como las condiciones de funcionamiento, como referencia para la ejecución de futuras inspecciones.

El compresor no genera presión: revise todas las válvulas de bypass del sistema para garantizar que ninguna de ellas esté abierta. Asimismo, verifique que todas las válvulas solenoides estén en la posición correcta.

- Ruidos anómalos durante el funcionamiento: asegúrese de que no se haya producido retorno de líquido hacia el compresor; para ello, mida el recalentamiento del gas de retorno y la temperatura del cárter del compresor. El cárter debe estar, al menos, 6 K por encima de la temperatura de aspiración saturada en condiciones de funcionamiento estacionarias.
- El interruptor de alta presión se dispara: compruebe el condensador (limpieza del condensador, funcionamiento del ventilador, caudal de agua, válvula de presión de agua, filtro de agua, etc.). Si no existen anomalías, el problema podría deberse a una carga excesiva de refrigerante o a la presencia de alguna sustancia no condensable (por ejemplo, aire o humedad) en el circuito.
- El interruptor de baja presión se dispara: compruebe el evaporador (limpieza del serpentín, funcionamiento del ventilador, caudal de agua, filtro de agua, etc.), así como los caudales y las caídas de presión de refrigerante líquido (válvula solenoide, filtro secador, válvula de expansión, etc.) y la carga de refrigerante.
- Baja carga de refrigerante: la existencia de una carga de refrigerante correcta se puede comprobar mediante el visor de líquido, la diferencia de temperatura del condensador en comparación con las tablas de presión-temperatura del refrigerante, el recalentamiento y el subenfriamiento, etc. (si fuese necesario aumentar la carga de refrigerante, consulte la sección 8).

13 – Funcionamiento de emergencia sin controlador

Si el controlador se avería, aún será posible poner en marcha la unidad condensadora modificando el cableado estándar del controlador (esquema eléctrico 1) y usando el cableado temporal (esquema eléctrico 2) descrito a continuación.

⚠ Esta modificación sólo debe ser llevada a cabo por un electricista autorizado. Debe respetarse la legislación nacional a este respecto.

⚠ Desconecte la unidad condensadora de la fuente de alimentación (apague el interruptor principal del equipo).

- Debe ser posible establecer contacto con el termostato ambiente para suministrar 250 VAC.
- Desconecte el cable 22 (entrada de seguridad DI3) y el cable 6 (alimentación del ventilador) y únalos. Puede conectarse un presostato de ventilador (KP5, por ejemplo) o un controlador de velocidad de ventilador (XGE, por ejemplo) en serie con el cable 6.
- Desconecte el cable 10 (arranque del variador) y el cable 24 (termostato ambiente) y únalos.
- Desconecte el cable 11 (arranque del variador) y el cable 25 (termostato ambiente) y únalos.
- Desconecte los cables 53 y 55 de los terminales del variador y conecte un potenciómetro de 10 kΩ según se indica a continuación:
 - Conecte el cable 1 al terminal 55 del variador.
 - Conecte el cable 2 al terminal 53 del variador.
 - Conecte el cable 3 al terminal 50 del variador.
- Gire el mando del potenciómetro hasta situarlo en la posición central, correspondiente, aproximadamente a una velocidad del compresor de 50 rps.
- Desconecte el cable 14 (resistencia del cárter) y conéctelo al terminal 22 del contactor del compresor.
- Desconecte el cable 12 (alimentación de la resistencia del cárter), prolongúelo empleando un puente terminal de 10 mm² y 250 VAC y cable marrón de 1,0 mm², y conéctelo al terminal 21 del contactor del compresor.
- Desconecte de la regleta grande los terminales 10 a 19 del controlador.
- Conecte la unidad condensadora a la fuente de alimentación (encienda el interruptor principal del equipo).

Instructions

- Ajuste el potenciómetro hasta obtener la velocidad deseada.
- Sustituya el controlador lo antes posible.

14 – Mantenimiento

⚠ Apague siempre el interruptor principal de la unidad y espere 4 minutos (tiempo de descarga del condensador) antes de abrir las puertas del ventilador para evitar posibles descargas eléctricas.

Los terminales de entrada del interruptor principal presentan tensión incluso cuando el interruptor principal está apagado; esto debe tenerse en cuenta a la hora de realizar tareas de mantenimiento y revisión.

⚠ La presión interna y la temperatura de la superficie son peligrosas y pueden ocasionar lesiones permanentes. Los operarios de mantenimiento e instaladores deben contar con las herramientas y los conocimientos adecuados. La temperatura de los tubos puede superar los 100 °C, como resultado de lo cual podrían producirse quemaduras de carácter grave.

⚠ Garantice la periodicidad de las inspecciones de servicio para asegurar la fiabilidad del equipo y el cumplimiento de la legislación local.

Para evitar problemas derivados del sistema, se recomienda llevar a cabo periódicamente las siguientes tareas de mantenimiento:

- Comprobar que los dispositivos de seguridad funcionen y su ajuste sea correcto.
- Garantizar la ausencia de fugas en el sistema.

- Comprobar el consumo de corriente del compresor.
- Confirmar que el sistema funcione de modo coherente con los registros de mantenimiento anteriores y las condiciones ambientales.
- Comprobar que todas las conexiones eléctricas se encuentren correctamente fijadas.
- Mantener limpia la unidad y comprobar la ausencia de óxido y herrumbre en los componentes, los tubos y las conexiones eléctricas.

Al menos una vez al año, debe comprobarse si el condensador sufre alguna obstrucción y ejecutarse una limpieza si se considera necesario. El acceso a la cara interna del condensador se lleva a cabo a través de la compuerta del ventilador. Las bobinas de microcanales tienden a acumular más suciedad en su superficie que en su interior, lo cual las hace más fáciles de limpiar que las bobinas de tubo con aletas.

- Apague el interruptor principal de la unidad antes de abrir la compuerta del ventilador.
- Elimine la suciedad, las hojas, las fibras, etc. de la superficie empleando un aspirador equipado con un cepillo o algún otro accesorio delicado. También puede inyectar aire comprimido a través de la bobina desde dentro hacia fuera y pasar después un cepillo de cerdas suaves. No use cepillos metálicos. No golpee ni raspe la bobina con el tubo del aspirador o la boquilla de aire.

Si el sistema refrigerante se ha abierto, deberá lavarse empleando aire seco o nitrógeno para eliminar la unidad e instalarse en él un filtro seca-

dor nuevo. Si es necesario vaciar el refrigerante, la operación deberá llevarse a cabo de tal modo que aquel no pueda escapar a la atmósfera.

15 – Garantía

En cualquier reclamación que presente al respecto de este producto, indique siempre el número de modelo y el número de serie.

La garantía del producto puede quedar anulada por los siguientes motivos:

- Ausencia de placa de características.
- Modificaciones externas; en particular, perforaciones, soldaduras, patas rotas y marcas de impactos.
- Apertura del compresor o devolución del mismo sin los precintos correspondientes.
- Presencia de óxido, agua o tinte de detección de fugas en el interior del compresor.
- Uso de un refrigerante o lubricante no autorizado por Danfoss.
- Cualquier divergencia en relación con las instrucciones recomendadas en materia de instalación, aplicación o mantenimiento.
- Uso como parte de aplicaciones móviles.
- Uso en atmósferas explosivas.
- Omisión del número de modelo o el número de serie en la reclamación de garantía.

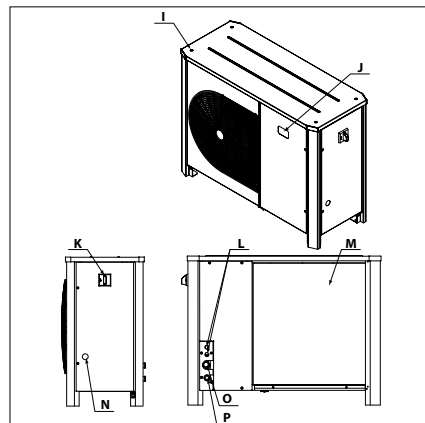
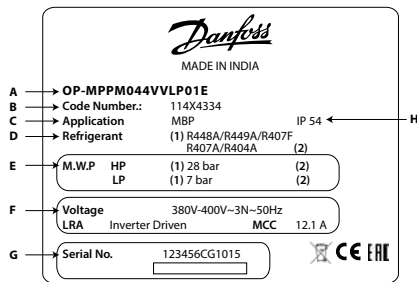
16 – Eliminación



Danfoss recomienda que la unidad condensadora y el aceite empleado para su funcionamiento sean reciclados por una empresa apta para ello y en sus instalaciones.

Optyma™ Plus INVERTER

Luftkylda aggregat OP-MPLM, OP-MPPM



- A:** Modell
- B:** Artikelnummer
- C:** Applikation
- D:** Köldmedium
- E:** Aggregatets servicetryck
- F:** Strömförsörjning, högsta strömförbrukning
- G:** Serienummer och streckkod
- H:** Skydd

- I:** Fästhål för stapelmontering
- J:** Display elektronisk styrenhet
- K:** Huvudbrytare
- L:** Kabelanslutning
- M:** Mikrokanalskondensator
- N:** Synglas
- O:** Anslutning sug.
- P:** Anslutning vätska



⚠ Aggregatet får endast användas i de syften som den är ämnad för och inom dess tilltänkta användningsområden.

⚠ Under alla omständigheter måste EN378-kraven (eller andra tillämpliga lokala säkerhetsföreskrifter) uppfyllas.

Aggregatet levereras med ett kvävgasstryck (1 bar) och kan därför inte anslutas i befintligt skick. Läs avsnittet installation för ytterligare information.

Aggregatet ska hanteras med försiktighet och i upprätt position (maximal förskjutning från upprätt position: 15°)

Kompressorn i aggregatet får inte under några omständigheter anslutas direkt till nätet, utan endast via frekvensomformare tillförda av Danfoss.



⚠ **Enheten innehåller en frekvensomformare och EMI-filtrer med kondensatorer. Koppla ned växelströmsnätet och vänta i minst 4 minuter så att alla elektriska delar laddas ur helt innan du öppnar luckan för att utföra service- eller reparationsarbete. Om du inte väntar under angiven tid efter att strömmen har kopplats ned kan dödsfall eller allvarlig personskada inträffa.**



⚠ **Installation och service av aggregatet skall endast utföras av kvalificerad personal. Följ dessa instruktioner och god branschpraxis i samband med installation, drifttagning, underhåll och service.**

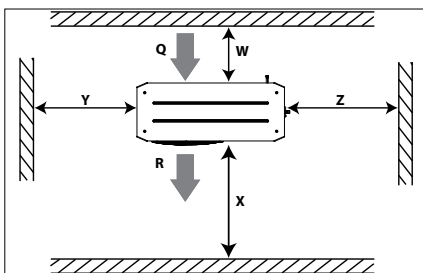


Bild 1: Minimum monteringsavstånd

Enhet	Q: Luft in				R: Luft ut			
	W [mm]	X [mm]	Y [mm]	Z [mm]	W [mm]	X [mm]	Y [mm]	Z [mm]
Hus 3	250	760	581	581				

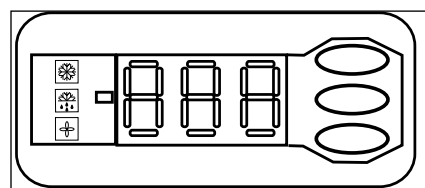


Bild 2: Elektronisk styrenhetsdisplay



Kompressor igång



Vevhusvärmare på



Fläkt igång



Temperaturvärde för sugtryck. Tryck på den nedre knappen för att växla till temperaturvärdet för kondenseringsstryck



Bild 3: Normala anslutningar

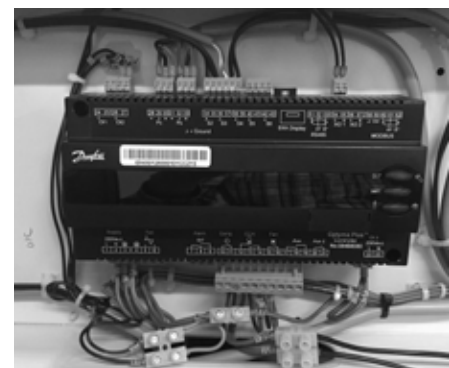


Bild 4: Tillfälliga anslutningar

Instruktioner

1 – Inledning

Dessa anvisningar avser Optyma™ Plus kondenseringsenheter OP-MPLM, OP-MPPM som används för kylsystem. De innehåller väsentlig information om säkerhet och korrekt användning av produkten.

Kondenseringsenheten innehåller följande:

- Mikrokanalens värmeväxlare
- Scrollkompressor med variabelt varvtal
- Mottagare med stoppventil
- Oljeavskiljare
- Kulventiler
- Synglas
- Hög- och lågtrycksbrytare
- Torkfilter
- Elektronisk regulator
- frekvensomformare med EMC-filter
- Huvudkrets brytare (huvudbrytare med överlastskydd)
- Fläktkondensatorer
- Kompressorcontacter
- Robust väderskyddat hus

2 – Hantering och förvaring

- Du bör inte öppna förpackningen innan enheten befinner sig på den slutliga installationsplatsen.
- Hantera enheten med försiktighet. Förpackningen kan lyftas med en gaffeltruck eller pallyft. Använd lämplig och säker lyftutrustning.
- Förvara och transportera enheten i upprätt position.
- Förvara enheten i temperaturer på mellan -35 °C och 50 °C.
- Utsätt inte förpackningen för regn eller frätande miljöer.
- Kontrollera att enheten är komplett och oskadad efter upppackningen.

3 – Förebyggande åtgärder vid installation

⚠ Placera aldrig enheten i en omgivning där det finns risk för brand.

⚠ Placera enheten så att den inte blockerar eller hindrar gångar, dörrar, fönster eller liknande.

- Kontrollera att det finns tillräckligt utrymme runt enheten för luftcirkulationen och för att öppna dörrarna. Se bild 1 för uppgifter om minsta avstånd till väggarna.
- Installera inte enheten på platser som utsätts för solens dagligen och/eller under längre perioder.
- Installera inte enheten i aggressiva eller dammiga omgivelningar.
- Kontrollera att grunden är plan (mindre än 3° lutning), samt tillräckligt stark och stabil för att bära upp enhetens hela vikt och eliminera vibrationer och störningar.
- Omgivningstemperaturen får aldrig överstiga 50 °C när enheten är ur bruk.
- Kontrollera att strömförsörjningen motsvarar enhetens egenskaper (se namnplattan).
- När du installerar enheter som är avsedda för HFC-köldmedier måste du använda utrustning som är ämnad just för HFC-köldmedier och som aldrig tidigare har använts för CFC- eller HCFC-köldmedier.
- Använd lödmaterial av silverlegering samt rena och vattenfria kopparrör som är godkända för användning i kylutrustning
- Använd rena och vattenfria systemkomponenter.
- Sugledningarna som kopplas till kompressorn måste vara tredimensionellt flexibla för att

dämpa vibrationer. Dessutom måste rördragningen göras på ett sådant sätt att oljturen är säkerställd och att risken för vätskeslag i kompressorn elimineras.

4 – Installation

- Installationen som aggregatet monteras i måste överensstämma med EU-direktivet 97/23/EG om tryckbärande anordningar. Aggregatet utgör inte i sig en enhet, i enlighet med detta direktiv.
- Enheten bör installeras på gummidämpare eller vibrationsdämpare (medföljer ej).
- Släpp långsamt ut kvävfyllningen genom schraderporten.
- Anslut enheten till systemet så snart du kan för att undvika att oljan kontamineras av luftfuktighet.
- Se till att inget material kommer in i systemet medan du skär till rören. Borra aldrig hål där det inte går att ta bort borrhög.
- Löd med stor försiktighet och använd den allra senaste tekniken och använd skyddsgas.
- Anslut alla nödvändiga säkerhets- och styrenheter. Om schraderporten används till detta ska du ta bort ventilen som sitter på insidan.
- Vi rekommenderar att sugröret isoleras upp till kompressorinloppet med 19 mm tjock isolering.

5 – Kontrollera efter läckage

⚠ Fyll aldrig kretsen med syre eller torr luft. Det kan orsaka brand eller explosion.

- Använd inte färg för att kontrollera efter läckage.
- Kontrollera efter läckage i hela systemet.
- Det maximala provtrycket är 32 bar.
- Då ett läckage upptäcks ska det repareras och ytterligare en kontroll utföras.

6 – Vakuumsugning

- Använd aldrig kompressorn för att evakuera systemet.
- Anslut en vakuumpump till både lågtrycks- och högtryckssidorna.
- Sug ner systemet under ett vakuum på 500 µm Hg (0,67 mbar) absolut tryck.
- Använd inte en megohmmeter och tillför ingen ström till kompressorn medan den är under vakuum eftersom det kan leda till skador inuti systemet.

7 – Elektriska anslutningar

- Stäng av och isolera huvudströmsmatningen.
- Kontrollera att spänningsmatningen inte kan slås till under installationen.
- Alla elektriska komponenter ska väljas enligt lokala standarder och vara kompatibla med enheten.
- Se kopplingsschemat för uppgifter om elektriska anslutningar.
- Kontrollera att strömförsörjningen motsvarar enhetens egenskaper och att strömförsörjningen är stabil (märkspänning ±10 % och märkfrekvens ±2,5 Hz)
- Dimensionera strömförsörjningskablar enligt enhetens data för spänning och ström.
- Skydda strömförsörjningen och kontrollera att jordningen är korrekt utförd.
- Jordläckströmmen överstiger 3,5 mA. Likström kan överföras till skyddsledaren. Om en jordfelsbrytare (RCD) används för att skydda vid direkt eller indirekt kontakt, är endast en jordfelsbrytare av typ B tillåten på matningssidan av denna produkt.

- Kontrollera att strömförsörjningen uppfyller lokala standarder och lagstadgade krav.
- För IT-strömförsörjningssystem öppnar du RFI-omkopplaren genom att avlägsna RFI-skruven på vänster sida av frekvensomformaren (se Snabbguide MG18Mxxx §1.2.3).
- Enheten har en elektronisk regulator. Mer information finns i bruksanvisningen till RS8GDxxx.
- Enheten har en huvudbrytare med överlastskydd. Överlastskyddet är förinställt men du bör kontrollera värdet innan du startar enheten. Överlastskyddets värde finns i kopplings-schemat i enhetens främre lucka.
- Enheten har hög- och lågtrycksbrytare som stänger av strömförsörjningen till kompressorn omedelbart om de aktiveras. Parametrarna för hög- och lågtrycksfrånslag är förinställda i styrenheten och anpassade till kompressorn som är installerad i enheten.
- Aggregatet är utrustat med en frekvensomformare för varvtalsreglering. Det är obligatoriskt att ansluta kompressorn via dess drivenhet så som visas i WD i denna instruktion.

Korrekt fassekvens för kompressorrotationsriktningen ska observeras.

- Korrekt fassekvens för kompressorn säkerställs från frekvensomvandlaren och kabeldragningen som kommer färdig från fabrik
- anslutningar från frekvensomformare till kompressorplintarna visas i kopplingsschemat

8 – Fylla på systemet

- Starta aldrig kompressorn under vakuum. Kompressorn ska vara avstängd.
- Använd bara det köldmedium som enheten är konstruerad för.
- Fyll på köldmediet i flytande tillstånd i kondensatorn eller vätskebehållaren. Säkerställ en långsam fyllning av systemet till 4–5 bar
- Fortsätt fyllningen tills installationen har uppnått ett stabilt nominellt tillstånd under drift.
- Fyllningsnivån måste ligga så nära den nominella systemnivån som möjligt för att undvika drift under för lågt tryck och för att undvika onormal överhettning. För VLZ028-044 är fyllningsgränsen för köldmediet 3,6 kg. Över denna gräns måste du skydda kompressorn mot vätsketillbakaflöde med en pump-downcykel på minst 2,3 bar(g) för R448A/R449A / 2,3 bar(g) för R407F / 2,3 bar(g) för R407A / 2,3 bar(g) för R404A eller en vätskeavskiljare.
- Låt aldrig påfyllningscylindern sitta kvar vid kretsen.

9 – Ställa in den elektroniska styrenheten

- Enheten har en elektronisk styrenhet som är fabriksprogrammerad med parametrar för den aktuella enheten. Se bruksanvisningen RS8GDXXX för mer information.
 - Den elektroniska styrenheten visar temperaturvärdet för sugtrycket i °C som standard. Om du vill visa temperaturvärdet för kondenseringstrycket trycker du på den nedre knappen (bild 2).
- Den elektroniska regulatorn är fabriksinställd för att användas med köldmediet R449A. Om ett annat köldmedium används måste köldmedieinställningen ändras. Parameter r12 måste ställas in på 0 först (programvarans huvudbrytare = av).
- Tryck i den övre knappen under några sekunder. Den första parameterkoden visas.
 - Tryck på den övre eller nedre knappen för att hitta parameterkoden o30.

Instruktioner

- Tryck på mittenknappen tills värdet för den här parametern visas.
- Tryck på den övre eller nedre knappen för att välja ett nytt värde: 17 = R507A, 19 = R404A, 21 = R407A, 37 = R407F, 40 = R448A, 41 = R449A.
- Tryck på mittenknappen för att bekräfta det valda värdet.
- Gå tillbaka till parameter r12 och ändra den till 1.
- Ändra vid behov även parameter r23 till önskat sugtryck (°C/°F).
- Ändra parameter c33 för pump-down enligt dina behov.

10 – Verifiering före driftsättning

△ Använd säkerhetsenheter som t.ex. tryckbrytare och mekaniska säkerhetsventiler som överensstämmer med både allmänna och lokala föreskrifter och säkerhetsstandarder. Se till att de fungerar och är ordentligt installerade.

△ Kontrollera att tryckbrytarnas och säkerhetsventilernas inställningar inte överstiger det maximala drifttrycket för någon komponent i systemet.

- Kontrollera att alla elektriska anslutningar sitter ordentligt och överensstämmer med lokala föreskrifter.
- Vevhusvärmaren måste strömsättas minst 12 timmar innan den första drifttagningen eller efter långvarig avstängning för att ta bort köldmedium i vätskeform från kompressorn. Ta bort DI1-pluggen från regulatorterminalen för att undvika att kompressorn startar och slå på huvudbrytaren under denna period.
- Enheten har en huvudbrytare med överlastskydd. Överlastskyddet är förinställt från fabriken, men du bör kontrollera värdet innan du tar enheten i drift. Överlastskyddets värde hittar du på kopplingsdiagrammet på enhetens främre lucka.

11 – Start

- Enheten får bara startas om köldmedium har fyllts på i den.
- Alla serviceventiler måste vara öppna.
- Kontrollera att enhetens och elnätets spänningar stämmer överens.
- Kontrollera att vevhusvärmaren arbetar.
- Kontrollera att fläkten kan rotera fritt.
- Balansera högtrycket och lågtrycket.
- Starta enheten. Den måste starta omedelbart. Om kompressorn inte startar ska du kontrollera anslutningarna och spänningen på terminalerna.
- Backrotation hos trefaskompressorn upptäcks från regulatorterminalen och kan identifieras på följande sätt: kompressorn bygger inte upp tryck, den avger onormalt högt buller och har en onormalt låg energiförbrukning. Stäng i sådana fall av enheten omedelbart och anslut faserna till rätt terminaler.
- Om rotationsriktningen är korrekt ska lågtrycksindikeringen på styrenheten (eller lågtrycksmätaren) visa ett sjunkande tryck och högtrycksindikatorn (eller högtrycksmätaren) ska visa ett ökande tryck.

12 – Kontroll medan enheten är i drift

- Kontrollera fläktens rotationsriktning. Luften måste flöda från kondenseringsenheten och mot fläkten.
- Kontrollera aktuell strömförbrukning och spänning.

- Kontrollera saggasöverhettningen för att minska risken för vätskeslag.
- Den optimala överhettningen för kompressorn är omkring 6 K. Max tillåten överhettning är 30 K. Observera oljenivån vid start och under drift för att bekräfta att oljenivån fortsätter att synas. För mycket skum i oljesynglaset tyder på köldmedium i sumpen.
- Övervaka oljesynglaset i en timme efter det att systemet balanserats för att säkerställa att oljan går tillbaka in i kompressorn. Den här oljekontrollen måste göras i olika hastigheter för att säkerställa:
 - en god oljeretur vid låg hastighet med minimal gashastighet.
 - en god oljereturhantering vid hög hastighet med maximalt oljespill.

- Om kompressorn har ett synglas ska du kontrollera oljenivån vid start och under drift. Oljenivån ska alltid vara synlig.
- Respektera alla driftgränsvärden.
- Kontrollera att inga rör vibrerar på ett onormalt sätt. Om de rör sig mer än 1,5 mm måste du åtgärda problemet genom att fästa t.ex. rörkonsoler.
- När det behövs kan mer flytande köldmedium fyllas på på lågtryckssidan så långt från kompressorn som möjligt. Kompressorn måste vara i drift under den här processen.
- Överbelasta inte systemet.
- Släpp aldrig ut köldmedium i atmosfären.
- Innan du lämnar installationsplatsen ska du utföra en allmän inspektion av installationen för att kontrollera renlighet, ljudnivå och läckage.
- Notera vilken typ av köldmedium som används och hur mycket samt driftsförhållanden, så att du kan använda detta som referens för framtida inspektioner.

Kompressorn bygger inte upp tryck: Kontrollera alla bypassventiler i systemet för att säkerställa att ingen av dessa har öppnats. Kontrollera även att magnetventilerna står i korrekt läge.

- Onormalt driftljud: Se till att ingen vätska flyter tillbaka till kompressorn genom att mäta returgasens överhettning och oljesumpens temperatur i kompressorn. Sumpen ska vara minst 6 K över den mättade saggastemperaturen vid normala driftförhållanden.
- Högtrycksbrytaren löser ut: Kontrollera kondensorns funktioner (t.ex. att kondensorn är ren, att fläkten fungerar, vattenflödet och vattentrycksventilerna, vattenfiltret osv.) Om alla dessa fungerar som de ska kan problemet bero på antingen överfyllning av köldmedium eller att ett icke-kondenserbart ämne (t.ex. luft, fukt) har trängt in i kretsen.
- Lågtrycksbrytaren löser ut: Kontrollera förångarens funktioner (t.ex. att batteriet är rent, att fläkten fungerar, vattenflödet, vattenfiltret osv.), köldmediets flöde och trycksänkning (magnetventil, filtretorkare, expansionsventil osv.), hur mycket köldmedium som finns.
- Låg köldmediefyllning: Korrekt mängd köldmedium utläses på synglaset för vätskan, kondensorns Delta T i förhållande till trycktabellerna för köldmediet (trycktemperatur), överhettningen och underkylningen osv. (om du behöver fylla på med mer ska du läsa avsnitt 8).

13 – Körning utan styrenhet i nödläge

Om styrenheten slutar fungera kan det luftkylade aggregatet fortfarande köras, såvida styrenhetens standardanslutning (WD1) har ändrats till

en tillfällig anslutning (WD2) enligt beskrivningen nedan.

△ Den här modifieringen får bara utföras av behörig elektriker. Följ alltid gällande lagar och bestämmelser i det aktuella landet.

△ Koppla från kondenseringsenheten från strömförsörjningen (stäng av den med huvudbrytaren)

- Rumstermostatens kontakt måste kunna klara 250 V AC.
- Ta bort kabel 22 (säkerhetsingång DI3) och kabel 6 (strömtillförsel till fläkt) och koppla samman dem. En fläkttrycksbrytare (t.ex. KP5) eller fläktvarvtalsregulator (t.ex. XGE) kan seriekopplas till kabel nr 6
- Ta bort kabel 10 (start av omformare) och kabel 24 (rumstermostat) och koppla samman dem
- Ta bort kabel 11 (start av omformare) och kabel 25 (rumstermostat) och koppla samman dem
- Ta bort kabel 53 och 55 från frekvensomformaren plintar och anslut en 10 kOhm potentiometer enligt nedan:
 - kabel 1 till frekvensomformarens plint 55
 - kabel 2 till frekvensomformarens plint 53
 - kabel 3 till frekvensomformarens plint 50
- Vrid vredet på potentiometern till mittläget, vilket ungefär motsvarar ett kompressorvarvtal på 50 varv/sekund
- Ta bort kabel 14 (vevhusvärmare) och koppla ihop den med kontaktorterminal 22 för kompressorn.
- Ta bort kabel 12 (matning för vevhusvärmare), förläng kabeln med hjälp av en 250 V AC-terminalbrygga på 10 mm² och en brun kabel på 1,0 mm² och koppla ihop den med kontaktorterminal 21 för kompressorn.
- Ta bort det stora anslutningsblocket från styrenhetens anslutningar 10 till 19.
- Anslut kondenseringsenheten till strömförsörjningen (slå till huvudbrytaren).
- Justera potentiometern för att uppnå önskad hastighet.
- Byt ut regulatorterminalen så snart som möjligt.

14 – Underhåll

△ Slå alltid av aggregatet med huvudbrytaren och vänta 4 minuter (kondensatorns urladdningstid) innan du öppnar fläktluckan(-orna) för att undvika elektriska stötar.

Även när huvudbrytaren är AV finns spänning på de inkommande plintarna på huvudbrytaren och detta måste beaktas vid underhåll och service.

△ Det interna trycket och yttemperaturen utgör en fara och kan orsaka permanenta skador. Underhållsarbetare och installatörer besitter den kunskap som krävs och har tillgång till lämpliga verktyg. Rörens temperatur kan överstiga 100 °C och kan orsaka allvarliga brännskador.

△ Rutinmässiga serviceinspektioner ska utföras för att systemet ska fungera pålitligt och enligt lokala föreskrifter.

För att förhindra att systemrelaterade problem med kompressorn uppstår rekommenderar vi att följande rutinmässiga underhållsarbeta utförs:

- Kontrollera att säkerhetsenheterna fungerar och är korrekt inställda.
- Kontrollera att systemet är tätt och att det inte läcker.
- Kontrollera kompressorns strömförbrukning.
- Bekräfta att systemet fungerar på ett sätt som är konsekvent med observationer från tidigare underhållsarbeta och nuvarande miljöförhållanden.
- Kontrollera att alla elektriska anslutningar sitter ordentligt.

Instruktioner

- Håll kompressorn ren och kontrollera att det inte finns någon rost eller oxidering på kompressorns hölje, rör och elektriska anslutningar.

Kondenseringsenheten måste kontrolleras minst en gång om året och rengöras vid behov. Åtkomst till kondenseringsenhetens innerutrymmen sker genom fläktluckan. Mikrokanalens kondensort tenderar att ackumulera smuts på utsidan vilket gör dem lättare att rengöra än kondensorer med flänsar och rör.

- Stäng av enheten med huvudbrytaren innan du öppnar fläktdörren.
- Ta bort smuts, löv, fibrer osv. med en dammsugare som har en borste eller något annat mjukt verktyg. Du kan även blåsa tryckluft igenom batteriet från insidan och utåt, och borsta av med en mjuk borste. Använd inte stålborste. Slå inte och skrapa inte batteriet med sugröret eller luftmunstycket.

Om köldmediesystemet har öppnats måste systemet rensas med torr luft eller kväve för att få bort fukt, varefter ett nytt torkfilter ska monteras. Om köldmediet behöver tappas av får inget köldmedium läcka ut i omgivningarna.

15 – Garanti

Skicka alltid med modellnumret och serienumret med alla krav som anmäls med avseende på produkten.

Produktgarantin kanske inte gäller i följande fall:

- Namnplattan saknas.
- Ändringar har gjorts på utsidan, t.ex. borrar, svetsning, trasiga fötter och märken.
- Kompressorn är öppnad eller skickas tillbaka oförseglad.
- Det finns rost, vatten eller läckagedetekteringsfärg inuti kompressorn.
- Ett köldmedium eller smörjmedel som inte godkänts av Danfoss har använts.

- De rekommenderade instruktionerna för installation, användning eller underhåll har inte följts.
- Användning i mobila applikationer.
- Användning i explosiva miljöer.
- Modellnumret eller serienumret har inte skickats med kravet.

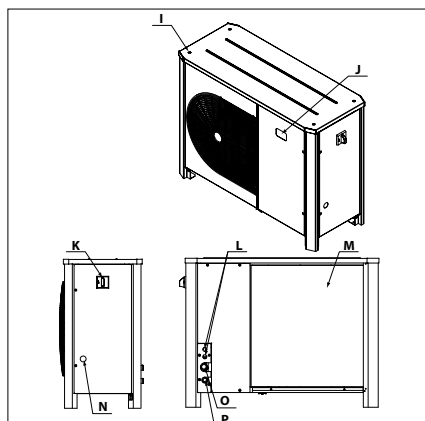
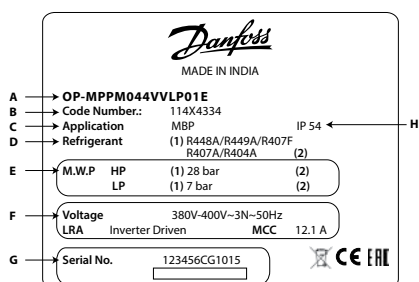
16 – Kassering



Danfoss rekommenderar att kondenseringsenheterna och oljan återvinns av ett lämpligt företag inom deras område.

Optyma™ Plus INVERTER

Koelgroepen OP-MPLM, OP-MPPM



- A: Model
- B: Bestelnummer
- C: Toepassing
- D: Koelmiddel
- E: Werkdruk behuizing
- F: Voedingsspanning, maximaal stroomverbruik
- G: Serienummer en streepjescode
- H: Bescherming

- I: Openingen voor gestapelde montage
- J: Elektronisch controllerscherm
- K: Hoofdschakelaar
- L: Kabelingangen
- M: Warmtewisselaar met microkanalen
- N: Kijkglas
- O: Zuigleiding
- P: Vloeistofleiding



⚠ De koelgroep mag uitsluitend worden gebruikt waarvoor hij is ontworpen en binnen het toepassingsbereik.

⚠ De voorwaarden van EN378 (of van andere toepasselijke lokale veiligheidsvoorschriften) moeten onder alle omstandigheden worden nageleefd.

De koelgroep wordt geleverd met stikstofgas onder druk (1 bar) en mag daarom niet met een worden aangesloten; raadpleeg het deel "Installatie" voor meer informatie.

Ga steeds voorzichtig om met de koelgroep in verticale positie (maximale uitwijking van de verticale positie: 15°)

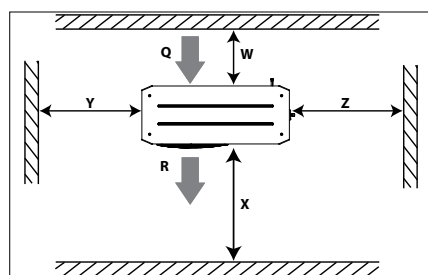
De compressor van de koelgroep kan nooit direct worden aangesloten op het voedingsnet, alleen via een originele frequentieomvormer van Danfoss



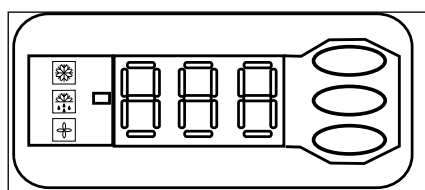
Deze unit is voorzien van een frequentieomvormer en een EMI-filter met condensatoren. Onderbreek de netspanning en wacht minstens 4 minuten totdat alle elektrische onderdelen zijn ontladen, voordat u de deur opent om service- of reparatiewerkzaamheden uit te voeren. Als u de aangegeven wachttijd na onderbreking van de voeding niet in acht neemt, kan dat leiden tot ernstig of dodelijk letsel.



Installatie en onderhoud van de koelgroepen mag alleen worden uitgevoerd door deskundig personeel. Volg deze instructies en werk met erkende koelbedrijven met betrekking tot de installatie, de gebruiknaam, het onderhoud en de bediening.



Afbeelding 1: Minimale plaatsingsafstand



Afbeelding 2: Elektronisch bedieningspaneel



Compressor ingeschakeld



Carterverwarming aan



Ventilator draait

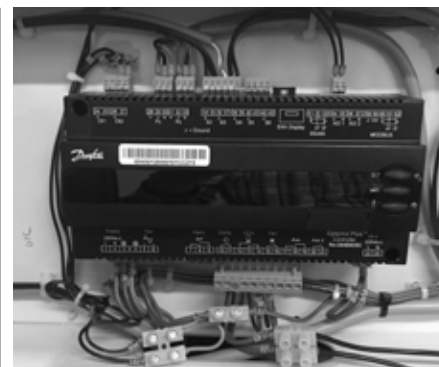
Temperature value for the suction pressure. Press the bottom button to switch over to the temperature value for the condensation pressure.

Q: Luchtaanvoer R: Luchtafvoer

Apparaat	W [mm]	X [mm]	Y [mm]	Z [mm]
Behuizing 3	250	760	581	581



Afbeelding 3: Normale bekabeling



Afbeelding 4: Tijdelijke bekabeling

Instructies

1 – Inleiding

Deze instructies zijn van toepassing op de Optyma™ Plus-koelgroepen OP-MPLM, OP-MPPM die gebruikt worden voor koelsystemen. U vindt er de nodige informatie over de veiligheid en het correct gebruik van dit product.

De koelgroep bevat de volgende onderdelen:

- Warmtewisselaar met microkanalen
- Scrollcompressor met variabele snelheid
- Vloeistofvat met afsluiter
- Olieafscheider
- Kogelafsluiters
- Kijkglas
- Hoge- en lagedrukschakelaars
- Filterdroger
- Elektronische controller
- Compressor met frequentieomvormer en EMC-filter.
- Hoofdstroomonderbreker (hoofdschakelaar met overbelastingsbeveiliging)
- Ventilatorcondensatoren
- Compressorschakelaar
- Stevige weerbestendige behuizing

2 – Hanteren en opbergen

- Wij raden u aan de verpakking pas te openen als het apparaat zich in de ruimte bevindt waar u het wilt installeren.
- Ga voorzichtig om met het apparaat. Door de verpakking is het mogelijk om een vorkheftruck of palletwagen te gebruiken. Gebruik geschikte en veilige hefapparatuur.
- Bewaar en transporteer het apparaat rechtopstaand.
- Bewaar het apparaat tussen -35°C en 50°C.
- Stel de verpakking niet bloot aan regen of een bijtende omgeving.
- Controleer na het uitpakken of het apparaat volledig en onbeschadigd is.

3 – Voorzorgsmaatregelen bij de installatie

⚠ Gebruik het apparaat nooit in een ontvlambare atmosfeer.

⚠ Plaats het apparaat zodat het geen wandelzones, deuren, ramen en dergelijke blokeert of hindert.

- Zorg voor voldoende ruimte rond het apparaat voor luchtcirculatie en om deuren te kunnen openen. Zie afbeelding 1 voor de minimale afstanden tussen het apparaat en een muur.
- Vermijd installatie van het apparaat op een locatie waar het dagelijks langdurig wordt blootgesteld aan direct zonlicht.
- Vermijd installatie van het apparaat in corrosieve en stoffige omgevingen.
- Zorg voor een vlakke ondergrond (helling van minder dan 3°) die sterk en stabiel genoeg is om het gewicht van het apparaat te dragen en trillingen en storingen te elimineren.
- De omgevingstemperatuur rond het apparaat mag nooit meer dan 50°C bedragen tijdens de uit-cyclus.
- Zorg ervoor dat de voeding overeenkomt met de eigenschappen van het apparaat (zie naamplaatje).
- Gebruik bij de installatie van apparatuur voor HFC-koelmiddelen uitsluitend apparatuur die geschikt is voor HFC-koelmiddelen en die nog nooit werd gebruikt voor CFC- of HCFC-koelmiddelen.
- Gebruik schone en droge koperbuizen en soldeer materiaal van zilverlegering geschikt voor gebruik in koelsystemen.
- Gebruik schone en droge systeemonderdelen.
- De zuigleiding die wordt aangesloten op de compressor moet flexibel zijn in 3 richtingen om trillingen te dempen. De leidingen moeten bovendien worden geïnstalleerd zodat de olie

goed terugkeert naar de compressor en het risico op vloeistofslag in de compressor geëlimineerd wordt.

4 – Installatie

- De installatie waarin de koelgroep geïnstalleerd wordt, moet voldoen aan de Richtlijn drukapparatuur (PED) nr. 97/23/EG. De koelgroep zelf is geen "unit" in de zin van deze richtlijn.
- Wij raden u aan het apparaat op rubberen voetjes of trillingsdempers te plaatsen (niet bijgeleverd).
- Laat langzaam de beschermende stikstofvulling vrij via het schraderventiel.
- Sluit het apparaat zo snel mogelijk aan op het systeem om vervuiling van de olie door vocht in de lucht te voorkomen.
- Zorg er bij het snijden van de buizen voor dat er geen materiaal in het systeem terecht komt. Boor nooit gaten op plaatsen waar de bramen niet kunnen worden verwijderd.
- Soldeer voorzichtig door gebruik te maken van de modernste technieken en ventileer de leiding met stikstofgas.
- Sluit de vereiste veiligheids- en controleapparaten aan. Als hiervoor het schraderventiel wordt gebruikt, verwijdert u de interne klep.
- Wij raden u aan de zuigleiding te isoleren met isolatiemateriaal van 19 mm dik tot aan de compressoropening.

5 – Lekdetectie

⚠ Zet het circuit nooit onder druk met zuurstof of droge lucht. Dat kan brand of een ontploffing veroorzaken.

- Gebruik geen kleurstof voor lekdetectie
- Voer een lekdetectietest uit op het volledige systeem
- De maximale testdruk bedraagt 32 bar.
- Als er een lek wordt ontdekt, moet dat lek worden hersteld en moet de lekdetectie worden herhaald.

6 – Vacuümdroging

- Gebruik de compressor nooit om het systeem leeg te maken.
- Sluit een vacuümpomp aan op zowel de LP- als de HP-zijde.
- Laat de druk van het systeem zakken tot een vacuüm van 500 µm Hg (0,67 mbar) absoluut.
- Gebruik geen megger en zet de compressor niet onder stroom terwijl deze vacuüm is aangezien dat interne schade kan veroorzaken.

7 – Elektrische aansluitingen

- Schakel de hoofdvoeding uit en koppel deze volledig los.
- Zorg ervoor dat de voeding niet kan ingeschakeld worden tijdens de installatie.
- Alle elektrische onderdelen moeten worden gekozen op basis van de lokale normen en apparaatvereisten.
- Raadpleeg het bedradingsschema voor meer informatie over de elektrische aansluitingen.
- Zorg ervoor dat de voeding afgestemd is op de eigenschappen van het apparaat en dat de voeding stabiel is (nominale voltage ±10 % en nominale frequentie ±2,5 Hz)
- Kies voor de geschikte voedingskabels op basis van de apparaatgegevens voor het voltage en de stroom.
- Beveilig de voeding en zorg voor een correcte aarding.
- De aardlekstroom is groter dan 3,5 mA. DC-voeding kan worden geleverd aan de aardleiding. Daar waar een aardlekschakelaar (RCD) wordt gebruikt voor bescherming in geval van direct of indirect contact, is alleen een type B RCD toegestaan aan de voedingszijde van dit product.

- Zorg ervoor dat de voeding afgestemd is op de lokale normen en wettelijke vereisten.
- Voor IT-voedingssystemen; open de RFI-schakelaar door de RFI-schroef te verwijderen aan de linker zijde van de frequentie-omvormer (zie beknopte handleiding MG18Mxxx §1.2.3).
- De Koelgroep is uitgerust met een elektronische regelaar. Raadpleeg de handleiding RS-8GDxxx voor meer informatie.
- Het apparaat is uitgerust met een hoofdschakelaar met overbelastingsbeveiliging. De overbelastingsbeveiliging is standaard ingeschakeld. Wij raden u echter aan deze waarde te controleren vooraleer u het apparaat in gebruik neemt. U vindt de waarde voor de overbelastingsbeveiliging terug op het bedradingsschema op het voorpaneel van het apparaat.
- Het apparaat is uitgerust met hoge- en lagedrukschakelaars, die in geval van activering de voeding naar de compressor onmiddellijk afsluit. De parameters voor hoge- en lagedrukonderbrekingen zijn voorgeprogrammeerd in de controller en zijn aangepast aan de compressor die in het apparaat is geïnstalleerd.
- De unit is uitgerust met een compressor-aandrijving voor toerentalregeling. Het is verplicht de compressor via de aandrijving aan te sluiten zoals weergegeven op de WD van deze instructie.

Let op de juiste fase-volgorde voor compressorrotatie.

- De juiste compressor voedingsfasevolgorde wordt gewaarborgd door de frequentie-omvormer en fabrieksbedrading
- aansluitingen van de frequentieomvormer naar de compressorklemmen worden in het bedradingsschema weergegeven

8 – Het systeem vullen

- Start de compressor nooit terwijl deze vacuüm is. Laat de compressor uitgeschakeld.
- Gebruik uitsluitend het koelmiddel waarvoor het apparaat is bestemd.
- Voeg het koudemiddel in vloeibare vorm toe aan de condensor of het vloeistofreservoir. Zorg voor een langzame vulling van het systeem tot 4 – 5 bar.
- De resterende vulling wordt uitgevoerd tot de installatie een stabiel nominaal niveau heeft bereikt tijdens de werking.
- De vulling moet de nominale systeemvulling zo dicht mogelijk benaderen om werking bij lage druk en extreme oververhitting te voorkomen. Voor VLZ028-044, is de koelmiddelvulling beperkt tot 3,6kg. Boven deze limiet; bescherm de compressor tegen terugstromende vloeistof met een pump down cyclus van niet lager dan 2,3 bar(g) voor R448A/R449A / 2,3 bar(g) voor R407F / 2,3 bar(g) voor R407A / 2,3 bar(g) voor R404A of een zuigleiding-accumulator.
- Laat de vulcilinder nooit aangesloten op het circuit.

9 – De elektronische controller instellen

- Het apparaat is uitgerust met een elektronische controller die voorgeprogrammeerd is met parameters die geschikt zijn voor gebruik met het apparaat. Raadpleeg de handleiding RS8GDXXX voor meer informatie.
- Het scherm van de elektronische controller toont standaard de temperatuurwaarde voor de aanzuigdruk in °C. Druk op de onderste knop (afbeelding 2) om de temperatuurwaarde voor de condensatiedruk weer te geven.
- De elektronische regelaar wordt standaard ingesteld om met koelmiddel R449A te werken. Als een

Instructies

ander koelmiddel wordt gebruikt, moet de koelmiddelinstelling worden gewijzigd. Parameter r12 moet eerst worden ingesteld op 0 (hoofdschakelaar software = uit).

- Druk gedurende enkele seconden op de bovenste knop. De eerste parametercode verschijnt.
- Druk op de bovenste of onderste knop om parametercode o30 te zoeken.
- Druk op de middelste knop tot de waarde voor deze parameter wordt weergegeven.
- Druk op de bovenste of onderste knop om de nieuwe waarde te selecteren: 17 = R507A, 19 = R404A, 21=R407A, 37=R407F, 40=R448A, 41=R449A.
- Druk op de middelste knop om de geselecteerde waarde te bevestigen.
- Ga terug naar parameter r12 en wijzig deze naar 1.
- Wijzig indien nodig ook parameter r23 naar de gewenste zuigdruk (°C/°F).
- Wijzig parameter c33 voor de pump down waarde overeenkomstig uw behoeften.

10 – Controle voor ingebruikname

⚠ Gebruik veiligheidsapparatuur zoals een drukschakelaar en een mechanische veiligheidsklep in overeenstemming met de algemene en plaatselijke voorschriften en veiligheidsnormen. Zorg ervoor dat deze apparatuur actief is en correct is ingesteld.

⚠ Controleer of de instellingen van hogedrukschakelaars en veiligheidskleppen niet hoger zijn dan de maximale werkdruk van de systeemonderdelen.

- Controleer of alle elektrische verbindingen correct zijn doorgevoerd en voldoen aan de plaatselijke regelgeving.
- Bij gebruik van een carterverwarming moet deze minstens 12 uur voor de eerste opstart ingeschakeld worden en moet dit opnieuw gebeuren als het apparaat lang niet werd gebruikt om vloeibaar koelmiddel uit de compressor te laten verdampen. Verwijder de DI1 plug uit de regelaar om te voorkomen dat de compressor start en zet de hoofdschakelaar AAN gedurende deze periode.
- Het apparaat van uitgerust met een hoofdschakelaar met overbelastingsbeveiliging. De overbelastingsbeveiliging is standaard ingeschakeld. Wij raden u echter aan deze waarde te controleren vooraleer u het apparaat in gebruik neemt. U vindt de waarde voor de overbelastingsbeveiliging terug op het bekabelingsschema op het voorpaneel van het apparaat.

11 – Opstarten

- Start het apparaat nooit wanneer er geen koelmiddel is gevuld.
- Alle kleppen moeten in de open positie staan.
- Zorg ervoor dat het apparaat en de voeding op elkaar afgestemd zijn.
- Controleer of de carterverwarming werkt.
- Controleer of de ventilator ongehinderd kan draaien.
- Breng de HP/LP-druk in evenwicht.
- Bij het aanzetten van het apparaat moet deze meteen starten. Als de compressor niet start, controleer dan de bedrading en de spanning op de aansluitingen.
- Een omgekeerde draairichting van de driefasige compressor wordt gedetecteerd door de regelaar aan de hand van de volgende kenmerken; de compressor bouwt geen druk op, maakt abnormaal veel geluid en verbruikt abnormaal weinig energie. Schakel in dat geval het apparaat onmiddellijk uit en sluit de fases aan op de correcte aansluitingen.
- Als de draairichting correct is, geeft de lagedrukaanduiding op de controller (of de lagedrukmeter) een afnemende druk weer en geeft de

hogedrukaanduiding (of de hogedrukmeter) een toenemende druk weer.

12 – Controleren met het apparaat ingeschakeld

- Controleer de draairichting van de ventilator. De lucht moet via de condensor naar de ventilator stromen.
 - Controleer het stroomverbruik en voltage.
 - Controleer op oververhitting van de afzuiging om het risico op vloeistofslag te verminderen.
 - De optimale oververhitting in de zuigleiding van de compressor is ongeveer 6K. De maximaal toegestane oververhitting is 30K.
- Bekijk het oliepeil bij het opstarten en tijdens bedrijf om te verifiëren of het oliepeil zichtbaar blijft. Overmatige schuimvorming in het olietankglas is een aanwijzing voor koelmiddel in het carter.
- Houd het oliepeil via het kijkglas gedurende 1 uur in de gaten om zeker te zijn van een goede olietour naar de compressor. Deze oliecontrole moet over het gehele snelheidsbereik worden uitgevoerd om te zorgen voor:
 - een goede olietour bij lage snelheden met een minimale snelheid van het gas;
 - een goed oliebeheer bij hoge snelheden met een maximale oliedoorvoer.
 - Respecteer de werkingslimieten.
 - Controleer alle buizen op abnormale trillingen. Bewegingen van meer dan 1,5 mm moeten worden gecorrigeerd, bijvoorbeeld met leidingbeugels.
 - Voeg indien nodig extra koelmiddel toe in vloeibare toestand aan de lagedrukszijde, zo ver mogelijk van de compressor verwijderd. De compressor moet draaien tijdens dit proces.
 - Overlaad het systeem niet.
 - Laat nooit koelmiddel ontsnappen in de atmosfeer.
 - Voer een algemene inspectie uit van de installatie voordat u de locatie verlaat en controleer op netheid, lawaai en lekken.
 - Noteer het type en de hoeveelheid koelmiddel en ook de werkomstandigheden als referentie voor toekomstige inspecties.

Compressor bouwt geen druk op: Controleer alle omloopventielen in het systeem om na te gaan of ze niet geopend zijn. Controleer ook of alle magneetventielen zich in de juiste positie bevinden.

- Abnormaal geluid tijdens werking: Controleer of er geen vloeistof terugstroomt naar de compressor door de temperatuur te meten van het zuiggas en in het compressorcarter. De cartertemperatuur moet minimaal 6 K hoger zijn dan de verzadigde aanzuigtemperatuur bij stationaire bedrijfscondities.
- De hogedrukschakelaar slaat aan: Controleer de werking van de condensor (netheid van de condensor, werking van de ventilator, watertroom en waterdrukventiel, waterfilter, enz.). Als alles in orde is, kan het probleem te wijten zijn aan een overvulling van koelmiddel of de aanwezigheid van een niet-condenseerbaar middel (bv. lucht, vocht) in het circuit.
- De lagedrukschakelaar slaat aan: Controleer de werking van de verdamp(er) (netheid van de spoel, werking van de ventilator, watertroom, waterfilter, enz.), dalingen in het debiet van het vloeibare koelmiddel en de druk (magneetventiel, filterdrager, expansieventiel, enz.), hoeveelheid koelmiddel.
- Weinig koelmiddel: De correcte hoeveelheid koelmiddel wordt aangegeven in het kijkglas, de condensor delta T in verhouding met de koelmiddeldruktabellen (druk-temperatuur), de oververhitting en onderkoeling, enz. (raadpleeg hoofdstuk 8 als bijvullen nodig lijkt).

13 – Noodwerking zonder controller

Bij een storing van de controller, kunt u de koelgroep blijven gebruiken als u de standaard bedrading (WD1) wordt gewijzigd naar een tijdelijke bedrading (WD5), zoals hieronder beschreven.

⚠ Deze aanpassing mag alleen door bevoegde elektriciens worden uitgevoerd. Houd rekening met de geldende wetgeving.

⚠ Koppel de voeding van de koelgroep los (zet de hoofdschakelaar van de hardware uit).

- Contact met de kamerthermostaat moet mogelijk zijn om over te schakelen naar 250 Vac.
- Verwijder draad 22 (veiligheidsingang DI3) en draad 6 (ventilatorvoeding) en verbind deze. Een ventilatordrukschakelaar (bijv. KP5) of een ventilatorsnelheidsregelaar (bijv. XGE) kan serieel worden aangesloten op kabel 6.
- Verwijder draad 10 (aandrijving start) en draad 24 (ruimtethermostaat) en verbind deze met elkaar.
- Verwijder draad 11 (aandrijving start) en draad 25 (ruimtethermostaat) en verbind deze met elkaar.
- Verwijder draad 53 en 55 van de frequentievormerklemmen en sluit een 10kOhm potentiometer als volgt aan: draad 1 naar klem 55 draad 2 naar klem 53 draad 3 naar klem 50
- Draai de knop van de potentiometer naar de middenstand, hetgeen overeenkomt met een compressortoerental van bij benadering 50 tps
- Koppel kabel 14 los (carterverwarming) en verbind hem met de compressorschakelaar op aansluiting 22.
- Koppel kabel 12 los (voeding van de carterverwarming), verleng deze kabel door middel van een aansluitbrug van 250 V AC, 1,0 mm² en een bruine kabel van 1,0 mm² en verbind hem met de compressorschakelaar op aansluiting 21
- Verwijder het grote aansluitingsblok van de controlleraansluitingen 10 tot 19.
- Schakel de voeding van de koelgroep in (zet de hoofdschakelaar van de hardware aan).
- Stel de potentiometer in om het gewenste toerental te verkrijgen.
- Vervang de regelaar zo snel mogelijk.

14 – Onderhoud

⚠ Schakel de unit altijd uit met de hoofdschakelaar en wacht 4 minuten (condensator ontladings-tijd) voordat u de ventilatordeur(en) opent om elektrische schokken te voorkomen.

Zelfs wanneer de hoofdschakelaar UIT is, staat er spanning op de ingaande klemmen van de hoofdschakelaar en hier moet rekening mee gehouden worden tijdens onderhoud en service.

⚠ De interne druk en oppervlaktetemperatuur zijn gevaarlijk en kunnen permanente letsels veroorzaken. Onderhoudstechnici en installateurs moeten over de juiste vaardigheden en het juiste materiaal beschikken. De leidingtemperatuur kan meer dan 100°C bedragen en ernstige brandwonden veroorzaken.

⚠ Zorg voor periodieke onderhoudsinspecties om de betrouwbaarheid van het systeem te garanderen en te voldoen aan de plaatselijke voorschriften.

Om systeemgerelateerde problemen te voorkomen, wordt het volgende periodieke onderhoud aanbevolen:

- Controleren of veiligheidsapparaten werken en correct zijn ingesteld.
- Het systeem controleren op lekken.
- Het stroomverbruik van de compressor controleren.

Instructies

- Controleren of het systeem werkt op een manier die vergelijkbaar is met vorige onderhoudsverslagen en de omgevingsomstandigheden.
- Controleren of alle elektrische aansluitingen goed zijn bevestigd.
- Het apparaat schoon houden en controleren of er geen roest en oxidatie aanwezig is op de onderdelen van het apparaat, de buizen en de elektrische verbindingen.

De condensor moet minstens één keer per jaar gecontroleerd worden op verstoppingen en moet indien nodig gereinigd worden. U krijgt toegang tot de binnenkant van de condensor door de ventilatordeur te openen. De warmtewisselaars met microkanalen raken eerder aan de buitenzijde bestoft, waardoor deze gemakkelijker te reinigen zijn dan warmtewisselaars met vinnen.

- Schakel de koelgroep uit met de hoofdschakelaar voordat u de ventilatordeur opent.

- Verwijder stof, bladeren en ander vuil met een stofzuiger waaraan een borstel of een andere zacht opzetstuk bevestigd is. U kunt ook langs de binnenzijde perslucht door de spoelen blazen en deze schoonvegen met een zachte borstel. Gebruik hiervoor geen draadborstel. Zorg ervoor dat u niet tegen de spoel stoot met de buis van de stofzuiger of de mond van de luchtblazer.

Als het koelsysteem geopend werd, moet het worden gespoeld met droge lucht of stikstof om vocht te verwijderen, en moet er een nieuwe filterdroger worden geïnstalleerd. Als het koelmiddel afgelaten moet worden, dient dit te gebeuren zodat er geen koelmiddel kan ontsnappen.

15 - Waarborg

Vermeld altijd het modelnummer en serienummer bij het indienen van een claim over dit product. De productwaarborg kan in de volgende gevallen vervallen:

- Afwezigheid van het naamplaatje
- Externe wijzingen; in het bijzonder, boren, lassen, gebroken steunvoet en schokmarkeringen
- Compressor werd geopend of onverzegeld teruggestuurd
- Roest, water of lekdetectiekleurstof in de compressor
- Gebruik van een koelmiddel of smeermiddel dat niet door Danfoss is goedgekeurd.
- Afwijkingen van de aanbevolen installatie-, bedienings- of onderhoudsinstructies
- Gebruik voor mobiele toepassingen
- Gebruik in een omgeving met een explosieve atmosfeer
- Geen modelnummer of serienummer vermeld op de waarborgclaim

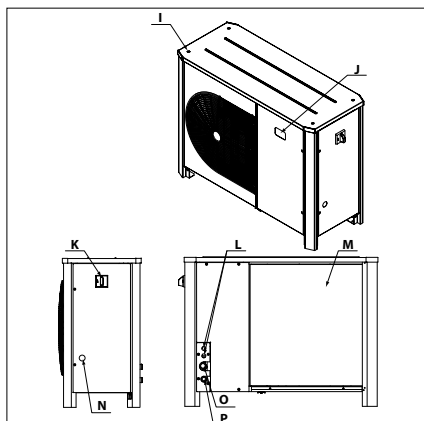
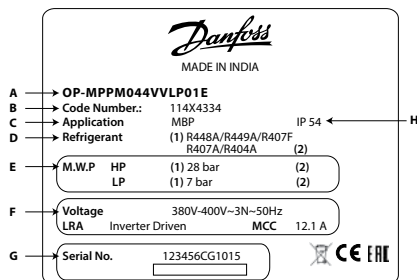
16 – Verwijdering



Danfoss raadt aan koelgroepen en olie te recycleren in en door een erkend bedrijf.

Optyma™ Plus INVERTER

Konekot OP-MPLM, OP-MPPM



- I:** Asennusreiät päällekkäin asennusta varten
J: Elektronisen säätimen näyttö
K: Pääkytkin
L: Kaapelin sisäänmenokohdat
M: Mikrokanalavälämmönsiirrin
N: Nestelasi
O: Imuliitäntä
P: Nesteliitäntä

- A:** Malli
B: Koodinumero
C: Sovellus
D: Kylmäaine
E: Käyttöpaine
F: Syöttöjännite, Suurin virrankulutus (MCC)
G: Sarjanumero ja viivakoodi
H: Suojausluokka



⚠ Koneikkoa saa käyttää vain sille suunnitelluissa käyttökohteissa ja sallituissa käyttöolosuhteissa.

⚠ Kaikissa olosuhteissa on noudatettava SFS-EN 378 -standardin vaatimuksia tai muita voimassa olevia paikallisia turvallisuusmääräyksiä.

Koneikko toimitetaan tyyppikaasulla paineistettuna (paine 1 bar), eikä sitä siksi voi liittää suoraan. Lisätietoja on «asennus»-osiossa.

Koneikkoa on käsiteltävä varoen, ja se on pidettävä pystysuorassa (suurin sallittu poikkeama pystyasennosta: 15°)

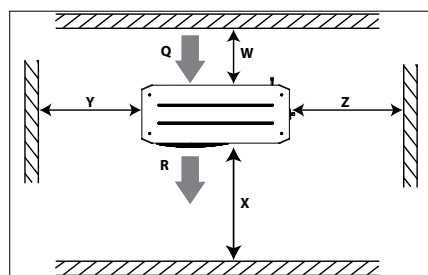
Koneikon kompressoria ei saa kytkeä suoraan verkkovirtaan. Sen saa kytkeä ainoastaan alkuperäisellä Danfoss-taajuusmuuttajalla.



Tämä yksikkö sisältää taajuusmuuttajan ja EMI-suodattimen kondensaattorien kanssa. Kytke ennen huolto- ja asennustöiden aloittamista vaihtovirta pois päältä ja odota vähintään 4 minuuttia, jotta kaikkien sähköosien jännite poistuu kokonaan. Jos et odota määritettyä aikaa virran katkaisemisen jälkeen, seurauksena voi olla kuolema tai vakava vamma.

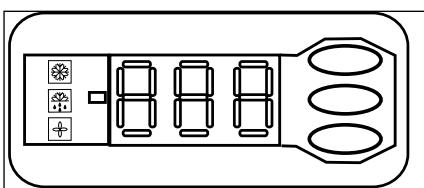


Koneikkoja saavat asentaa ja huoltaa vain valtuutetut ammattilaiset. Noudata näitä ohjeita ja jäähdytysteknikkaa koskevia ammattikäytäntöjä tuotteen asennuksessa, käyttöön-otossa, kunnossapidossa ja huollossa.



Kuva 1: Pienimmät sallitut asennusetäisyydet

Yksikkö	W [mm]	X [mm]	Y [mm]	Z [mm]
Kotelo 3	250	760	581	581



Kuva 2: Elektronisen säätimen näyttö



Kompressori käynnissä



Kampikammion lämmitin päällä



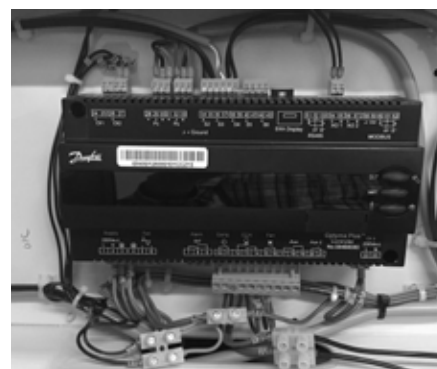
Puhallin päällä



Imupaineen lämpötila. Voit vaihtaa näyttöön lauhtumispuheen lämpötilan painamalla alinta painiketta.



Kuva 3: Normaali johdotus



Kuva 4: Väliaikainen johdotus

Ohjeet

1 – Johdanto

Nämä ohjeet koskevat kylmäjärjestelmissä käytettäviä Optyma™ Plus -koneikkoja OP-MPLM, OP-MPPM. Ohjeet sisältävät riittävät tiedot tuotteen turvallista ja asianmukaista käyttöä varten.

Koneikko sisältää seuraavat komponentit:

- Mikrokanavalämmönsiirrin
- Kierrossäädettävä scroll-kompressori
- Nestesäiliö sulkuventtiilillä
- Öljynerotin
- Palloventtiilit
- Nestelasi
- Korkea- ja matalapainekeytkimet
- Suodatinkuivain
- Elektroninen säädin
- Kompressorin taajuusmuuttaja EMC suodattimella
- Moottorisuojakytkin (ylikuormitusuojalla varustettu pääkytkin)
- Puhaltimen kondensaattorit
- Kompressorin kontaktori
- Vankka säänkestävä kotelo

2 – Käsitteleminen ja säilytys

- Suosittelemme, että avaat yksikön pakkauksen vasta lopullisella asennuspaikalla.
- Käsittele yksikköä varoen. Pakkausta voidaan siirtää haarukkatrukilla ja -vaunulla. Käytä vain asianmukaisia ja turvallisia nostolaitteita.
- Säilytä ja siirrä yksikköä pystyasennossa.
- Säilytä yksikköä -35 – +50 °C:n lämpötilassa.
- Varo altistamasta yksikköä ja pakkausmateriaaleja sateelle tai syövyttävälle olosuhteille.
- Tarkista pakkauksen avaamisen jälkeen, että yksikkö sisältää kaikki komponentit ja että yksikössä ei ole vaurioita.

3 – Asennuksen turvaohjeet

⚠ Älä koskaan käytä yksikköä ympäristössä, jossa on syttymisvaara.

⚠ Sijoita yksikkö niin, että se ei ole kulkureittien, ovien, ikkunoiden tmv. edessä tai haittaa niiden käyttöä muilla tavoin.

- Varmista, että yksikön ympärille jää riittävästi tilaa ilmankiertoa ja luukkujen avaamista varten. Katso pienimmät sallitut etäisyydet siniin kuvasta 1.
- Vältä asentamista yksikköä paikkaan, jossa se altistuu päivittäin pitkiksi ajoiksi suoralle aurin-
gonpaisteelle.
- Vältä asentamista yksikköä syövyttäviin tai pölyisiin tiloihin.
- Varmista, että asennusalusta on vaaka-suora (kaltevuus alle 3°) sekä riittävän vakaa ja tukeva kestämään koko yksikön painon ja estämään tärinän ja muut häiriöt.
- Yksikön ympäristön lämpötila ei saa nousta yli 50 °C:een seisontajaksen aikana.
- Varmista, että virtalähde vastaa yksikön vaatimuksia (katso tyyppikilpi).
- Käytä HFC-kylmäaineita käyttävien yksiköiden asennuksessa varusteita, jotka on nimellisesti tarkoitettu HFC-kylmäaineita varten ja joita ei ole koskaan käytetty CFC- tai HCFC-kylmäaineille.
- Käytä puhtaita ja täysin kuivia kylmäaineluokan kupariputkia ja hopeaseosta kovajuohtoksiin.
- Käytä vain puhtaita ja täysin kuivia komponentteja.
- Kompressoriin kiinnitettävän imuputkiston on oltava joustava kolmeen suuntaan tärinän vaimentamiseksi. Lisäksi putkisto on asennettava

niin, että öljyn paluu kompressoriin on varmistettu ja kompressorin nesteiskun riski on eliminoitu.

4 – Asennus

- Koneikko on asennettava EY:n painelaitedirektiivin (PED) 97/23/EY mukaisesti. Pelkkä koneikko ei ole tässä direktiivissä käsitelty "yksikkö".
- Suosittelemme asentamaan yksikön kumipuslia tai muita tärinänvaimentimia (ei sis. toimitukseen) käyttäen.
- Vapauta hitaasti typpikaasu huoltoventtiilin kautta.
- Kytke yksikkö järjestelmään mahdollisimman pian, jottei öljy saastu ympäristön kosteudesta.
- Varo, ettei järjestelmään joudu vieraita materiaaleja, kun katkaist putkia. Älä koskaan poraa reikiä kohtiin, joista ei voida poistaa purseita.
- Noudata kovajuohtoisia suurta varovaisuutta, käytä uudenaikaista tekniikkaa ja puhdista putkisto typpikaasulla.
- Kytke tarvittavat varo- ja ohjauslaitteet. Jos siihen käytetään huoltoventtiililientää, poista venttiilin sisäosa.
- Suosittelemme eristämään imuputken kompressorin tulon asti 19 mm:n eristyksellä.

5 – Vuotojen tarkistus

⚠ Älä koskaan paineista järjestelmää hapella tai kuivatulla ilmalla. Se voi aiheuttaa tulipalo- tai räjähdysvaaran.

- Älä käytä väriainetta vuotojen etsimiseen.
- Suorita vuotojen tarkistustesti koko järjestelmälle.
- Suurin sallittu testauspaine on 32 bar.
- Kun löydät järjestelmästä vuodon, korjaa vuoto-kohta ja suorita uusi testi.

6 – Tyhjiön muodostaminen

- Älä koskaan käytä kompressoria järjestelmän tyhjiöintiin.
- Kytke tyhjiöpumppu sekä korkea- että matalapainepuolelle.
- Tyhjennä järjestelmä niin, että absoluuttinen paine on alle 500 µm Hg (0,67 mbar).
- Älä käytä megaohmimittaria tai kytke kompressoriin virtaa tyhjiön alaisena, jottei kompressori vaurioituisi.

7 – Sähkökytkennät

- Katkaise virta ja irrota järjestelmä päävirtalähdeestä.
- Varmista, että virtalähde ei voida kytkeä päälle asennuksen aikana.
- Kaikki sähköosat on valittava paikallisten määräysten ja yksikköä koskevien vaatimusten mukaisesti.
- Katso sähkökytkentöjen yksityiskohtaiset tiedot johdotuskaaviosta.
- Varmista, että virtalähde vastaa yksikön tietoja ja että virtalähde on vakaa (nimellisjännite ± 10 % ja nimellistaajuus ± 2,5 Hz).
- Mitoita virransyöttökaapelit yksikön jännite- ja virta-arvojen mukaisesti.
- Huolehdi virtalähteen suojauksesta ja varmista asianmukainen maadoitus.
- Maavuotovirta on yli 3,5 mA. DC-virta voidaan ohjata suojaohjaimen. Jos yksikkö suojaataan suoralta tai epäsuoralta kosketukselta jäännösvirtalaitteella (RCD), tässä yksikössä saa käyttää ainoastaan tyyppin B RCD-laitetta.

- Asenna virtalähde paikallisten määräysten ja muiden vaatimusten mukaisesti.
- Eristetyissä virtalähdejärjestelmissä RFI-kytkin on avattava irrottamalla RFI-ruuvi taajuusmuuttajan vasemmalta puolelta (katso pikaopas MG18Mxxx §1.2.3).
- Koneikko on varustettu elektronisella säätimellä. Katso tarkemmat tiedot ohjeesta RS8GDxxx.
- Yksikössä on ylikuormitusuojalla varustettu pääkytkin. Ylikuormitusuoja on esiasetettu tehtaalla, mutta suosittelemme arvon tarkastamista ennen yksikön käyttöä. Ylikuormitusuojan arvo on esitetty yksikön etuluukussa olevassa johdotuskaaviossa.
- Yksikkö on varustettu korkea- ja matalapainekeytkimillä, jotka aktivoituessaan katkaisevat kompressorin virransyötön välittömästi. Korkea- ja matalapaineen raja-arvoparametrit on esiasetettu säätimeen, ja nämä parametrit on sovitettu yksikön asennetun kompressorin mukaan.
- Koneikko on varustettu kompressorin pyörimisnopeutta säätävällä taajuusmuuttajalla. Kompressori on kytkettävä aina taajuusmuuttajan kautta tämän käyttöoppaan kytkentäkaavion mukaisesti.

Oikea vaihejärjestystä on noudatettava, jotta kompressorin pyörimissuunta on oikea.

- Kompressorin oikea vaihejärjestys varmistetaan käyttämällä taajuusmuuttajaa ja tehtaalla tehtyjä kytkentöjä
- Taajuusmuuttajan ja kompressorin väliset liittännät on kuvattu kytkentäkaaviossa.

8 – Järjestelmän täyttäminen

- Älä koskaan käynnistä kompressoria tyhjiön alaisena. Pidä kompressorin virta katkaistuna.
- Käytä vain sitä kylmäainetta, jolle yksikkö on tarkoitettu.
- Lisää kylmäainetta nestemäisenä lauhduttimeen tai nestesäiliöön. Täytä järjestelmä hitaasti 4–5 baarin paineeseen.
- Täyttöä jatketaan, kunnes järjestelmä toimii vaakaasti normaalin käytön aikana.
- Täyttömäärän on oltava mahdollisimman lähellä järjestelmän nimellistäyttöä, jotta kompressori ei toimi liian matalalla imupaineella ja liian suurella tulistuksella. VLZ028-044-versiossa kylmäaineen maksimi täyttömäärä on 3,6 kg. Jos tämä ylitetään, nesteen takaisinvirtaus kompressoriin on estettävä pumppausjaksolla, joka ei mene alle 2,3 bar(g) kylmäaineella R448A/R449A, 2,3 bar(g) kylmäaineella R407F, 2,3 bar(g) kylmäaineella R407A, 2,3 bar(g) kylmäaineella R404A, tai käyttämällä pisanerotinta.
- Älä koskaan jätä täyttöpulloa kytkettyksi piiriin.

9 – Elektronisen säätimen asetusten asettaminen

- Yksikkö on varustettu elektronisella säätimellä, johon on tehtaalla ohjelmoitu kyseisen yksikön yhteydessä käytettävät parametrit. Katso tarkemmat tiedot ohjeesta RS8GDXXX.
- Elektroninen säädin näyttää oletusarvoisesti imupaineen lämpötilan (°C). Jos haluat näyttöön lauhtumispaineen lämpötilan, paina alemmaa painiketta (kuva 2).

Elektroninen säädin on esiasetettu tehtaalla R449A-kylmäaineen käyttöä varten. Jos käytössä on jokin muu kylmäaine, kylmäaineasetus on vaihdettava. Parametri r12 on ensin asetettava arvoon 0 (ohjelman pääkytkin pois päältä).

- Paina ylemmää painiketta pari sekuntia. Näytöllä näkyy ensimmäinen parametrikoodi.

Ohjeet

- Hae parametrikoodi o30 käyttämällä ylempää ja alemmaa painiketta.
- Paina keskimäistä painiketta, kunnes näytöllä näkyy parametrin arvo.
- Valitse uusi arvo ylempällä tai alemmalla painikkeella: 17 = R507A, 19 = R404A, 21 = R407A, 37 = R407F, 40 = R448A, 41 = R449A.
- Vahvista valittu arvo keskimäisellä painikkeella.
- Palaa parametriin r12 ja vaihda arvoksi 1.
- Määritä tarvittaessa haluttu imupaineen yksikkö (°C/°F) parametriin r23.
- Määritä parametriin c33 tarpeitasi vastaava pumpausjakson arvo.

10 – Ennen käyttöönottoa tehtävät tarkistukset

△ Käytä varolaitteita, kuten turvapainekytkintä ja mekaanista varoventtiiliä, yleisten ja paikallisesti sovellettavien määräysten ja standardien mukaisesti. Varmista, että turvalaitteet ovat toimintakunnossa ja että niiden säädöt ovat oikein.

△ Tarkista, että korkeapainekytkimien ja varoventtiilien asetukset eivät ylitä minkään järjestelmäkomponentin suurinta sallittua käyttöpainetta.

- Tarkista, että kaikki sähkökytkennät on tehty ja kiinnitetty kunnolla paikallisten määräysten mukaisesti.
- Kampikammion lämmitin on kytkettävä päälle vähintään 12 tuntia ennen ensimmäistä käynnistystä ja aina ennen pitkäkestoisen seisontajakson jälkeen tapahtuvaa käynnistystä. Toiminto poistaa nestemäisen kylmäaineen kompressorista. Irrota DI1-pistoke säätimestä, mikä estää kompressorin käynnistymisen. Kytke sitten virta PÄÄLLE pääkytkimestä tämän vaiheen ajaksi.
- Yksikössä on ylikuormitusuojalla varustettu pääkytkin. Ylikuormitusuoja on esiasetettu tehtaalla, mutta suosittelemme arvon tarkistamista ennen yksikön käyttöä. Ylikuormitusuojan arvo on esitetty yksikön etulukuissa olevassa johdotuskaaviossa.

11 – Käynnistys

- Älä koskaan käynnistä yksikköä, jos kylmäainetta ei ole täytetty.
- Kaikkien käyttöventtiilien on oltava avoinna.
- Tarkista yksikön ja virtalähteen yhteensopivuus.
- Tarkista, että kampikammion lämmitin toimii.
- Tarkista, että puhallin pyörii vapaasti.
- Tasaan korkea- ja matalapainepuolen paineet.
- Kytke yksikköön jännite. Kompressorin pitäisi käynnistyä välittömästi. Jos kompressorin ei käynnisty, tarkista johtimien kytkentöjen oikeellisuus ja liittimien jännite.
- Kolmivaiheisen kompressorin vääriin suuntaan pyöriminen voidaan tunnistaa seuraavista merkeistä: kompressorin ei nosta painetta, sen käyntiäänä on normaalia kovempi ja virrankulutus normaalia pienempi. Jos kompressorin pyörii vääriin suuntaan, sammuta koneikko heti ja kytke vaiheet oikeisiin liittimiin.
- Jos pyörimissuunta on oikea, säätimen (tai matalapainemittarin) osoittaman matalapaineen arvon tulee alentua ja säätimen (tai korkeapainemittarin) osoittaman korkeapaineen arvon tulee kasvaa.

12 – Käynnissä olevaa yksikköä koskevat tarkistukset

- Tarkista puhaltimen pyörimissuunta. Ilman virtaussuunnan on oltava lauhduttimesta puhallinta kohti.

- Tarkista virranotto ja jännite.
 - Pienennä nesteiskujen vaaraa tarkistamalla imuhöyryn tulistus.
 - Kompressorin optimaalinen imukaasun tulistus on noin 6 K. Suurin sallittu tulistus on 30 K.
- Tarkista öljymäärä käynnistyksessä ja varmista käytön aikana, että öljyn pinta näkyy tarkastuslasista. Jos öljyn pinta vaahtoa liikaa öljyntarkastuslasista katsottuna, kylmäainetta on päässyt öljytilaan.
- Tarkkaile öljyntarkastuslasia 1 tunnin ajan järjestelmän tasapainotilan jälkeen varmistaaksesi, että öljyä palaa riittävästi takaisin kompressorin. Tämä öljyn tarkastus on tehtävä koko nopeusalueella. Varmista seuraavat asiat:
 - öljyä virtaa riittävästi takaisin pienellä pyörimisnopeudella, kun kaasun nopeus on mahdollisimman pieni.
 - öljyä virtaa riittävästi suurella pyörimisnopeudella, kun öljyn liikkuvuus on mahdollisimman suuri.

- Tarkista öljyn pinnankorkeus nestelasista käynnistettäessä sekä käytön aikana ja varmista, että pinta pysyy näkyvissä öljyä lisäämällä.
- Varmista, että koneisto toimii sallitulla käyttöalueella.
- Tarkista kaikki putket poikkeavan tärinän varalta. Yli 1,5 mm:n liike edellyttää korjaavia toimia, kuten putkikiinnikkeitä.
- Nestemäistä kylmäainetta voidaan tarvittaessa lisätä matalapainepuolelle mahdollisimman kauas kompressorista. Kompressorin on tällöin oltava käynnissä.
- Älä ylitä järjestelmää.
- Älä koskaan vapauta kylmäainetta ilmakehään.
- Tee ennen asennuspaikalta poistumista yleinen siisteyttä, melua ja vuotoja koskeva tarkistus.
- Kirjaa kylmäaineen tyyppi ja täytös sekä käyttöolosuhteet muistiin myöhempiä huoltokäyntejä varten.

Kompressorin ei kehity painetta: Tarkista, ettei yksikön järjestelmän ohitusventtiileistä ole auki. Tarkista myös, että kaikki magneettiventtiilit ovat oikeassa asennossa.

- Epätavallinen käyntiäänä: Varmista, ettei neste virtaa takaisin kompressorin: mittaa palaavan kaasun tulistus ja kompressorin öljytilan lämpötila. Vakaisissa käyttöolosuhteissa öljytilan lämpötila tulisi olla ainakin 6 K kylmäainetta suurempi.
- Ylipainekytkin laukeaa: Tarkista lauhduttimen toiminnat (lauhduttimen puhtaus, puhaltimen toiminta, veden virtaus ja vesiventtiili, vedensuodatin jne.). Jos kaikki ovat kunnossa, ongelma voi johtua joko kylmäaineen ylitäytöstä tai siitä, että piirissä on lauhdumatonta ainetta (kuten ilmaa tai kosteutta).
- Alipainekytkin laukeaa: Tarkista höyrytimen toiminnat (kennon puhtaus, puhaltimen toiminnat, veden virtaus, vedensuodatin jne.), nestemäisen kylmäaineen virtaus ja painehäviöt (magneettiventtiili, suodatinpuhalletin, paisuntaventtiili jne.) sekä kylmäaineen määrä.
- Liian vähän kylmäainetta: Kylmäaineen oikea täyttömäärä näkyy nestelasista. Täyttömäärä valitaan esimerkiksi lauhduttimen lämpötilan ja kylmäaineen painetaulukoiden suhteen (paine-lämpötila) sekä tulistuksen ja alijäähtymisen perusteella (ks. osio 8, jos kylmäainetta on lisättävä).

13 – Hätkäkäyttö ilman säädintä

Koneikkoa voidaan käyttää myös säätimen vikatilanteessa, jos normaali johdotus (kytkentäkaavio 1) muutetaan alla esitetyllä tavalla väliaikaiseksi johdotukseksi (kytkentäkaavio 2).

- △ Muutoksen saa tehdä vain pätevä sähköasentaja. Maan lainsäädännön määräyksiä on noudatettava.
- △ Kytke koneikko irti virtalähteestä (käännä laitteiston pääkytkin pois päältä).
- Huonetermostaatin koskettimen on pystyttävä kytkemään 250 V AC.
- Irrota johdin 22 (turvatoiminnon tulo DI3) ja johdin 6 (puhaltimen syöttö) ja liitä ne toisiinsa. Puhaltimen painekytkin (esim. KP5) tai puhaltimen nopeudensäädin (esim. XGE) voidaan kytkeä sarjaan johtimeen 6.
- Irrota johdin 10 (taajuusmuuttajan käynnistys) ja johdin 24 (huonetermostaatti) ja liitä ne toisiinsa.
- Irrota johdin 11 (taajuusmuuttajan käynnistys) ja johdin 25 (huonetermostaatti) ja liitä ne toisiinsa.
- Irrota johdin 53 ja johdin 55 taajuusmuuttajan liittimistä ja kytke ne 10 000 ohmin potentiometriin alla kuvatulla tavalla:
 - johdin 1 taajuusmuuttajan liittimeen 55
 - johdin 2 taajuusmuuttajan liittimeen 53
 - johdin 3 taajuusmuuttajan liittimeen 50
- Käännä potentiometrin nuppi keskiasentoon, joka vastaa noin nopeutta 50 kierr./s kompressorissa
- Irrota johdin 14 (kampikammion lämmitin) ja kytke se kompressorin kontaktoriin 22.
- Irrota johdin 12 (kampikammion lämmittimen syöttö), pidennä sitä riviliittimellä (250 V AC 10 mm²) ja 1,0 mm²:n ruskealla johdolla ja kytke se kompressorin kontaktoriin 21.
- Irrota suuri riviliitin säätimen liittimistä 10–19.
- Kytke koneikko virtalähteeseen (käännä laitteiston pääkytkin päälle).
- Säädä haluttu nopeus potentiometrillä.
- Vaihda säädin mahdollisimman pian.

14 – Kunnossapito

△ Katkaise virta aina pääkytkimellä ja odota 4 minuuttia (kondensaattorin purkautumisaika) ennen puhaltimen luukun avaamista. Sähköiskuvaara. Vaikka virta on katkaistu pääkytkimellä, pääkytkimen liittimissä on silti jännite. Tämä on huomioitava huoltotöiden yhteydessä.

△ Sisäinen paine ja pintalämpötila nousevat vaarallisen korkeiksi ja voivat aiheuttaa pysyviä vammoja. Huolto- ja asennushenkilöstöllä on oltava asianmukainen ammattitaito ja tarvittavat työkalut. Putkiston lämpötila voi ylittää 100 °C ja aiheuttaa vakavia palovammoja.

△ Varmista, että järjestelmän luotettavan toiminnan takaavat määräaikaistarkistukset suoritetaan paikallisten määräysten mukaisesti.

Jotta vältetään järjestelmään liittyvät ongelmat, seuraavat määräaikaistarkistukset ovat suositeltavia:

- Varmista, että turvalaitteet ovat toimintakunnossa ja että niiden säädöt ovat oikein.
- Tarkista, ettei järjestelmässä ole vuotoja.
- Tarkistakompressorin öljymäärä.
- Tarkista kompressorin virranotto.
- Tarkista, että järjestelmä toimii aiempien huoltokirjausten ja ympäristöolosuhteiden mukaisesti.
- Tarkista, että kaikki sähköliitokset ovat edelleen vahingoittumattomia.
- Pidä yksikkö puhtaana ja tarkista, ettei yksikön komponenteissa, putkistossa tai sähköliitoksissa ilmene ruostetta tai hapettumia.

Lauhdutin on tarkistettava vähintään kerran vuodessa tukkeumien varalta ja puhdistettava tarvittaessa. Lauhduttimen sisäpuoleen päästään käsiksi puhaltimen luukun kautta. Mikrokanava-

Ohjeet

kennoissa lika pyrkii kerääntymään pinnalle eikä niinkään sisäpuolelle, minkä ansiosta ne ovat riipaputkikennoja helpompia puhdistaa.

- Varmista sitä ennen, että nesteputken magneettiventtiili on kiinni ja mahdolliset höyrystinpuhaltimet eivät pyöri.
- Puhdista pinnat lehdistä, kuiduista ja muusta liasta pölynimurilla, jossa on harjasuulake tai muu sopivan pehmeä suulake. Vaihtoehtoisesti voit puhalttaa paineilmaa kennon läpi sisältä ulospäin ja harjata kennoa pehmeällä harjalla. Älä käytä teräsharjaa. Älä iske tai raavi kennoa imurin suulakkeella tai puhdistuspistoolin suuttimella.

Jos kylmäainejärjestelmä on avattu, järjestelmästä on poistettava kosteus huuhtelemalla se kuivatulla ilmalla tai typellä ja lisäksi suodatinkuivain on vaihdettava. Jos kylmäaine on tyhjennettävä, se on tehtävä niin, että kaikki kylmäaine otetaan talteen.

15 – Takuu

Ilmoita aina malli- ja sarjanumero, kun jätät tuotetta koskevan korvausvaateen.

Tuotteen takuu saattaa raueta seuraavissa tapauksissa:

- Tyypikkilpi puuttuu.
- Tuotteeseen on tehty tai siinä on havaittavissa ulkoisia muutoksia, etenkin poraus, juottaminen, rikkoutuneet jalat ja kolhut.
- Kompressorin avattu tai palautettu liitännäputket avoinna.

- Kompressorin sisällä on ruostetta, vettä tai vuotojen tarkistamisessa käytettävää väriainetta.
- Tuotteessa on käytetty muuta kuin Danfossin hyväksymää kylmäainetta tai voiteluainetta.
- Asennus-, käyttö- tai huolto-ohjeiden noudattaminen on jollakin tavalla laiminlyöty.
- Tuotetta on käytetty liikkuvissa sovelluksissa.
- Tuotetta on käytetty ympäristössä, jossa on räjähdysvaara.
- Takuuvaateen yhteydessä ei ole ilmoitettu mallinumeroa tai sarjanumeroa.

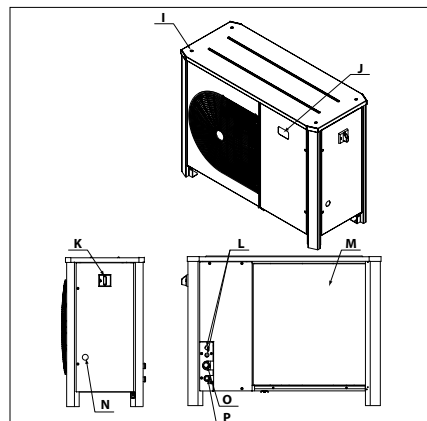
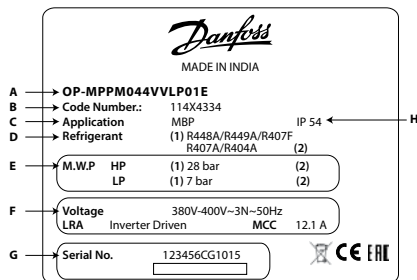
16 – Hävittäminen



Danfoss suosittelee, että koneikkojen ja öljyjen kierrätys annetaan asianmukaisen yrityksen tehtäväksi.

Optyma™ PLUS INVERTER

Kondensingsenheter OP-MPLM, OP-MPPM



- A: Modell
- B: Kodenr.
- C: Bruksområde
- D: Kjølemiddel
- E: Servicetrykk, kapsling
- F: Matespenning, maksimalt strømforbruk
- G: Serienummer og strekkode
- H: Beskyttelse

- I: Montasjehull for stabled montering
- J: Display elektronisk styringsenhet
- K: Hovedbryter
- L: Kabelinnføringer
- M: Mikrokanal-varmeveksler
- N: Seglass
- O: Sugeåpning
- P: Væskeåpning



⚠ Kondenseringsaggregatene må kun brukes til sitt tiltenkte formål og innenfor sitt bruksområde.

⚠ EN378 (eller andre relevante lokale sikkerhetsbestemmelser) må oppfylles til enhver tid.

Kondenseringsaggregatet leveres med nitrogenstrykk (1 bar), og kan derfor ikke kobles til slik den er. Se «installasjon» for ytterligere detaljer.

Kondenseringsaggregatet må håndteres med forsiktighet i vertikal stilling (maksimal avvik fra vertikal stilling: 15°)

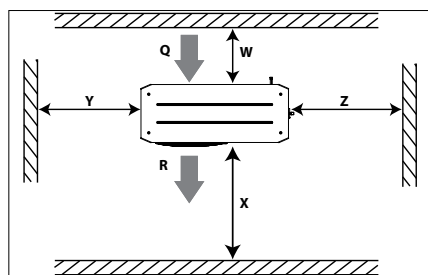
Kompressoren for kondensingsenheten kan ikke kobles direkte til nettverket, men bare via den originale drivenheten fra Danfoss.



Enheten består av en frekvensomformer og EMI-filtre med kondensatorer. Koble fra strømforsyningen og vent minst 4 minutter for å gjøre alle elektriske deler strømløse før døren åpnes for service- eller reparasjonsarbeid. Hvis ventetiden ikke overholdes etter at strømmen er koblet fra, kan det føre til dødsfall eller alvorlig personskade.



Installasjon og service av kondensatorer må kun utføres av kvalifisert personell. Følg disse instruksjonene og god praksis for installasjon, idriftsettelse, vedlikehold og service av kjøleanlegg.

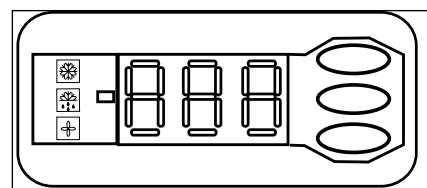


Bilde 1: Minimum montasjeavstander

Q: Luft inn

R: Luft ut

Enhet	W [mm]	X [mm]	Y [mm]	Z [mm]
Kapsling 3	250	760	581	581



Bilde 2: Display elektronisk styringsenhet



Kompressor går



Veivhusvarme på



Vifte går



Temperaturverdi for suetrykk. Trykk den nederste knappen for å endre til visning for kondenseringstrykk



Bilde 3: Normal kabling



Bilde 4: Midlertidig kabling

Instruksjoner

1 – Innledning

Disse instruksjonene gjelder Optyma™ Plus kondensersaggregatene OP-MPLM, OP-MPPM brukt i kjøleanlegg. De inneholder nødvendig informasjon om riktig og sikker bruk av dette produktet.

Kondensatoren omfatter følgende:

- Mikrokanal varmeveksler
- Kompressor for variabel hastighet
- Receiver med stengeventil
- Oljeutskiller
- Kuleventiler
- Seglass
- Høy- og lavtrykksbrytere
- Tørrefilter
- Elektronisk styreenhet
- Kompressor drivenhet med EMC-filer
- Effektbryter (Hovedbryter med overbelastningsvern)
- Vifte kondensator
- Kompressor kontaktor
- Kontaktor Kompressor

2 – Håndtering og lagring

- Det anbefales at man ikke åpner pakken før den er bragt til installasjonsstedet.
- Håndter enheten med forsiktighet. Pakken kan flyttes med gaffeltruck eller jekktralle. Bruk riktig og sikkert løfteutstyr.
- Oppbevar og transporter enheten i stående stilling.
- Oppbevar enheten mellom -35°C og 50°C.
- Ikke utsett pakken for regn eller korrosiv atmosfære.
- Sjekk at enheten er komplett og uskadet etter at den er pakket ut.

3 – Forsiktighetsregler ved installasjon

⚠ Plasser aldri enheten i brennbar atmosfære
 ⚠ Plasser enheten slik at den ikke blokkerer eller hindrer passasje, dører, vinduer eller lignende.

- Sørg for tilstrekkelig plass rundt enheten slik at luften kan sirkulere og dører kan åpnes. Se bilde 1 for minimumsverdier for avstand til vegger.
- Unngå å installere enheten på steder hvor den daglig utsettes for direkte sollys over lengre tid.
- Unngå å installere enheten i aggressive eller støvete miljøer.
- Sørg for at fundamentet (som må ha mindre enn 3° helning), er kraftig og stabilt nok til bære hele vekten og til å eliminere vibrasjoner og støy.
- Enhetens omgivelsestemperatur må ikke overskride 50°C når den står.
- Forsikre deg om at strømtilførselen stemmer med spesifikasjonene til enheten (se merkeskiltet).
- Når man installerer enheter beregnet på HFC-kjølemidler, skal man bruke utstyr som er spesielt beregnet på HFC-kjølemidler, og som aldri er brukt til CFC- eller HCFC-kjølemidler.
- Bruk rene og tørre kobberør beregnet på kjølemidler, samt slaglodding i sølvlegering.
- Bruk rene og tørre systemkomponenter.
- Sugerørene tilkoblet kompressoren må være tilgjengelige i 3 akser for å dempe vibrasjoner. I tillegg må røranlegget utføres på en slik måte at oljereturen til kompressoren er sikret, og at faren for at væsken renner tilbake og forårsaker væskeslag i kompressoren er eliminert.

4 – Installasjon

- Anlegget som kondensersingenheten er installert i, må oppfylle EU trykkdirektiv (PED) no. 97/23/EC. Selve kondensersingenheten er i seg selv ikke en "enhet" i betydningen dette direktivet bruker.
- Det anbefales at man installerer enheten på gummiklosser eller vibrasjonsdempere (ikke inkludert).
- Frigjør nitrogentrykket sakte gjennom schrader-porten.
- Koble enheten til systemet så snart som mulig for å unngå oljeforurensing fra omgivelsesfukt.
- Unngå at det trenger materiale inn i systemet når man kutter rør. Bor aldri hull hvis det ikke er mulig å fjerne grader.
- Lodd med største forsiktighet. Bruk riktig teknikk, og ventiler rørene med nitrogengass.
- Koble til nødvendige sikkerhets- og styreenheter. Når man bruker schrader-porten til dette, fjerner man den innebygde ventilen.
- Det anbefales å isolere sugerøret opp til inntaket på kompressoren med 19 mm tykk isolasjon.

5 – Lekkasjedeteksjon

⚠ Trykksett kretsen aldri med oksygen eller tørr luft. Dette kan føre til brann eller eksplosjon.

- Ikke bruk fargestoff til lekkasjedeteksjon
- Utfør lekkasjedeteksjonstest på hele systemet
- Maksimalt testtrykk er 32 bar.
- Når man oppdager en lekkasje, må man reparere lekkasjen og gjenta lekkasjedeteksjonen.

6 – Vakuum

- Bruk aldri kompressor til å evakuere systemet.
- Koble en vakuumpumpe til både LP- & HP-side-ne.
- Trekk ned systemet til under et vakuum på 500 µm Hg (0,67 mbar) absolutt trykk.
- Ikke bruk megohmmeter eller sett strøm på kompressoren når den står under vakuum, da den kan bli skadet innvendig.

7 – Elektriske tilkoblinger

- Slå av og koble fra hovedstrømtilførselen.
- Forsikre deg om at strømtilførselen ikke kan slås på under installasjon.
- Alle elektriske komponenter må velges iht. lokale standarder og krav til elektrisk utstyr.
- Se kablingsskjema for informasjon om elektriske tilkoblinger.
- Forsikre deg om at strømtilførselen oppfyller spesifikasjonene til enheten og at strømtilførselen er stabil (merkespenning ±10% og merkefrekvens ±2,5 Hz)
- Dimensjoner strømforsyningskablene iht. enhetens spesifikasjoner for strøm og spenning.
- Beskytt strømtilførselen og forsikre deg om at jordingen er riktig utført.
- Krypstrøm til jord overskrider 3,5 mA. DC-strøm kan leveres til beskyttelsesleder. Når en reststrømenhet (RCD) brukes for beskyttelse i tilfelle direkte eller indirekte kontakt, er det bare tillatt å bruke en RCD type B på tilførselssiden av dette produktet.
- Utfør strømtilførselen i henhold til lokale standarder og lovmessige krav
- For IT-strømforsyningsystemer, åpne RFI-bryteren ved å fjerne RFI-skruen på venstre side av frekvensomformereren (se hurtigveiledning MG-18Mxxx §1.2.3).

- Enheten er utstyrt med en elektronisk styreenhet. Se håndbok RS8GDxxx for mer informasjon.
- Enheten er utstyrt med hovedbryter med overspenningsvern. Overspenningsvernet er forhåndsinnstilt fra fabrikk, men det anbefales at man sjekker verdien før man setter i drift enheten. Verdien for overspenningsvernet finnes i kablingsskjemaet i framdøren til enheten.
- Enheten er utstyrt med høy- og lavtrykksbrytere, som kutter strømtilførselen til kompressoren direkte hvis de utløses. Parametrene for utkutting ved høyt og lavt trykk er forhåndsinnstilt i styreenheten, tilpasset kompressoren som sitter i enheten.
- Enheten er utstyrt med kompressor drivenhet for hastighetsregulering. Det er påbudt å koble kompressoren via drivenheten som vist på WD i denne veiledningen.

Korrekt fasesekvens for rotasjonsretningen for kompressoren må observeres.

- korrekt tilførsel av fasefrekvens for kompressoren er sikret fra frekvensomformereren og fabrikkviklingen
- tilkoblinger fra frekvensomformereren til kompressorklemmene vises i koblings skjemaet

8 – Fylle systemet

- Start aldri kompressoren med vakuum. Hold kompressoren avslått.
- Bruk kun kjølemiddel som er beregnet for enheten.
- Fyll kjølemiddel i væskeform på kondensatoren eller væskebeholderen. Sikre langsom fylling av systemet til 4-5 bar.
- Resten av ladingen gjøres når installasjonen har nådd stabil tilstand under drift.
- Ladingen må være så nært som mulig til nominell fylling for å unngå lavt driftstrykk og stor overheting. For VLZ028-044 er påfyllingsgrensen for kjølemidlet 3,6 kg. Over denne grensen; beskytt kompressoren mot tilbakestrømning av væske med bruk av pump-down som ikke er lavere enn 2,3 bar (g) for R448A/R449A / 2,3 bar (g) for R407F / 2,3 bar (g) for R407A / 2,3 bar (g) for R404A eller ved bruk av akkumulator på sugerøret.
- La aldri fylleflasken stå tilkoblet kretsen.

9 – Stille inn den elektroniske styringenheten

- Enheten er utstyrt med elektronisk styringenhet som er programmert fra fabrikk med parametre for bruk sammen med enheten. Se håndbok RS8GDXXX for mer informasjon.
 - Som standard viser den elektroniske styringenheten temperaturene for sugetrykket i °C. For å vise temperaturen på kondensersetrykket, trykker du den nederste knappen (bilde 2)
- Den elektroniske styreenheten er fabrikkinnstilt for bruk med kjølemiddel R449A. Hvis det brukes et annet kjølemiddel, må innstilling for kjølemiddel endres. Parameter r12 må stilles til 0 først (programvare hovedbryter = av).
- Trykk på den øverste knappen i noen sekunder. Den første parameterkoden vises.
 - Trykk på den øverste eller nederste knappen for å finne parameterkode o30.
 - Trykk på den midterste knappen til verdien for denne parameteren vises.

Instruksjoner

- Trykk på den øverste og nederste knappen for å velge nye verdi: 17 = R507A, 19 = R404A, 21=R407A, 37=R407F, 40=R448A, 41=R449A.
- Trykk på den midterste knappen for å bekrefte den valgte verdien.
- Gå tilbake til parameter parameter r12 og endre det til 1.
- Hvis det er nødvendig, endrer du parameter r23 til ønsket sugetrykk (°C/°F).
- Endre parameter c33 for pump-down verdi i henhold til dine behov.

10 – Verifisering før idriftsettelse

△ Bruk sikkerhetsenheter som sikkerhetstrykkbryter og mekanisk avlastningsventil som er i samsvar med både generelle og lokale bestemmelser og sikkerhetsregler. Forsikre deg om at de fungerer og er riktig innstilt.

△ Sjekk at innstillingene av høytrykksbrytere og avlastningsventiler ikke overstiger maksimalt servicestrykk til noen systemkomponent.

- Verifiser at alle elektriske tilkoblinger er skikkelig festet og i samsvar med lokale bestemmelser.
- Veivhusvarmeren må aktiveres minst 12 timer før første innledende oppstart og oppstart etter lengre stillstand for å fjerne kjølemiddelet i væskeform fra kompressoren. Fjern D11-pluggen fra styreenheten for å unngå at kompressoren starter, og slå PÅ hovedbryteren i denne perioden.
- Enheten er utstyrt med hovedbryter med overspenningsvern. Overspenningsvernet er forhåndsinnstilt fra fabrikk, men det anbefales at man sjekker verdien før man setter i drift enheten. Innstilt verdi for overspenningsvern finnes i kablingsskjemaet i frontdøren.

11 – Oppstart

- Start aldri enheten uten at kjølemiddel er fylt på.
- Alle serviceventiler må stå i åpen stilling.
- Sjekk samsvar mellom enheten og strømtilførselen.
- Sjekk av veivhusvarmeren fungerer.
- Sjekk at viften dreier fritt.
- Balanser HP/LP-trykket.
- Sett spenning på enheten. Den skal starte umiddelbart. Hvis kompressoren ikke starter, kontrollerer man kablingen og at det står spenning på klemmene.
- Motsatt rotasjon for den trefasede kompressoren påvises fra styreenheten, og kan påvises på følgende måte: kompressoren bygger ikke opp trykk, den har unormalt høyt lydnivå og unormalt lavt strømnivå. I slike tilfeller må man øyeblikkelig slå av enheten og koble fasene til de riktige klemmene.
- Hvis dreieretningen er riktig, skal lavtrykksindikeringen på styringsenheten (eller lavtrykksmanometeret) vise fallende trykk, og høytrykksindikeringen (eller høytrykksmanometeret) skal vise økende trykk.

12 – Sjekk av enhet i drift

- Sjekk viftens dreieretning. Luftstrømmen fra kondensatoren skal strømme mot viften.
- Sjekk strømtrekk og spenning.
- Sjekk overoppheting av suget for å redusere faren for støtvis innsuging.
- Optimal overheting for kompressorinntak er cirka 6K. Maksimal tillatt overheting er 30K.

Kontroller oljenivået ved start og under drift for å bekrefte at oljenivået er synlig. Betydelig skumming i oljenivåglasset angir at det er kjølemiddel i bunnpannen.

- Overvåk oljenivåglasset i én time etter stabil drift for å sikre riktig oljeretur til kompressoren. Kontroll av oljen må utføres i alle hastighetsområder for å garantere:
 - - god oljeretur ved lav hastighet med minimum gasshastighet.
 - - god oljehåndtering ved høy hastighet med maksimal oljeoverføring.
- Når seglass finnes sjekker man oljenivået ved start og under drift for å bekrefte at oljenivået er synlig.
- Overhold driftsgrensene.
- Sjekk om rør vibrerer unormalt mye. Bevegelser over 1,5 mm krever korleksjon, som f.eks. montering av klammer.
- Ved behov kan ekstra kjølemiddel i væskefase etterfylles på lavtrykksiden så langt unna kompressoren som mulig. Kompressoren må være i drift når dette gjøres.
- Ikke overfyll systemet.
- Slipp aldri kjølemiddel ut i atmosfæren.
- Før man forlater anlegget skal man gjennomføre en generell inspeksjon med tanke på renhet, støy og lekkasje.
- Type registrering og mengde kjølemiddel samt driftsbetingelser som referanse for framtidige inspeksjoner.

Kompressoren bygger ikke opp trykk: Kontroller alle overløpsventilene i systemet for å sikre at ingen er åpnet. Kontroller også at alle magnetventilene er i riktig posisjon.

- Unormal støy ved drift: Kontroller at det ikke er tilbakestrømning av væske til kompressoren ved å måle overheting av returgass og temperaturen i bunnpannen til kompressoren. Temperaturen i bunnpannen må være minst 6K over mettet innsugningstemperatur under stabile driftsforhold.
- Hp-pressostaten slår seg ut: Kontroller drift av kondensatoren (kondensatoren er rengjort, drift av vifte, vannfyll og vanntrykkventil, vannfilter osv.). Hvis alt dette er i orden, kan problemet enten være på grunn av overfylling av kjølemiddel eller at det finnes et medium som ikke kondenseres (f.eks. luft eller fuktighet) i kretsen.
- LP-pressostaten slår seg ut: Kontroller drift av fordampere (coilen er rengjort, drift av vifte, vannfyll, vannfilter, osv.), flyten av flytende kjølemiddel og trykkfall (magnetventil, filtertørrer, ekspansjonsventil, osv.), fylling av kjølemiddel.
- Lavt kjølemiddelnivå: Korrekt kjølemiddelnivå vises i nivåglasset for kjølemiddelet, kondensator delta T i relasjon til trykktabellene for kjølemiddelet (trykktemperatur), overheting og underkjøling, osv. (hvis ytterligere påfylling er nødvendig, se avsnitt 8).

13 – Nøddrift uten styringsenhet

Ved feil på styreenheten, kan kondensatorenheten fortsatt drives når styreenhetens standardkabling (WD 1) endres til en midlertidig kabling (WD 2) som beskrevet nedenfor.

△ Denne endringen må kun utføres av godkjente elektrikere. Det enkelte lands lovgivning skal følges.

- △ Koble kondensatoren fra strømtilførselen (slå av hovedbryteren)
- Kontakten til romtermostaten skal kunne koble 250VAC.

- Fjern ledning 22 (sikkerhetsinngang D13) og ledning 6 (vifteforsyning) og fest dem sammen. En viftetrykkbryter (f.eks. KP5) eller viftehastighetsregulator (f.eks. XGE) kan kobles i serie til ledning 6.
- Fjern ledning 10 (driftstart) og ledning 24 (romtermostat) og fest dem sammen
- Fjern ledning 11 (driftstart) og ledning 25 (romtermostat) og fest dem sammen
- Fjern ledning 53 og 55 fra driftsklemmene og koble til et 10kOhm potensiometer som vist nedenfor:
- ledning 1 til driftsklemme 55
- ledning 2 til driftsklemme 53
- ledning 3 til driftsklemme 50
- Vri knappen på potensiometeret til midtstilling, noe som tilsvarer en kompressorhastighet på cirka 50 o/sek
- Ta ut ledning 14 (veivhusvarmer) og koble den til kompressorkontaktorklemme 22.
- Ta ut ledning 12 (strømforsyning til veivhusvarmer), utvid denne tråden med en 250 V AC 10 mm² klemmebro og 1,0 mm² brun kabel og koble den til kompressorkontaktorklemme 21
- Fjern den store klemmeblokken fra klemmene 10 til 19 på styringsenheten.
- Koble kondensatoren til strømtilførselen (slå på hovedbryteren)
- Juster potensiometeret til ønsket hastighet.
- Skift ut styreenheten så raskt som mulig.

14 – Vedlikehold

△ Slå alltid av enheten med hovedbryteren før du åpner viftedøren (s).

△ Innvendige trykk og overflatetemperature er farlige og kan forårsake permanente personskader. Vedlikeholdsoperatører og installatører må ha nødvendig opplæring og verktøy. Rørtemperaturer kan overskride 100°C og kan føre til alvorlige brannskader.

△ Sørg for periodiske serviceinspeksjoner for å sikre at systemet er pålitelig og i forskriftsmessig stand.

For å unngå problemer med systemet anbefales følgende periodisk vedlikehold:

- Forsikre deg om at sikkerhetsautomatikk fungerer og er riktig innstilt.
- Forsikre deg om at systemet er lekkasjetett.
- Sjekk strømtrekk til kompressoren.
- Bekreft at systemet i henhold til tidligere vedlikeholdslogger og omgivelsesbetingelser.
- Sjekk at alle elektriske tilkoblinger er skikkelig festet.
- Hold enheten ren og fri for rust og oksidering på komponenter, rør og elektriske tilkoblinger.

Kondensatoren må sjekkes minst en gang i året med tanke på tilstopping, og den må rengjøres ved behov. Tilgang til kondensatorens innside skjer gjennom viftedøren. Mikrokanal-spoler har en tendens til å samle opp skitt på overflaten, og ikke på innsiden, noe som gjør dem enklere å rengjøre enn finne- og rørspoler.

- Slå alltid av enheten med hovedbryteren før du åpner viftedøren.
- Fjern overflateskitt, løv, fibere etc. med støvsuger utstyrt med børste eller annet mykt sugemunnstykke. Alternativ blåser man rent med trykkluft gjennom spolen fra innsiden og ut, og børster med en myk børste. Ikke bruk trådbørste. Ikke slå eller skrap på spolen med støvsugerrøret eller munnstykket.

Instruksjoner

Hvis kjølesystemet er åpnet, må systemet blåses med nitrogen for å fjerne fuktighet, og en nytt tørre-filter må monteres. Hvis kjølemiddelet må evakueres, skal dette skje på en måte som hindrer at det slippes ut kjølemiddel til atmosfæren.

15 - Garanti

Oppgi alltid modellnummer og serienummer når man innleverer garantikrav for dette produktet. Produktgarantien kan bli opphevet i følgende tilfeller:

- Merkeskiltet mangler.
- Eksterne modifikasjoner, og spesielt boring, sveising, brukne føtter og slagmerker.
- Kompressoren er åpne eller returnert uforseglet.
- Rust, vann eller lekkasjedeteksjonsfarge inne i kompressoren.
- Bruk av kjølemiddel eller smøring som ikke er godkjent av Danfoss.
- Avvik fra anbefalte instruksjoner når det gjelder installasjon, bruk eller vedlikehold.

- Bruk i mobile anvendelser.
- Bruk i eksplosive miljøer.
- Intet modellnummer eller serienummer sendt inn sammen med garantikravet.

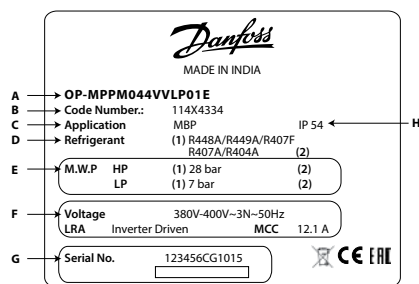
16 – Avhending



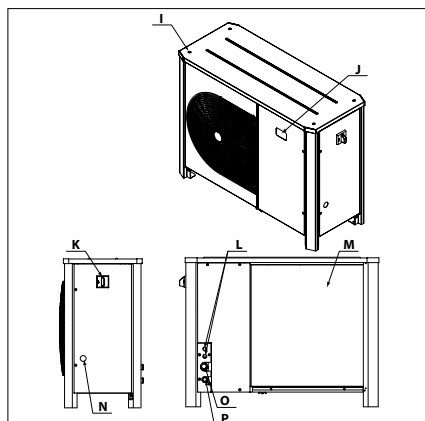
Danfoss anbefaler at både olje og kondensersaggragatet leveres til godkjent mottak.

Optyma™ PLUS INVERTER

Agregaty Skraplające OP-MPLM, OP-MPPM



- A: Model
- B: Numer katalogowy
- C: Zastosowanie
- D: Czynnik chłodniczy
- E: Maksymalne ciśnienie robocze
- F: Napięcie zasilania, maksymalny prąd pracy
- G: Numer seryjny i kod kreskowy
- H: Stopień ochrony



- I: Otwory montażowe do montażu spięzonego
- J: Wyświetlacz regulatora elektronicznego
- K: Wyłącznik główny
- L: Otwory na kable
- M: Mikrokanałowy wymiennik ciepła
- N: Wziernik
- O: Króciec ssawny
- P: Króciec cieczowy



⚠ Agregat skraplający należy używać wyłącznie do celów zgodnych z przeznaczeniem oraz w zakresie przewidzianych dla niego zastosowań.

⚠ Niezależnie od okoliczności należy bezwzględnie przestrzegać wymogów normy EN378 (lub innych obowiązujących krajowych przepisów bezpieczeństwa).

Dostarczany agregat skraplający jest napełniony azotem (o ciśnieniu 1 bara), dlatego nie należy go podłączać w takim stanie; należy zapoznać się z dodatkowymi informacjami podanymi w części «montaż».

Zachować ostrożność podczas transportu agregatu skraplającego i nie odchylać go od pionu (maksymalne dopuszczalne odchylenie od pionu: 15°)

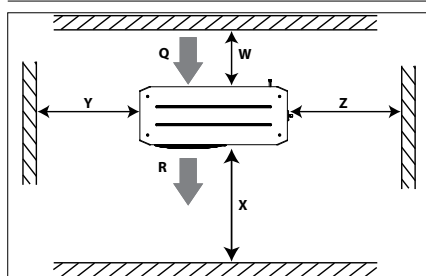
Sprężarka agregatu skraplającego nie może być w żadnym wypadku podłączona bezpośrednio do sieci. Powinna być podłączona za pośrednictwem oryginalnego napędu firmy Danfoss.



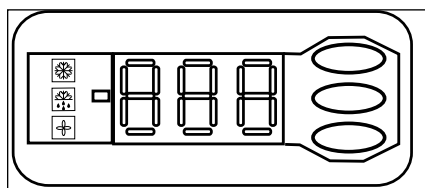
Urządzenie to wyposażone jest w przetwornicę częstotliwości oraz filtr EMI z kondensatorami. Przed otwarciem drzwi w celu wykonania jakichkolwiek prac serwisowych lub naprawczych należy odłączyć sieć zasilającą i odczekać co najmniej 4 min, aby napięcie zeszło ze wszystkich części elektrycznych. Nieodczekaanie podanego czasu po odłączeniu zasilania może być przyczyną śmierci lub poważnych obrażeń ciała



Agregaty skraplające mogą być instalowane i serwisowane wyłącznie przez wykwalifikowany personel. Należy postępować zgodnie z tymi instrukcjami oraz dobrymi praktykami techniki chłodniczej dotyczącymi instalacji, uruchamiania, konserwacji i serwisowania.



Rysunek 1: Minimalne odległości montażowe



Rysunek 2: Wyświetlacz regulatora elektronicznego



Sprężarka pracuje



Grzałka karteru sprężarki włączona



Wentylator pracuje



Wartość temperatury dla ciśnienia ssania
Nacisnąć dolny przycisk, aby przełączyć na wartość temperatury dla ciśnienia skraplania

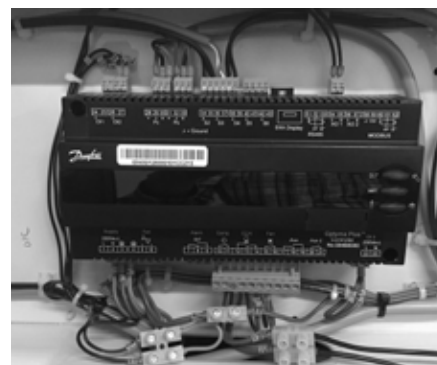
Q: Wlot powietrza

R: Wylot powietrza

Jednostka	W [mm]	X [mm]	Y [mm]	Z [mm]
Obudowa 3	250	760	581	581



Rysunek 3: Okablowanie normalne



Rysunek 4: Okablowanie tymczasowe

Instrukcje

1 – Wprowadzenie

Niniejsze instrukcje odnoszą się do agregatów skraplających Optyma™ Plus OP-MPLM, OP-MPPM, stosowanych w układach chłodniczych. Zawierają podstawowe informacje na temat bezpieczeństwa i prawidłowego użytkowania tego produktu.

Agregaty skraplające składają się z następujących elementów:

- Mikrokanałowy wymiennik ciepła
- Sprężarka spiralna o zmiennej prędkości;
- Zbiornik czynnika z zaworem odcinającym
- Odolejacz;
- Zawory kulowe
- Wziernik
- Presostaty wysokiego i niskiego ciśnienia
- Filtr-odwadniacz
- Sterownik elektroniczny
- Napęd sprężarki z filtrem EMC;
- Wyłącznik główny (wyłącznik główny z zabezpieczeniem przeciążeniowym)
- Kondensatory wentylatora;
- Stycznik sprężarki;
- Solidna obudowa chroniąca przed czynnikami atmosferycznymi

2 – Przenoszenie i magazynowanie

- Zaleca się nie otwierać opakowania przed umieszczeniem urządzenia w docelowym miejscu instalacji.
- Zachowywać ostrożność podczas przenoszenia. Opakowanie jest przystosowane do przenoszenia za pomocą wózka widłowego lub wózka ręcznego do palet. Używać wyłącznie przystosowanego i bezpiecznego sprzętu do podnoszenia.
- Magazynować i transportować urządzenie w pozycji pionowej.
- Magazynować urządzenie w temp. od -35°C do 50°C.
- Nie narażać urządzenia ani jego opakowania na opady deszczu czy też warunki atmosferyczne powodujące korozję.
- Po rozpakowaniu sprawdzić, czy urządzenie jest kompletne i nieuszkodzone.

3 – Środki ostrożności podczas montażu

⚠ Nigdy nie używać urządzenia w atmosferze łatwopalnej.

⚠ Urządzenie należy usytuować w taki sposób, aby nie utrudniało poruszania się i nie blokowało przejść roboczych, drzwi oraz nie zasłaniało okien itp.

- Zapewnić odpowiednią przestrzeń wokół urządzenia dla umożliwienia obiegu powietrza i otwierania drzwiczek. Minimalne odległości od ścian przedstawiono na rys. 1.
- Unikać montażu urządzenia w miejscach, które są przez dłuższy czas wystawione na bezpośrednie działanie promieni słonecznych.
- Unikać montażu urządzenia w miejscach narażonych na działanie kurzu i innych niebezpiecznych czynników otoczenia.
- Wybrać podłoże o poziomej nawierzchni (nachylenie poniżej 3°), odpowiednio mocne i stabilne, aby mogło podtrzymać całą masę urządzenia oraz eliminować drgania i zakłócenia.
- Temperatura otoczenia urządzenia nie może przekraczać 50°C.
- Upewnić się, że napięcie zasilania odpowiada charakterystyce urządzenia (patrz tabliczka znamionowa).
- Podczas instalacji urządzeń HFC stosować sprzęt przeznaczony specjalnie do czynników chłodniczych HFC, który nigdy wcześniej nie był używany do czynników chłodniczych CFC ani HCFC.
- Używać czystych i osuszonych rur miedzianych przeznaczonych do kontaktu z czynnikami chłodniczymi oraz materiałów luty ze stopów srebra.

- Używać czystych i osuszonych podzespołów układu.
- Przewody rurowe podłączone do sprężarki muszą być elastyczne w trzech wymiarach, aby możliwe było tłumienie drgań. Dodatkowo przewody rurowe należy wykonać w taki sposób, aby umożliwić powrót oleju sprężarki i wyeliminować ryzyko przemieszczenia płynu do sprężarki.

4 – Montaż

- Instalacja, do której ma zostać podłączony agregat skraplający, musi być zgodna z wymogami dyrektywy ciśnieniowej (PED) nr 97/23/WE. W świetle tej dyrektywy opisywane agregaty skraplające nie stanowią samodzielnego urządzenia.
- Zaleca się montować agregat skraplający na gumowych tulejach lub tłumikach drgań (nie dołączono do zestawu).
- Powoli usunąć azot przez zawór Schradera.
- Jak najszybciej podłączyć urządzenie do układu, aby uniknąć zanieczyszczenia oleju wilgotnością z otoczenia.
- Nie dopuścić do przedostania się materiału do układu podczas cięcia rur. Nigdy nie wiercić otworów w przypadku braku możliwości wyjęcia zadziorów.
- Lutować z zachowaniem szczególnej ostrożności, stosując najnowocześniejsze techniki oraz przepuszczając azot przez przewody rurowe.
- Podłączyć wymagane urządzenia bezpieczeństwa i sterowania. W przypadku używania zaworu Schradera wymontować zawór wewnętrzny.
- Zaleca się zainstalować rurę ssawną dochodzącą do wlotu sprężarki za pomocą izolacji o grubości 19 mm.

5 – Wykrywanie nieszczelności

⚠ Nigdy nie napełniać obwodu tlenem ani suchym powietrzem. Może to być przyczyną pożaru lub eksplozji.

- Nie używać barwników do wykrywania nieszczelności.
- Przeprowadzić próbę szczelności na kompletnym układzie.
- Maksymalne ciśnienie próbne wynosi 32 bary.
- Po wykryciu nieszczelności należy ją usunąć i powtórzyć próbę.

6 – Osuszanie próżniowe

- Nigdy nie używać sprężarki do usuwania gazu z układu.
- Podłączyć pompę próżniową do stron niskiego i wysokiego ciśnienia.
- Obciążać układ podciśnieniem bezwzględnym 500 µm Hg (0,67 mbar).
- Nie używać megaoomierza ani nie podłączać sprężarki do zasilania podczas obciążenia podciśnieniem, ponieważ mogłoby to spowodować wewnętrzne uszkodzenie.

7 – Podłączenie podzespołów elektrycznych

- Wyłączyć i odizolować główne źródło zasilania.
- Upewnić się, że zasilanie nie będzie mogło zostać przypadkowo włączone podczas montażu.
- Wszystkie podzespoły elektryczne należy dobierać zgodnie z normami lokalnymi i wymogami urządzenia.
- Szczegółowe informacje dotyczące połączeń elektrycznych zamieszczono na schemacie okablowania.
- Upewnić się, że napięcie zasilania odpowiada charakterystyce urządzenia i jest stabilne (napięcie znamionowe ±10% i częstotliwość znamionowa ±2,5 Hz).
- Przekroje przewodów zasilających należy dobrać zgodnie z parametrami napięcia i prądu wymaganymi przez urządzenie.
- Zabezpieczyć zasilanie i zapewnić prawidłowe uziemienie.
- Prąd upływu przekracza 3,5 mA. Przewód ochronny może być zasilany prądem DC. Gdy stosujemy

wyłącznik różnicowoprądowy do ochrony przed porażeniem prądem elektrycznym przy dotyku pośrednim i bezpośrednim tylko dozwolone jest użycie wyłącznika różnicowoprądowego typu B po stronie zasilania tego produktu.

- Zasilanie należy doprowadzić zgodnie z obowiązującymi lokalnie normami i przepisami prawa.
 - W przypadku układów zasilania IT należy otworzyć przełącznik RFI, wyjmując śrubę RFI po lewej stronie przetwornicy częstotliwości (patrz Skrócony przewodnik MG18Mxxx §1.2.3).
 - Agregat jest wyposażony w sterownik elektroniczny. Szczegółowe informacje można znaleźć w instrukcji RS8GDxxx.
 - Urządzenie jest wyposażone w wyłącznik główny z zabezpieczeniem przeciążeniowym. Zabezpieczenie przeciążeniowe zostało ustawione fabrycznie, ale zaleca się sprawdzić jego nastawę przed uruchomieniem urządzenia. Wartość nastawy zabezpieczenia przeciążeniowego można odczytać ze schematu połączeń elektrycznych znajdującego się na przednich drzwiczkach urządzenia.
 - Urządzenie jest wyposażone w presostaty wysokiego i niskiego ciśnienia, które w przypadku uaktywnienia bezpośrednio odcinają zasilanie od sprężarki. Parametry odcięcia zasilania przy wysokim i niskim ciśnieniu zostały ustawione w regulatorze, stosownie do sprężarki zastosowanej w urządzeniu.
 - Urządzenie jest wyposażone w napęd sprężarki do regulacji prędkości. Wymagane jest podłączenie sprężarki za pomocą jej napędu w sposób przedstawiony na schemacie połączeń elektrycznych w tej instrukcji.
- Należy zachować odpowiednią kolejność podłączania faz, zgodną z kierunkiem obrotów sprężarki.
- Właściwa kolejność faz zasilających sprężarkę jest zapewniona przez przetwornicę częstotliwości i fabryczne okablowanie
 - Połączenia z przetwornicy częstotliwości do zacisków sprężarki przedstawiono na schemacie połączeń elektrycznych.

8 – Napełnianie układu

- Nigdy nie uruchamiać sprężarki obciążonej podciśnieniem. Sprężarka musi być wyłączona.
- Używać wyłącznie czynnika chłodniczego, do którego urządzenie jest przystosowane.
- Napełniać układ ciekłym czynnikiem poprzez skraplacz lub zbiornik cieczy. Układ należy napełnić powoli do ciśnienia 4–5 bar.
- Ostateczne napełnienie wykonuje się do momentu osiągnięcia przez instalację stabilnych, znamionowych warunków roboczych.
- Ilość czynnika chłodniczego w instalacji musi być jak najbardziej zbliżona do napełnienia nominalnego dla danego układu, aby uniknąć pracy przy zbyt niskim ciśnieniu oraz zbyt wysokim przegrzaniu. Dla sprężarki VLZ028-044 maksymalne napełnienie czynnikiem chłodniczym wynosi 3,6 kg. Powyżej tego limitu należy zabezpieczyć sprężarkę przed wystąpieniem zjawiska „podlewania sprężarki cieczą” poprzez zastosowanie wyłączania sprężarki z odessaniem do wartości nie niższej niż 2,3 bar(g) dla R448A/R449A / 2,3 bar(g) dla R407F / 2,3 bar(g) dla R407A / 2,3 bar(g) dla R404A lub zastosowanie oddzielnacza cieczy na ssaniu.
- Nigdy nie pozostawiać cylindra napełniania podłączonego do obwodu.

9 – Konfiguracja regulatora elektronicznego

- Urządzenie jest wyposażone w sterownik elektroniczny, w którym fabrycznie zaprogramowano parametry wymagane przez dane urządzenie. Należy się zapoznać ze szczegółowymi informacjami zamieszczonymi w podręczniku RS8GDxxx.

Instrukcje

- Domyślnie wyświetlacz regulatora elektronicznego pokazuje wartość temperatury w °C dla ciśnienia ssania. Aby wyświetlić wartość temperatury dla ciśnienia skraplania, nacisnąć dolny przycisk (rys. 2).

Sterownik elektroniczny jest ustawiony fabrycznie do pracy z czynnikiem chłodniczym R449A. Jeśli używany jest inny czynnik chłodniczy, trzeba zmienić ustawienie czynnika w sterowniku. Wcześniej trzeba ustawić parametr r12 na wartość 0 (parametr „Main Switch” sterownika w położeniu wyłączone chłodzenie).

- Nacisnąć i przytrzymać przez kilka sekund górny przycisk. Zostanie wyświetlony pierwszy kod parametru.
- Nacisnąć górny lub dolny przycisk, aby znaleźć kod parametru o30.
- Nacisnąć środkowy przycisk, aż zostanie wyświetlona wartość tego parametru.
- Nacisnąć górny lub dolny przycisk, aby wybrać nową wartość: 17 = R507A, 19 = R404A, 21 = R407A, 37 = R407F, 40 = R448A, 41 = R449A.
- Nacisnąć środkowy przycisk, aby zatwierdzić wybraną wartość.
- Wrócić do parametru r12 i zmienić jego wartość na 1.
- W razie potrzeby należy również zmienić wartość parametru r23 na żądane ciśnienie ssania (°C/°F).
- Zmienić parametr c33 na wartość ciśnienia przy odesianiu czynnika odpowiednio do swoich potrzeb.

10 – Sprawdzenie przed uruchomieniem

⚠ Używać urządzeń bezpieczeństwa takich jak ciśnieniowe wyłączniki bezpieczeństwa oraz mechaniczny zawór nadmiarowy zgodne z obowiązującymi przepisami ogólnymi i lokalnymi oraz normami bezpieczeństwa. Sprawdzić, czy te urządzenia są sprawne i prawidłowo ustawione.

⚠ Sprawdzić, czy ustawienia wyłączników wysokiego ciśnienia i zaworów nadmiarowych nie przekraczają maksymalnego ciśnienia roboczego kotłogokolwiek z podzespołów układu.

- Sprawdzić, czy wszystkie podłączenia elektryczne są odpowiednio przymocowane i zgodne z przepisami lokalnymi.
- Grzałka karteru musi być zasilana przez co najmniej 12 godzin przed pierwszym uruchomieniem i rozruchem po długiej bezczynności w celu usunięcia czynnika chłodniczego w fazie ciekłej ze sprężarki. Wyjątek dotyczy D11 ze sterownika, aby umożliwić uruchomienie sprężarki i przełączyć wyłącznik główny w położenie ON (WŁ.) w tym okresie.
- Urządzenie jest wyposażone w wyłącznik główny z zabezpieczeniem przeciążeniowym. Zabezpieczenie przeciążeniowe zostało ustawione fabrycznie, ale zaleca się sprawdzić jego nastawę przed uruchomieniem urządzenia. Wartość nastawy zabezpieczenia przeciążeniowego można odczytać ze schematu połączeń elektrycznych znajdującego się na przednich drzwiczkach urządzenia.

11 – Uruchomienie

- Nigdy nie uruchamiać urządzenia przy braku czynnika chłodniczego.
- Wszystkie zawory serwisowe muszą być otwarte.
- Sprawdzić zgodność parametrów urządzenia z dostępnym zasilaniem.
- Sprawdzić, czy grzałka karteru jest włączona.
- Sprawdzić, czy wentylator może swobodnie się obracać.
- Zrównoważyć wartości ciśnienia po stronie wysokiego i niskiego ciśnienia.
- Podłączyć urządzenie do zasilania energią elektryczną. Sprężarka musi się niezwłocznie uruchomić.

Jeżeli sprężarka się nie uruchamia, sprawdzić zgodność okablowania i napięcie na zaciskach.

- Odwrotne obroty sprężarki 3-fazowej zostaną wykryte przy użyciu sterownika na podstawie następujących objawów: praca sprężarki nie powoduje wzrostu ciśnienia, sprężarka jest wyjątkowo głośna i pobiera bardzo mało prądu. W takiej sytuacji należy niezwłocznie wyłączyć urządzenie i prawidłowo podłączyć przewody faz do zacisków na urządzeniu.
- Gdy kierunek obrotów jest prawidłowy, wskazanie niskiego ciśnienia na regulatorze (lub manometrze niskiego ciśnienia) powinno pokazywać spadek ciśnienia, a wskazanie wysokiego ciśnienia na regulatorze (lub manometrze wysokiego ciśnienia) powinno pokazywać wzrost ciśnienia.

12 – Kontrola działania

- Sprawdzić kierunek obrotów wentylatora. Powietrze musi przepływać od skraplacza w kierunku wentylatora.
- Sprawdzić pobór prądu i napięcie.
- Sprawdzić przegrzanie na ssaniu aby ograniczyć ryzyko uderzenia cieczowego
- Optymalne przegrzanie po stronie ssawnej sprężarki wynosi około 6 K. Maksymalne dopuszczalne przegrzanie wynosi 30 K.

Sprawdzić poziom oleju podczas rozruchu oraz pracy ustalonej. Poziom oleju musi pozostawać widoczny. Nadmierne pienienie we wzierniku poziomu oleju oznacza obecność czynnika chłodniczego w karterze sprężarki.

- Monitorować wziernik oleju przez 1 godzinę po osiągnięciu przez układ stanu równowagi, aby upewnić się że występuje prawidłowy powrót oleju do sprężarki. To sprawdzanie oleju należy wykonywać przy różnych prędkościach, aby zagwarantować:
 - prawidłowy powrót oleju przy małej prędkości sprężarki i minimalnej prędkości gazu.
 - prawidłowe rozprowadzanie oleju przy dużej prędkości i maksymalnym przenoszeniu oleju.
- Przestrzegać roboczych wartości granicznych.
- Sprawdzić wszystkie rurki pod kątem niepożądanych drgań. Ruchy przekraczające 1,5 mm wymagają działań naprawczych takich jak zastosowanie wsporników rurek.
- W razie potrzeby można uzupełnić czynnik chłodniczy po stronie niskiego ciśnienia w jak największej odległości od sprężarki. Podczas tego procesu sprężarka musi pracować.
- Nie napełniać układu zbyt dużą ilością czynnika.
- Nigdy nie wypuszczać czynnika chłodniczego do atmosfery.
- Przed opuszczeniem miejsca instalacji przeprowadzić ogólną kontrolę instalacji dotyczącą czystości, hałasu i wykrywania nieszczelności.
- Zanotować typ i ilość zastosowanego czynnika chłodniczego, jak też warunki pracy na użytek przyszłych kontroli.

Sprężarka nie buduje ciśnienia: Sprawdzić wszystkie zawory obejściowe w układzie, aby upewnić się, że żaden z nich nie jest otwarty. Sprawdzić również, czy wszystkie zawory elektromagnetyczne są we właściwych położeniach.

- Niepożądany hałas podczas pracy: Upewnić się, że nie występuje zasysanie cieczy przez sprężarkę, dokonując pomiaru przegrzania na rurociągu powrotnym oraz temperatury karteru sprężarki. Temperatura karteru powinna być co najmniej o 6 K wyższa, niż wynosi temperatura ssania przy nasyceniu, w stabilnych warunkach pracy.
- Następuje wyłączenie presostatu wysokiego ciśnienia: Sprawdzić pracę skraplacza (czystość skraplacza, pracę wentylatora, zawór przepływu i ciśnienia wody, filtr wody itd.). Jeśli działanie wszystkich komponentów jest prawidłowe, problem może być spowodowany zbyt dużą ilością czynnika chłodniczego lub obecnością substancji nieskrapających się (np. powietrze, wilgoć) w układzie.

- Następuje wyłączenie presostatu niskiego ciśnienia: Sprawdzić działanie parownika (czystość lameli, pracę wentylatora, przepływ wody, filtr do wody itd.), przepływ czynnika chłodniczego w linii ciecowej oraz spadki ciśnienia (zawór elektromagnetyczny, filtr-odwadniacz, zawór rozprężny itd.), napełnienie czynnikiem chłodniczym.
- Niewielka ilość czynnika chłodniczego: Prawidłowa ilość czynnika chłodniczego jest wskazywana przez wziernik na linii ciecowej, różnica temperatur delta T na skraplaczu w odniesieniu do zestawienia tabelarycznego (ciśnienie-temperatura) czynnika chłodniczego, przegrzanie i dochłodzenie itd. (jeśli niezbędna jest dodatkowa ilość czynnika chłodniczego, należy zapoznać się z punktem 8).

13 – Praca w trybie awaryjnym bez regulatora

W przypadku usterki regulatora agregat skraplający nadal może pracować, jeśli standardowe okablowanie regulatora (schemat połączeń elektrycznych WD1) zmodyfikuje się w sposób opisany poniżej w celu uzyskania tymczasowego okablowania (schemat połączeń elektrycznych WD 2).

- ⚠ Ta modyfikacja może być wykonywana wyłącznie przez elektryków z uprawnieniami. Należy przestrzegać przepisów krajowych.
- ⚠ Odłączyć agregat skraplający od zasilania elektrycznego (użyć wyłącznika głównego)
 - Element stykowy sterownika komorowego (w zależności od aplikacji) musi być przystosowany do przełączania napięcia 250 V AC.
 - Wymontować przewód 22 (wejście zabezpieczenia DI3) i przewód 6 (zasilanie wentylatora) i połączyć je. Presostat wentylatora (np. KP5) lub regulator prędkości obrotowej wentylatora (np. XGE) można podłączyć szeregowo do przewodu 6.
 - Wymontować przewód 10 (rozruch napędu) i przewód 24 (termostat komorowy) i połączyć je.
 - Wymontować przewód 11 (rozruch napędu) i przewód 25 (termostat komorowy) i połączyć je.
 - Odłączyć przewody 53 i 55 od zacisków napędu i podłączyć potencjometr 10 kΩ w sposób przedstawiony poniżej:
 - przewód 1 do zacisku napędu 55
 - przewód 2 do zacisku napędu 53
 - przewód 3 do zacisku napędu 50
 - Obrócić pokrętkę potencjometru do położenia środkowego, które odpowiada w przybliżeniu prędkości sprężarki wynoszącej 50 obr./min.
 - Odłączyć przewód 14 (grzałka karteru sprężarki) i podłączyć go do zacisku 22 stycznika sprężarki.
 - Odłączyć przewód 12 (zasilanie grzałki karteru), przedłużony go z użyciem mostka zaciskowego 250 V AC / 10 mm² i brązowego kabla 1,0 mm², a następnie podłączyć do zacisku 21 stycznika sprężarki.
 - Wymontować duży zespół stykowy z zacisków regulatora od 10 do 19.
 - Podłączyć agregat skraplający do zasilania (za pomocą wyłącznika głównego).
 - Wyregulować potencjometr w celu uzyskania żądanej prędkości.
 - Wymienić sterownik najszybciej jak to możliwe.

14 – Konserwacja

⚠ Należy zawsze wyłączać urządzenie za pomocą przełącznika głównego i odczekać 4 minuty (czas wyładowania kondensatorów) przed otwarciem drzwiczek wentylatora, aby uniknąć porażenia prądem elektrycznym.

Podczas konserwacji i serwisowania należy pamiętać, że nawet gdy przełącznik główny jest ustawiony w położeniu OFF (WYŁ.), zaciski wejściowe przełącznika głównego są pod napięciem.

⚠ Ciśnienie wewnętrzne i temperatura powierzchni stanowią zagrożenie i mogą spowodować trwałe uszkodzenia na zdrowiu. Konserwatorzy i monterzy muszą mieć odpowiednie kwalifikacje i stosować odpowiednie narzędzia. Temperatura przewodów

Instrukcje

rurowych może przekroczyć 100°C, co grozi poważnymi oparzeniami.

⚠ Przeprowadzać okresowe przeglądy serwisowe w celu zapewnienia niezawodności układu oraz zgodnie z wymogami przepisów lokalnych.

Aby zapobiec problemom związanym z układem, zaleca się poniższą konserwację okresową:

- Sprawdzić, czy urządzenia bezpieczeństwa są sprawne i prawidłowo ustawione.
- Sprawdzić szczelność układu.
- Sprawdzić pobór prądu sprężarki.
- Upewnić się, że układ pracuje w sposób spójny z poprzednimi zapisami dotyczącymi konserwacji i warunkami otoczenia.
- Sprawdzić, czy wszystkie połączenia elektryczne są w dalszym ciągu odpowiednio przymocowane.
- Utrzymywać sprężarkę w czystości oraz sprawdzić, czy na osłonie urządzenia, rurkach i połączeniach elektrycznych nie ma rdzy ani nie dochodzi do ich utleniania.

Agregat skraplający musi być co najmniej raz w roku sprawdzany pod kątem drożności przepływu, a w razie konieczności musi zostać oczyszczony. Dostęp do wnętrza agregatu skraplającego uzyskuje się poprzez drzwiczki wentylatora. Brud

odkłada się zazwyczaj na zewnątrz skraplacza mikrokanalowego, a nie wewnątrz, dzięki czemu łatwiej je czyścić niż skraplacze lamelowe.

- Należy wyłączyć urządzenie wyłącznikiem głównym przed otwarciem drzwi do wentylatora.
- Usunąć zabrudzenia powierzchniowe, liście itp. za pomocą odkurzacza wyposażonego w końcówkę z włosiem lub inne miękkie zakończenie. Alternatywnie można przedmuchać skraplacz sprężonym powietrzem od środka i oczyścić za pomocą miękkiego pędzla. Nie używać szczotki drucianej. Nie wolno uderzać ani skrobać skraplacza końcówką odkurzacza lub dyszą powietrzną.

Jeśli otwarto układ chłodniczy, należy go przeczyszczyć suchym powietrzem lub azotem w celu usunięcia wilgoci, a następnie zamontować nowy filtr-odwadniacz. Jeśli wymagane jest usunięcie z układu czynnika chłodniczego, należy to wykonać w taki sposób, aby nie dostał się od środowiska naturalnego.

15 – Gwarancja

Do reklamacji tego produktu należy zawsze dołączyć numer modelu i numer seryjny.

Gwarancja na produkt może zostać unieważniona w następujących przypadkach:

- Brak tabliczki znamionowej.
- Modyfikacje zewnętrzne; w szczególności wiercenie, spawanie, wyłamane stopy i ślady po wstrząsach.
- Odesłana sprężarka jest otwarta lub króćce nie są uszczelnione.
- Rdza, woda lub barwnik do wykrywania nieszczelności wewnątrz sprężarki.
- Użycie czynnika chłodniczego lub środka smarującego niezatwierdzonego przez firmę Danfoss.
- Wszelkie odstępstwa od zaleceń dotyczących instalacji, zastosowania i konserwacji.
- Używanie w zastosowaniach przenośnych.
- Używanie w atmosferze wybuchowej.
- Niedołączenie numeru modelu lub numeru seryjnego do zgłoszenia reklamacji.

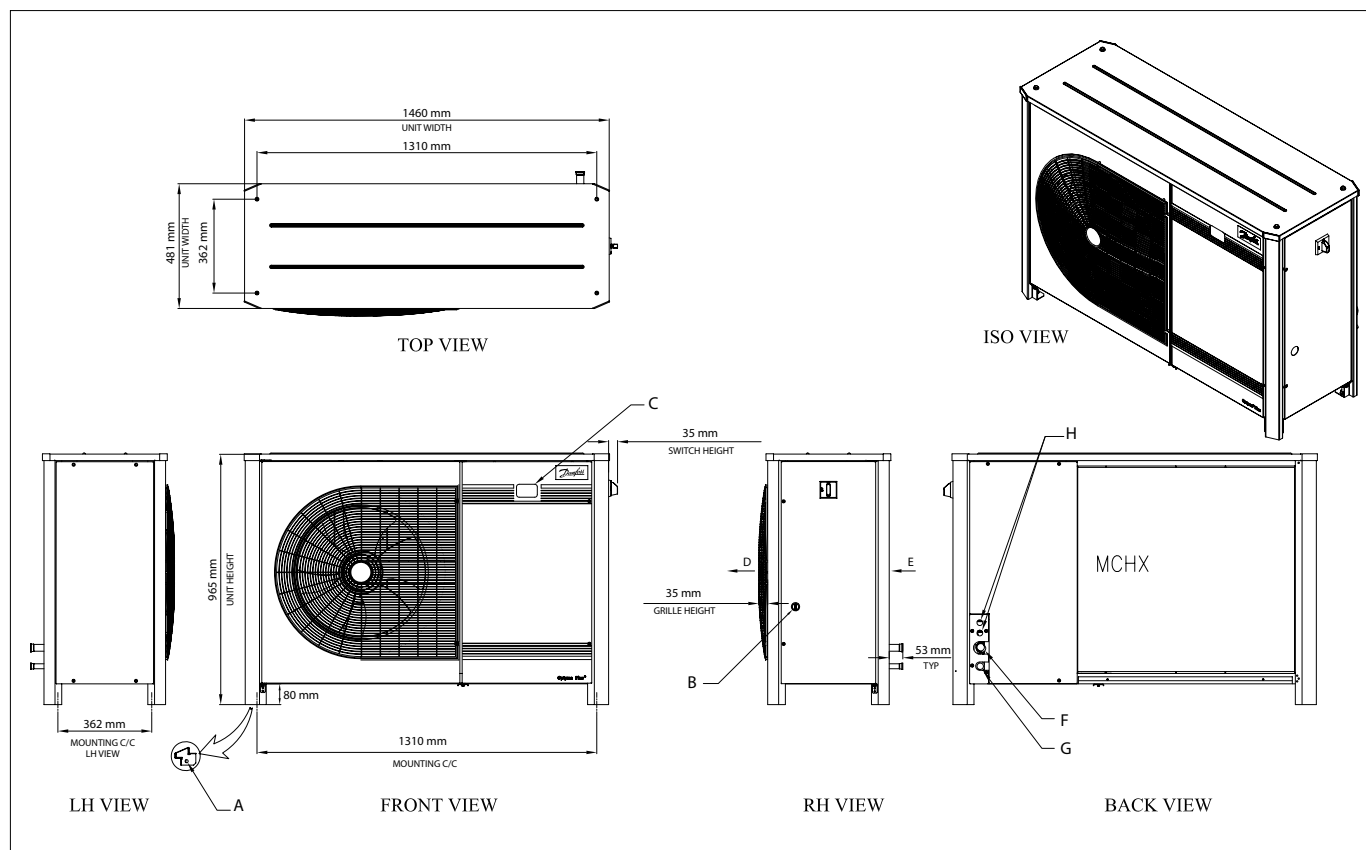
16 – Usuwanie



Firma Danfoss zaleca, aby przeprowadzenie recyklingu agregatu skraplającego i oleju zostało zlecone specjalistycznej firmie i przeprowadzone na jej terenie.

Instructions

OP-MPLM028-035-044, OP-MPPM028-035-044



English Legend

- A Ø12 Hole for Mounting
 - B Sight Glass
 - C Controller Display
 - D Air in
 - E Air out
 - F Suction Port
 - G Liquid Port
 - H Cable entry ports
- Note: all dimension are in mm

Dansk Legend

- A Ø12-hul til montering
 - B Skueglas
 - C Regulatordisplay
 - D Luft ind
 - E Luft ud
 - F Sugerør
 - G Væskerør
 - H Kabelgennemføringer
- Bemærk: Alle mål angives i mm

Deutsch Legende

- A Ø12 Befestigungsbohrung
 - B Schauglas
 - C Regler-Anzeige
 - D Lufteinlass
 - E Luftauslass
 - F Sauganschluss
 - G Flüssigkeitsanschluss
 - H Kabeleinführungen
- Hinweis: alle Maße in mm

Français Légende

- A Trou de montage ø 12
 - B Voyant
 - C Affichage du régulateur
 - D Entrée de l'air
 - E Sortie de l'air
 - F Port d'aspiration
 - G Port de liquide
 - H Orifices d'entrée de câble
- Remarque : toutes les dimensions sont exprimées en mm

Español leyenda

- A Ø12 Agujero para montaje
 - B Visor
 - C Display de Controlador
 - D Salida Aire
 - E Entrada Aire
 - F Puerto Succion
 - G Puerto Liquido
 - H Puertos de entrada de cable
- Nota: todas las dimensiones están en mm

Svenska Legend

- A Ø 12 Monteringshål
 - B Synglas
 - C Regleringsdisplay
 - D Luftinlopp
 - E Luftutlopp
 - F Sugport
 - G Vätskeport
 - H Kabelanslutning
- OBS! alla mått anges i mm

Nederlandse legenda

- A Ø12 Opening voor de bevestiging van
 - B regelaardisplay van
 - C kijkglas
 - D Luchtinlaat
 - E Luchtuitlaat
 - F zuigpoort
 - G vloeistofpoort
 - H Kabelingangen
- Opmerking: alle afmetingen zijn in mm

Suomi Legenda

- A Ø12 Kiinnitysreikä
 - B Nestelasi
 - C Säätimen näyttö
 - D Ilma sisään
 - E Ilma ulos
 - F Imuliitäntä
 - G Nesteliitäntä
 - H Kaapelin sisäänmenokohdat
- Huomaa: kaikki mitat ovat millimetrejä

Norsk Legende

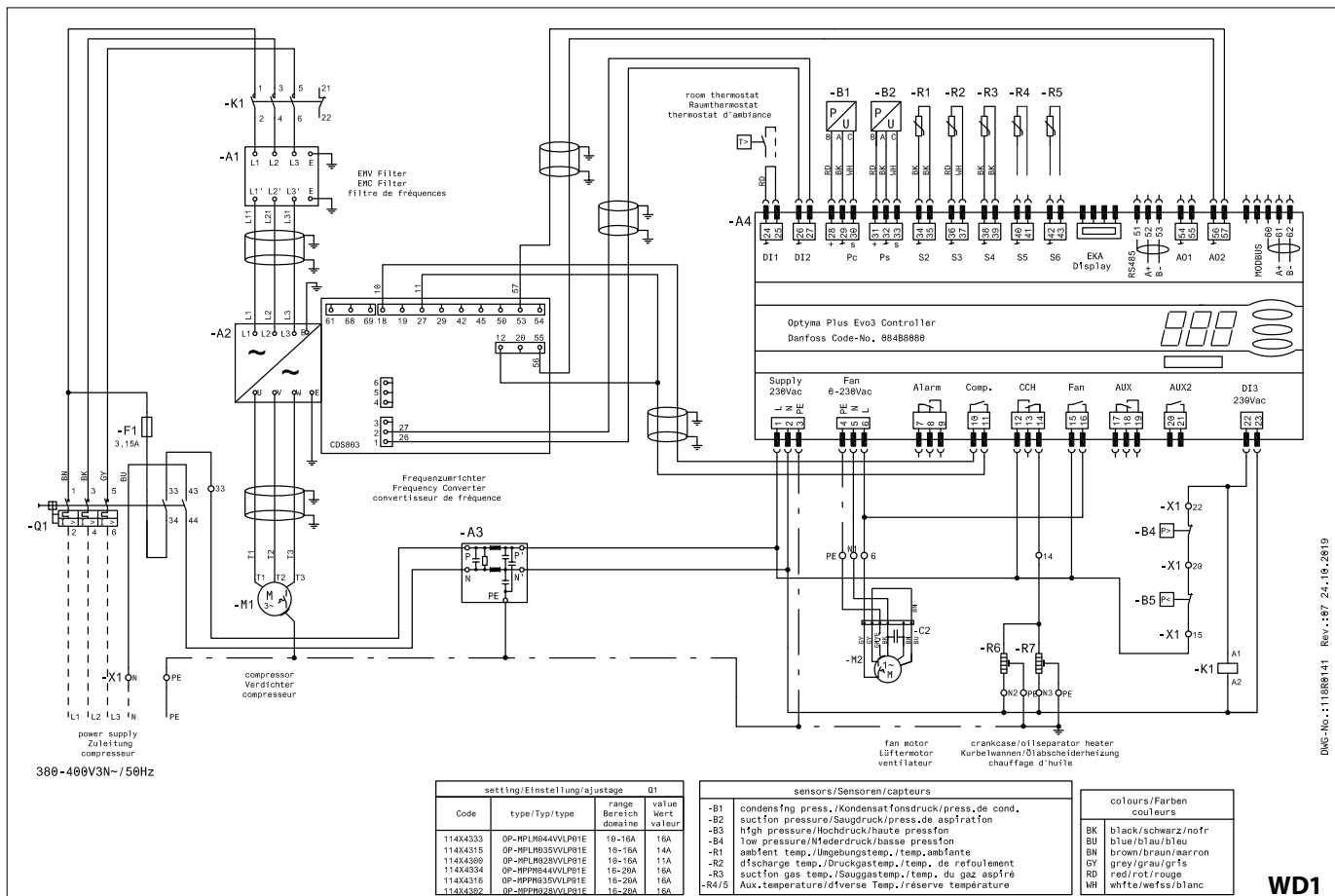
- A Ø12 hull for montering
 - B Seglass
 - C Display
 - D Luft inn
 - E Luft ut
 - F Sugeport
 - G Væskeport
 - H Kabelinnføringer
- OBS: alle mål er i mm

Polski Legenda

- A Otwór Ø12 do montażu
 - B Wziernik
 - C Wyświetlacz sterownika
 - D Dopływ powietrza
 - E Wypływ powietrza
 - F Przyłącze ssawne
 - G Przyłącze cieczowe
 - H Otwory na kable
- Uwaga: wszystkie wymiary podano w mm

Instructions

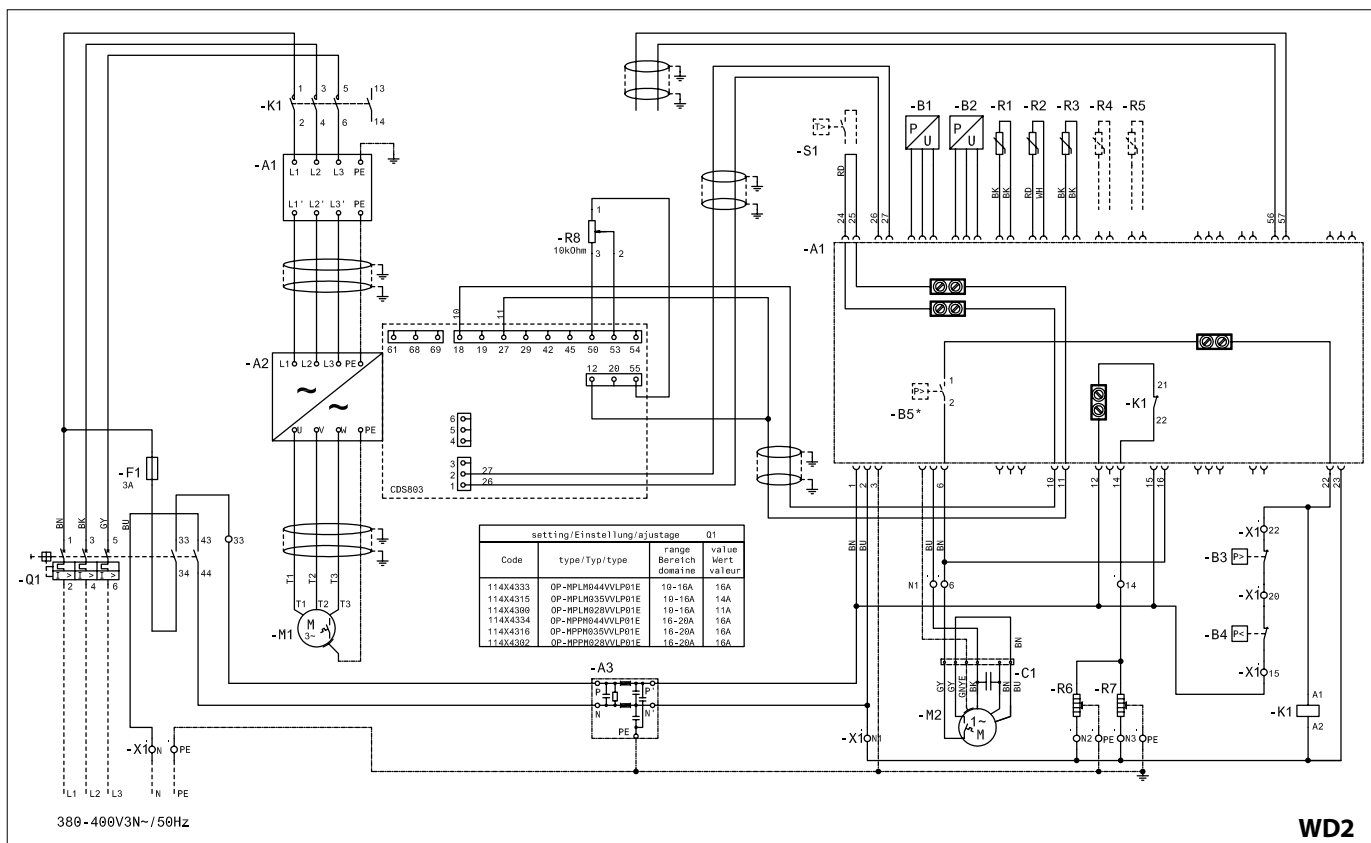
OP-MPLM028-035-044, OP-MPPM028-035-044



DWG-No.: 111888141 Rev.: 187_24_16_2819

WD1

OP-MPLM028-035-044, OP-MPPM028-035-044**



WD2

Instructions

English Legend

A1 : RFI Filter (Compressor)
A2 : Frequency Converter
A3 : RFI Filter (Controls)
A4 : Optyma™ Plus Controller
B1 : Condensing Pressure Transducer
B2 : Suction Pressure Transducer
B3 : High Pressure Switch
B4 : Low Pressure Switch

B5* : Fan Speed Controller / Pressure Switch
C1 : Run Capacitor (Fan)
F1 : Fuse (Control Circuit)
K1 : Contactor
M1 : Compressor
M2 : Fan Motor
Q1 : Main Switch
R1 : Ambient Temp. Sensor
R2 : Discharge Temp. Sensor

R3 : Suction Temp. Sensor
R4,R5 : Auxiliary Temp. Sensor (optional)
R6 : Crankcase Heater
R7 : Oil Separator Heater
R8 : Compressor Speed Potentiometer
S1 : Room Thermostat (optional)
X1 : Terminal
****** Emergency Wiring

Supply : Supply
Fan : Fan
Alarm : Alarm
Komp. : Compressor
CCH : Crankcase Heater
Aux : Auxiliary

Dansk Legend

A1 : RFI-filter (kompressor)
A2 : Frekvensomformer
A3 : RFI-filter (regulatorer)
A4 : Optyma™ Plus-regulator
B1 : Kondenseringstryktransmitter
B2 : Sugetryktransmitter
B3 : Højtrykspresostat
B4 : Lavtrykspresostat

B5* : Ventilatorhastighedsregulator/presostat
C1 : Kørekondensator (ventilator)
F1 : Sikring (styrstrøm)
K1 : Kontaktor
M1 : Kompressor
M2 : Ventilatormotor
Q1 : Hovedafbryder
R1 : Omgivelsestemp.-føler

R2 : Afgangstemp.-føler
R3 : Sugetemp.-føler
R4,R5 : Ekstra temp.-føler (valgfri)
R6 : Krumtapvarme
R7 : Olieudskillervarmer
R8 : Kompressor hastigheds potentiometer
S1 : Rumtermostat (valgfri)
X1 : Terminal
****** nød-ledningsføring

Forsyning : Forsyning
Ventilator : Ventilator
Alarm : Alarm
Komp. : Kompressor
CCH : Krumtapvarme
Aux : Ekstra

Deutsch Legende

A1 : RFI-Filter (Verdichter)
A2 : Frequenzumrichter
A3 : RFI-Filter (Regler)
A4 : Optyma™ Plus Regler
B1 : Verflüssigerdruckaufnehmer
B2 : Druckmessaufnehmer Saugseite
B3 : Hochdruckschalter
B4 : Niederdruckschalter

B5* : Lüfterdrehzahlregler/Druckschalter
C1 : Betriebskondensator (Lüfter)
F1 : Sicherung (Regelkreis)
K1 : Schütz
M1 : Verdichter
M2 : Lüftermotor
Q1 : Hauptschalter
R1 : Umgebungstemperatur Fühler
R2 : Heißgastemperaturfühler

R3 : Saugtemp.-Fühler
R4,R5 : Zusätzlicher Temp.-Fühler (optional)
R6 : Kurbelwannenheizung
R7 : Ölabscheiderheizung
R8 : Verdichterdrehzahl-Potentiometer
S1 : Raumthermostat (optional)
X1 : Klemme
****** Not-Aus-Verdrahtung

Supply : Spannungsversorgung
Fan : Lüfter
Alarm : Alarm
Comp : Verdichter
CCH : Kurbelwannenheizung
Aux : Zusatzgeräte

Français Légende

A1 : filtre RFI (compresseur)
A2 : variateur de fréquence
A3 : filtre RFI (commandes)
A4 : contrôleur Optyma™ Plus
B1 : transducteur de pression de condensation
B2 : transducteur de pression d'aspiration
B3 : pressostat haute pression
B4 : pressostat basse pression

B5* : variateur de vitesse du ventilateur/pressostat
C1 : condensateur permanent (ventilateur)
F1 : fusible de circuit de commande
K1 : contacteur
M1 : compresseur
M2 : moteur de ventilateur
Q1 : sectionneur principal
R1 : sonde de température ambiante
R2 : sonde de température de reflux

R3 : sonde de température d'aspiration
R4,R5 : sonde de température auxiliaire (en option)
R6 : résistance de carter
R7 : résistance de séparateur d'huile
R8 : potentiomètre de vitesse du compresseur
S1 : thermostat d'ambiance (option)
X1 : bornier
****** Câblage d'urgence

Alimentation : alimentation
Ventilateur : ventilateur
Alarme : alarme
Komp. : compresseur
CCH : résistance de carter
Aux. : auxiliaire

Español leyenda

A1 : Filtro RFI (compresor)
A2 : Convertidor de frecuencia
A3 : Filtro RFI (controles)
A4 : Controlador Optyma™ Plus
B1 : Transductor de presión de condensación
B2 : Transductor de presión de aspiración
B3 : Presostato de alta presión
B4 : Presostato de baja presión

B5* : Controlador de velocidad del ventilador/presostato
C1 : Condensador de marcha (ventilador)
F1 : Fusible (circuito de control)
K1 : Contactor
M1 : Compresor
M2 : Motor del ventilador
Q1 : Interruptor principal
R1 : Sensor de temperatura ambiente
R2 : Sensor de temperatura de descarga

R3 : Sensor de temperatura de aspiración
R4,R5 : Sensor de temperatura auxiliar (opcional)
R6 : Resistencia de cárter
R7 : Resistencia de separador de aceite
R8 : Potenciómetro de velocidad del compresor
S1 : Termostato ambiente (opcional)
X1 : Terminal
****** cableado de emergencia

Supply : Alimentación
Fan : Ventilador
Alarm : Alarma
Komp. : Compresor
CCH : Resistencia de cárter
Aux. : Auxiliar

Svenska Legend

A1 : RFI-filter (kompressor)
A2 : Frekvensomformare
A3 : RFI-filter (regulatorer)
A4 : Optyma™ Plus Controller
B1 : Högtryckstransmitter
B2 : Lågtryckstransmitter
B3 : Högtrycksbrytare
B4 : Lågtrycksbrytare

B5* : Fläktvarvtalsregulator/Pressostat
C1 : Driftskondensator (fläkt)
F1 : Säkring (styrkrets)
K1 : Kontaktor
M1 : Kompressor
M2 : Fläktmotor
Q1 : Huvudbrytare
R1 : Omgivningstemp. Givare
R2 : Hetgastemp. Givare

R3 : Suggastemp. Givare
R4,R5 : AUX-temp. Givare (tillval)
R6 : Vevhusvärmare
R7 : värmare för Oljeavskiljare
R8 : Kompressorvarvtals potentiometer
S1 : Rumstermostat (tillval)
X1 : Plint
****** Kabeldragning för nödläge

Matning : Matningsspänning
Fläkt : Fläkt
Larm : Larm
Komp. : Kompressor
CCH : Vevhusvärmare
Aux : Tillbehör

Instructions

Nederlandse legenda

A1 : RFI-filter (Compressor)
A2 : Frequentieomvormer
A3 : RFI-filter (regelingen)
A4 : Optyma™ Plus-regelaar
B1 : Druktransmitter condensordruk
B2 : Druktransmitter zuigdruk
B3 : Hogedrukpressostaat
B4 : Lagedrukschakelaar

B5* : Ventilatortoerenregelaar / drukschakelaar
C1 : Bedrijfscondensator (ventilator)
F1 : Zekering (stuurstroombeschermer)
K1 : Contactor
M1 : Compressor
M2 : Ventilatormotor
Q1 : Hoofdschakelaar
R1 : Omgevingstemp. Voeler

R2 : Perstemp. Voeler
R3 : Zuigtemp. Voeler
R4,R5 : Hulptemp. sensor (optioneel)
R6 : Carterverwarming
R7 : Olieafscheider verwarming
R8 : Compressorsnelheid potentiometer
S1 : Ruimtethermostaat (optioneel)
X1 : Klem
****** Noodbedrading

Supply : Voeding
Fan : Ventilator
Alarm : Alarm
Comp. : Compressor
CCH : Carterverwarming
Aux : Auxiliary (hulp)

Suomi Legenda

A1 : RFI-suodatin (kompessori)
A2 : Taajuusmuuttaja
A3 : RFI-suodatin (säätimet)
A4 : Optyma™ Plus -säädin
B1 : Lauhtumispaineen painelähetin
B2 : Imupaineen painelähetin
B3 : Korkeapainekeytkin
B4 : Matalapainekeytkin
B5* : Puhaltimen nopeussäädin / paine-

kytkin
C1 : Käyntikondensaattori (puhallin)
F1 : Sulake (säätöpiiri)
K1 : Kontaktori
M1 : Kompessori
M2 : Puhaltimen moottori
Q1 : Pääkytkin
R1 : Ympäristön lämpötila- anturi
R2 : Kuumakaasun lämpötila- anturi
R3 : Imukaasun lämpötila- anturi

R4,R5 : Ylimääräinen lämpötila- anturi (lisävaruste)
R6 : Kampikammion lämmitin
R7 : Öljynerotin lämmitin
R8 : Kompessorin nopeus
S1 : Huonetermostaatti (lisävaruste)
X1 : Potentiometrin liitin
****** Hätäjohdotus

Supply : Syöttö
Fan : Puhallin
Alarm : Hälytys
Comp. : Kompessori
CCH : Kampikammion lämmitin
Aux : Ylimääräinen

Norsk Legende

A1 : RFI-filter (kompessor)
A2 : Frekvensomformer
A3 : RFI-filter (styringer)
A4 : Optyma™ Plus styringsenhet
B1 : Kondenseringstrykk signalomformer
B2 : Signalomformer for sugetrykk
B3 : HP-Pressostat
B4 : LP-Pressostat

B5* : Styreenhet for viftefastighet / trykkbryter
C1 : Driftskondensator (vifte)
F1 : Sikring (kontrollkrets)
K1 : Kontaktor
M1 : Kompessor
M2 : Viftomotor
Q1 : Hovedbryter
R1 : Omgivelsestemperatur Sensor

R2 : Trykkrørstemperatur. Sensor
R3 : Sugetemperatur. Sensor
R4,R5 : Ekstern temperatur. Sensor (valgfri)
R6 : Veivhusvarmer
R7 : Varmer for oljeutskiller
R8 : Kompessorhastighets-potensiometer
S1 : Romtermostat (valgfri)
X1 : Klemme
****** Nødvikling

Tilførsel : Tilførsel
Vifte : Vifte
Alarm : Alarm
Kompessor : Kompessor
CCH : Veivhusvarmer
Aux : Ekstern

Polski Legenda

A1 : Filtr RFI (sprężarka)
A2 : Przetwornica częstotliwości
A3 : Filtr RFI (automatyka)
A4 : Sterownik Optyma™ Plus
B1 : Przetwornik ciśnienia skraplania
B2 : Przetwornik ciśnienia ssania
B3 : Presostat wysokiego ciśnienia
B4 : Presostat niskiego ciśnienia
B5* : Regulator prędkości obrotowej

wentylatora / presostat
C1 : Kondensator pracy (wentylator)
F1 : Bezpiecznik (obwód sterowania)
K1 : Stycznik
M1 : Sprężarka
M2 : Silnik wentylatora
Q1 : Wyłącznik główny
R1 : Czujnik temp. otoczenia
R2 : Czujnik temp. na tłoczeniu
R3 : Czujnik temp. na ssaniu

R4,R5 : Dodatkowy czujnik temperatury (opcjonalny)
R6 : Grzałka karteru
R7 : Grzałka odolejacza
R8 : Prędkość sprężarki
S1 : Termostat komorowy (opcjonalny)
X1 : Zacisk
****** Awaryjne połączenia elektryczne

Supply : Zasilanie
Fan : Wentylator
Alarm : Alarm
Comp : Sprężarka
CCH : Grzałka karteru
Aux : Styk pomocniczy

ENGINEERING
TOMORROW



Danfoss A/S
6430 Nordborg
Denmark

Danfoss can accept no responsibility for possible errors in catalogues, brochures and other printed material. Danfoss reserves the right to alter its products without notice. This also applies to products already on order provided that such alterations can be made without subsequential changes being necessary in specifications already agreed. All trademarks in this material are property of the respective companies. Danfoss and the Danfoss logotype are trademarks of Danfoss A/S. All rights reserved.
