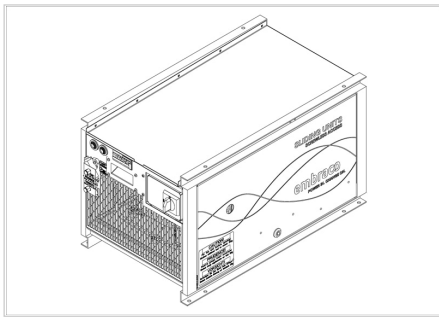


MODEL

**UDNJ2212GK**

**embraco**




**APPROVALS**




 **ENGINEERING CODE**  
643TAD6C4DA


 **APPROVED REFRIGERANT**  
R404A

 **POWER SUPPLY**  
220 - 240V 50Hz ~

 **STANDARD CONDITIONS**  
ASHRAE

 **APPLICATION**  
LBP

 **COOLING CAPACITY**  
1263 W

 **EFFICIENCY**  
1.05 W/W

DATA

### General Data

<b>Weight</b>	67 Kg
<b>Receiver</b>	2.3 L
<b>Height</b>	470 mm
<b>Length</b>	822 mm
<b>Width</b>	460 mm
<b>Power Supply</b>	220 - 240 V 50 Hz

### Electrical Data

<b>Motor Type</b>	CSR
<b>Locked Rotor Amperage (LRA)</b>	36 A
<b>Max Current</b>	8.4 A

## Spare Parts

Condenser	3R14T	2451221
Fan Kit	S4E300-XX	1996589
Valve Suction	SOLDER 1/2"	2110118
Valve Discharge	SOLDER 3/8"	2110119
Dryer	FILTER DRYER 10MM ODF	2730010
Sight Glass	SIGHT GLASS 10MM ODF	2464040
LP Pressostat	PS1-A3K	2466036
Heater	CRANKCASE HEATER 230V/55W	2464141
Flexi Hose	FLEXI HOSE 12MM ODF	2464244
HP Pressostat	P100CP-106D	2466034
Compressor	NJ2212GK	943DA11..AC
Electrical Kit	ELECTRICAL BOX	1996561

## Noise Data

Sound Power Level	64.3 dB (A)	-	-
Sound Pressure Level	at 1 m	at 5 m	at 10 m
	56.3 dB (A)	42.3 dB (A)	36.3 dB (A)

## Fan Motor

Number	1
Shaft Power	95 W
Air Flow	1450 m <sup>3</sup> /h
Blade diameter	-

## PERFORMANCE

## Rated Points

Ambient Temperature	Cooling Capacity	Power Consumption	Current	Efficiency
32.00°C	1263 W	1207 W	5.95 A	1.05 W/W

Test Condition: ASHRAE, Return Gas 32 °C, Subcooling 3K , Evaporation -23.30°C, Condensing 0 °C, Ambient 32.00°C

## Performance Curve Data

Ambient Temperature 25°C

Evaporating Temperature °C	Cooling Capacity W	Power Consumption W	Current A	Efficiency W/W
-40	609	694	3.73	0.88
-30	1073	954	4.81	1.13
-25	1309	1114	5.52	1.18
-23	1390	1173	5.78	1.18
-20	1548	1295	6.34	1.19
-15	1789	1498	7.27	1.19
-10	2034	1723	8.33	1.18

Test Condition: ASHRAE, LBP

Ambient Temperature 32°C

Evaporating Temperature °C	Cooling Capacity W	Power Consumption W	Current A	Efficiency W/W
-40	554	722	3.88	0.77
-30	975	982	4.95	0.99
-25	1190	1146	5.67	1.04
-23	1263	1207	5.95	1.05
-20	1407	1333	6.52	1.06
-15	1627	1543	7.49	1.05
-10	1849	1778	8.6	1.04

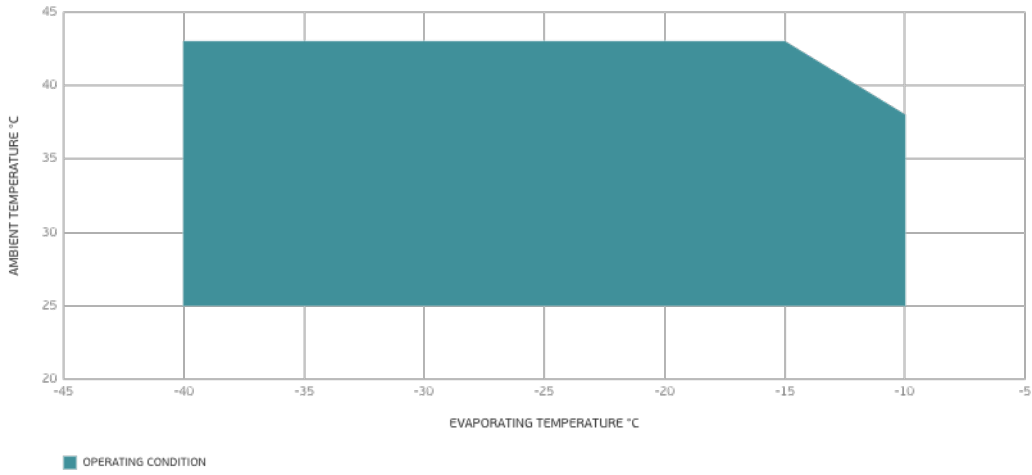
Test Condition: ASHRAE, LBP

Ambient Temperature 43°C

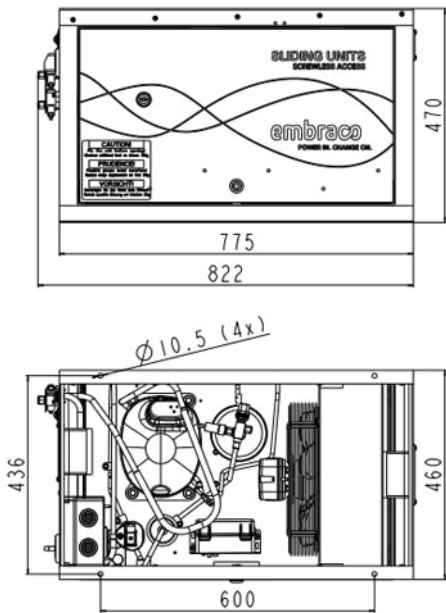
Evaporating Temperature °C	Cooling Capacity W	Power Consumption W	Current A	Efficiency W/W
-40	471	767	4.12	0.61
-30	829	1040	5.25	0.8
-25	1011	1215	6.02	0.83
-23	1074	1281	6.32	0.84
-20	1196	1418	6.94	0.84
-15	1384	1647	8	0.84
-10	1573	1904	9.22	0.83

Test Condition: ASHRAE, LBP

## Operating Envelope



## External Dimensions



## Wiring Diagram

