

ROEN EST S.p.A.

34077 Ronchi dei Legionari (GO) - Italy

Tel.: +39 0481 474140 - Fax: +39 0481 779997

http: www.roenest.com - e-mail: info@roenest.com

ROENEST
GROUP
HEAT EXCHANGERS AND MORE

Client:

Attention of:

Your rif.:

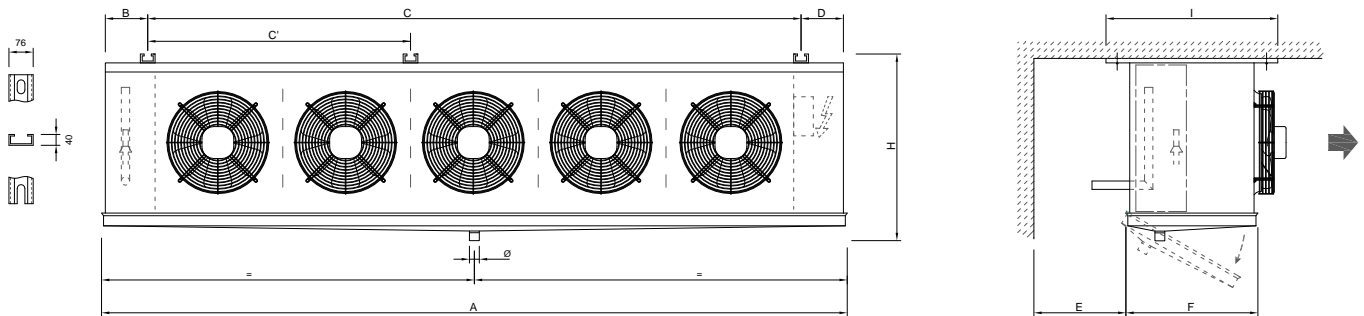
Our rif.:

FC.N.35.5.08-4M

Operator:

REVENT 1.2.94

Date: 09.01.2021 15.55



Capacity (kW) 15,31

Electric Defrost (kW) 7,6

AIR

Flow (m³/h) 11000
Temp.IN (°C) 0
Air Throw (m) 15

EXCHANGER

FINS

Fins material AL
Fin pitch (mm)
Surface (m²) 97

FLUID

R449a
Temp.Evap. (dew) (°C) -8

TUBES

Material CU
Volume (dm³) 14,3

FANS

Nr. 5
Diameter (mm) 350
RPM (min⁻¹) 1450
Supply line (V/P/Hz) 230/1/50
Current (A) 5x0,68
Capacity (W) 5x145

HEADERS

Material CU
IN (mm) 16
OUT (mm) 28

DIMENSIONS

Length(A) (mm) 2800
Width(F) (mm) 500
Height(H) (mm) 540
Fixing brackets(C) (mm) 2520
Weight (kg) 102

NOISE

Pressure level (dB(A)) 57
Distance (m) 5

Frost Factor Correction 6/24h

Ventilator data are approximated

Attention!! Thanks to the continuous evolution of the products that Roen Est develops, the measures and technical solutions reported here may not correspond to the latest versions. Please, contact the Roen Est Technical Office to have the appropriate confirmations.