

SERVICE MANUAL



Indoor unit	Outdoor unit
RDG09KLLAP	ROG09KBTB
RDG12KLLAP	ROG12KBTB
RDG14KLLAP	ROG14KBTB
RDG18KLLAP	ROG18KBTB

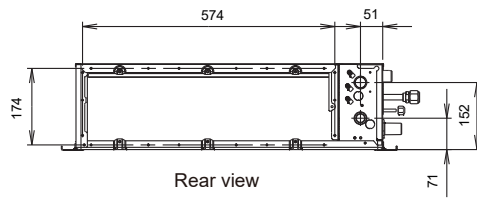
CONTENTS

SPECIFICATIONS.....	1
DIMENSIONS.....	4
REFRIGERANT SYSTEM DIAGRAM.....	8
INDOOR PCB CIRCUIT DIAGRAM.....	10
OUTDOOR PCB CIRCUIT DIAGRAM.....	11
ERROR DETECTION.....	13
PARTS (INDOOR UNIT).....	14
PARTS (OUTDOOR UNIT).....	20
ACCESSORIES.....	38

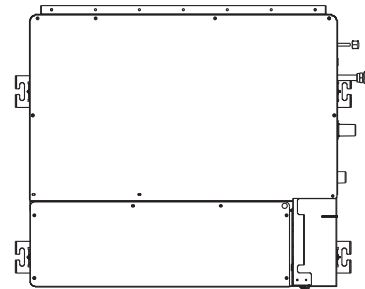
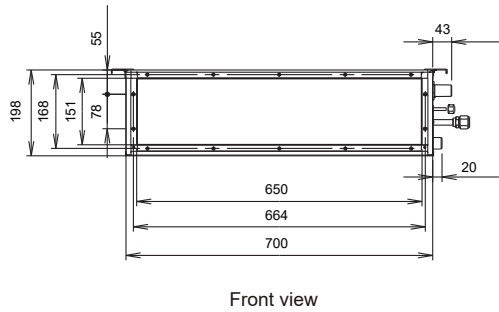
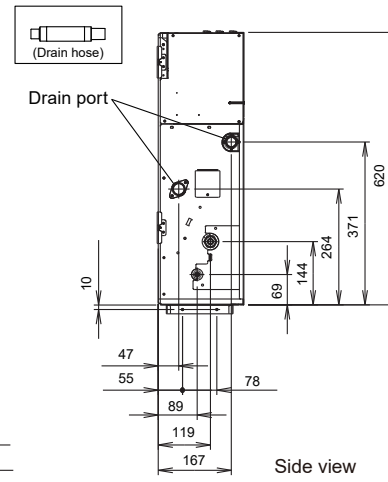
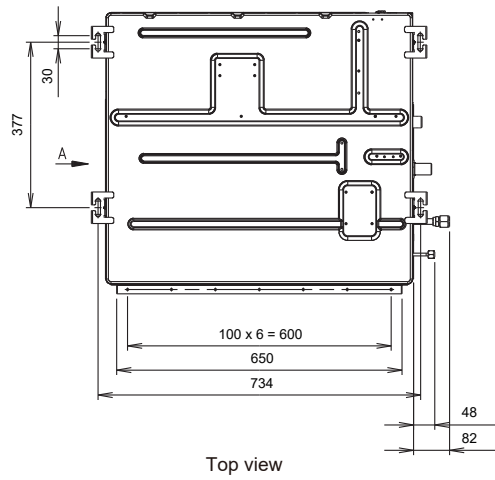
Dimensions (Indoor unit)

Models: RDG09KLLAP, RDG12KLLAP, and RDG14KLLAP

Unit: mm



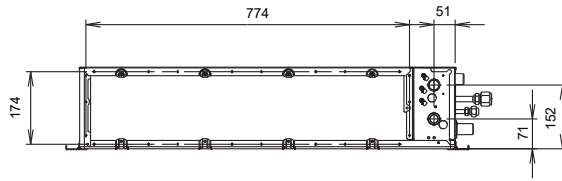
View A



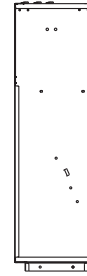
Bottom view

Model: RDG18KLLAP

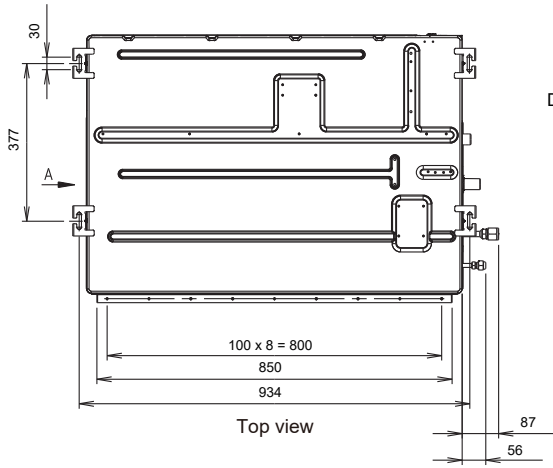
Unit: mm



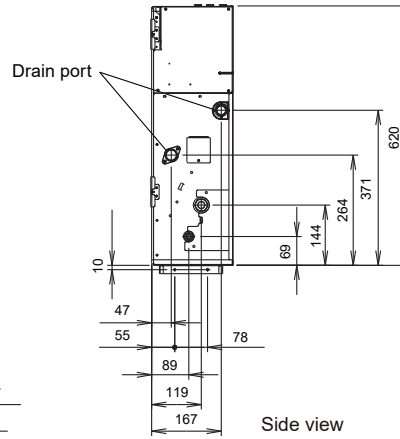
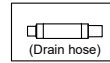
Rear view



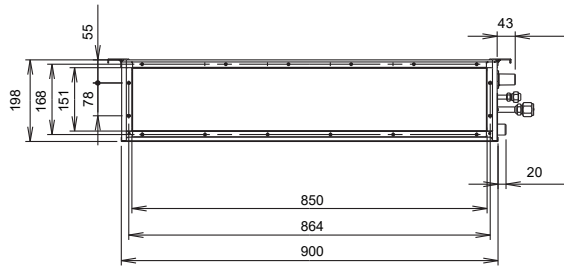
View A



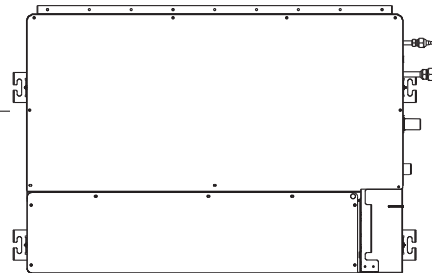
Top view



Side view



Front view

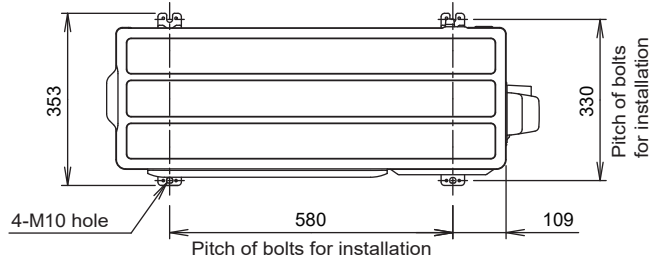


Bottom view

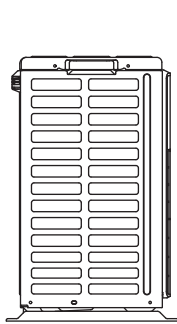
Dimensions (Outdoor unit)

Models: ROG09KBTB, ROG12KBTB, and ROG14KBTB

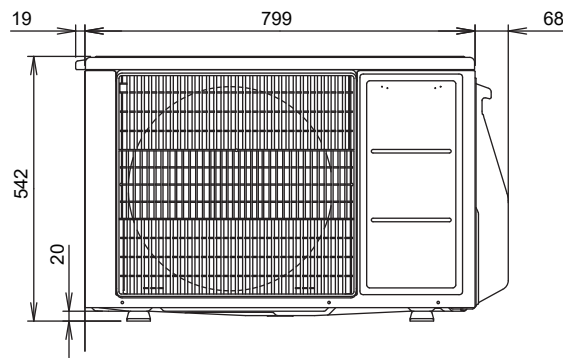
Unit: mm



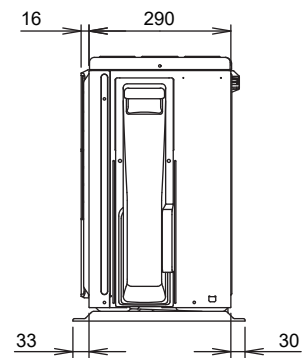
Top view



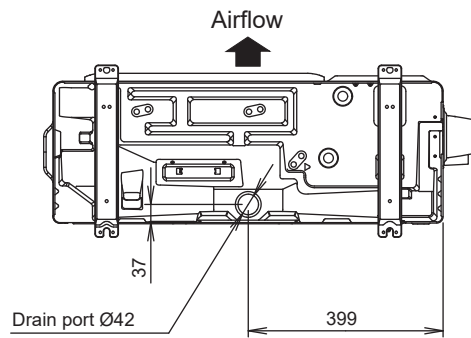
Side view



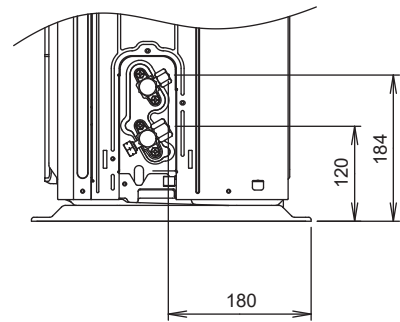
Front view



Side view



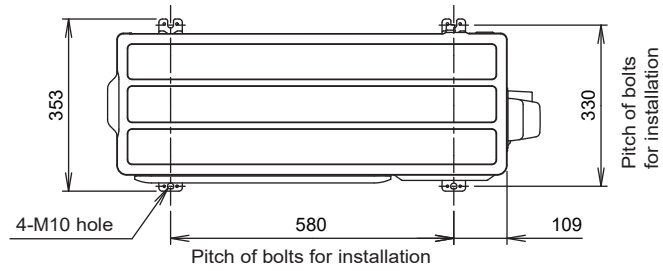
Bottom view



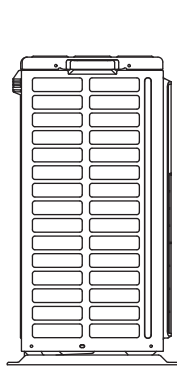
Side view (Valve part)

Model: ROG18KBTB

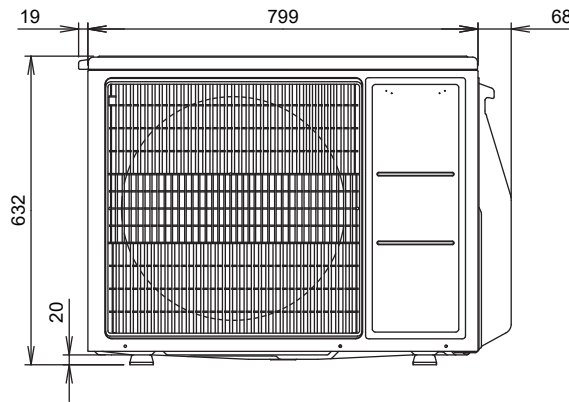
Unit: mm



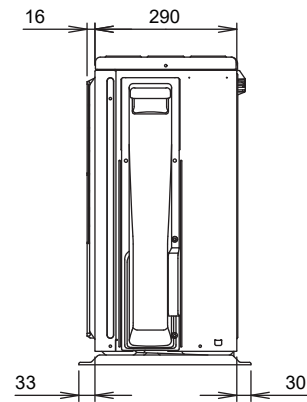
Top view



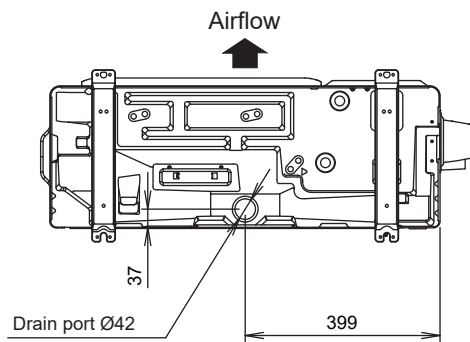
Side view



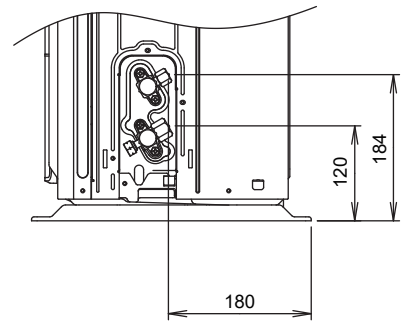
Front view



Side view



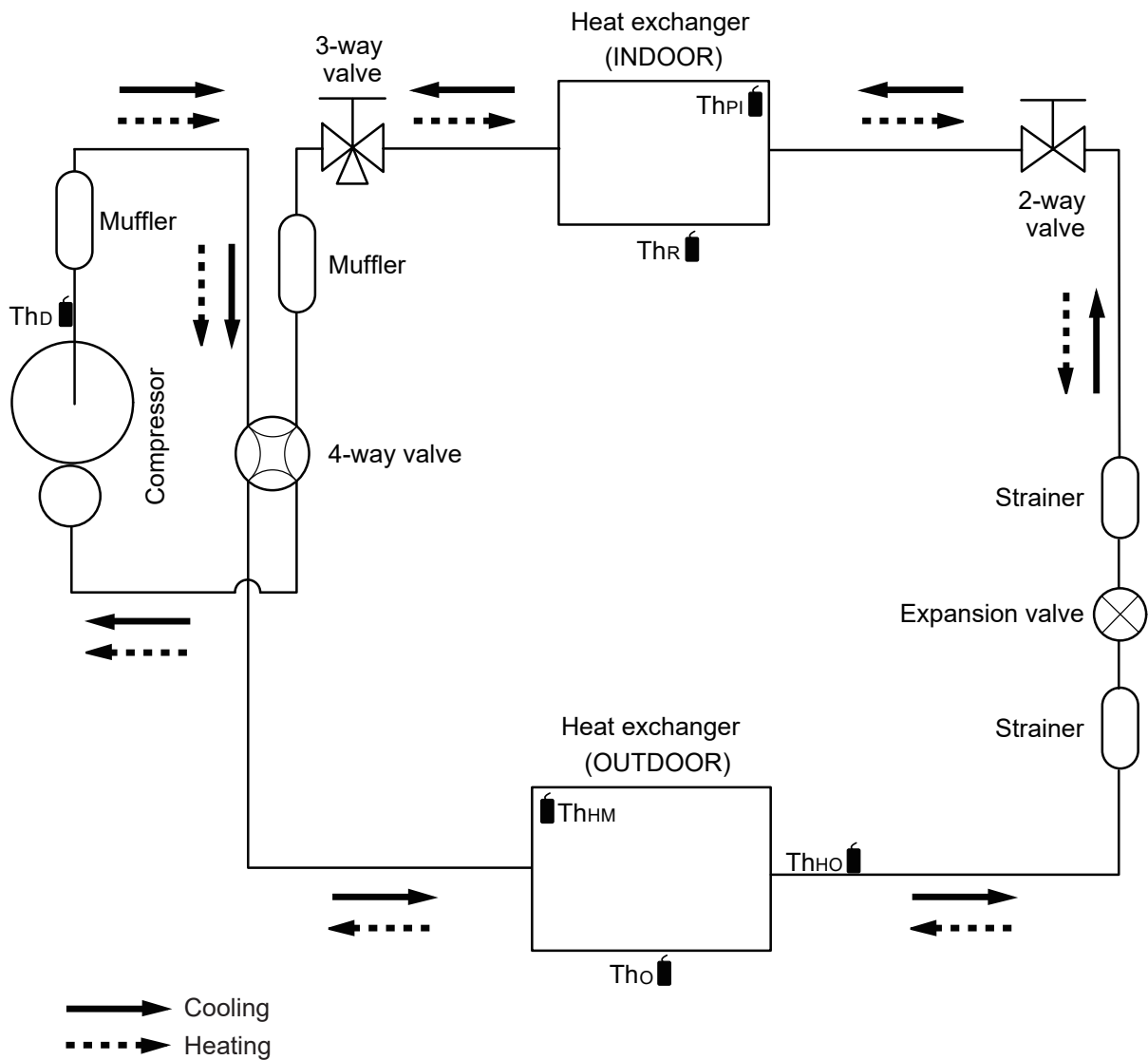
Bottom view



Side view (Valve part)

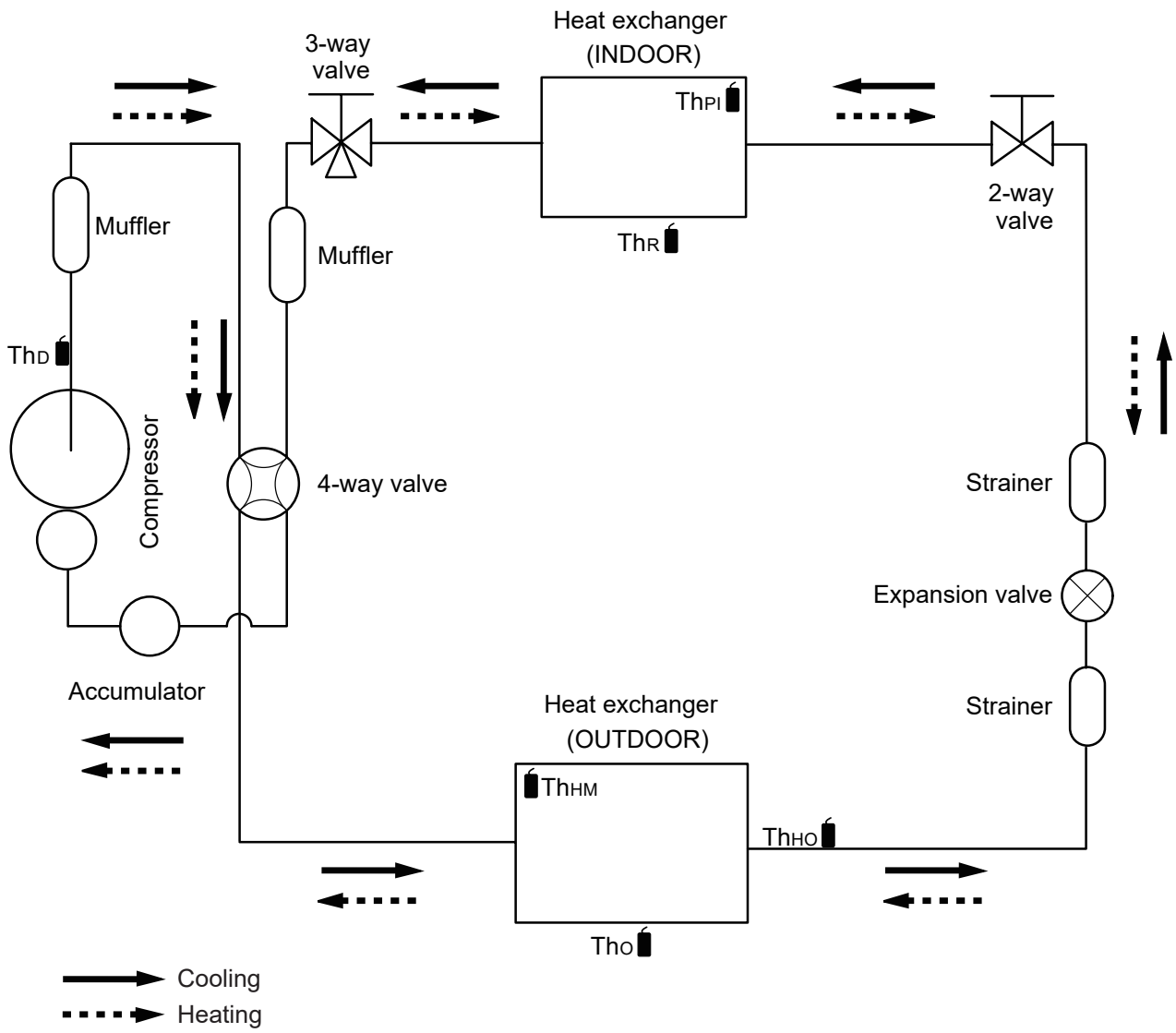
Refrigerant circuit

Models: ROG09KBTB, ROG12KBTB, and ROG14KBTB



- Th_D : Thermistor (Discharge temperature)
- Th_O : Thermistor (Outdoor temperature)
- Th_{HO} : Thermistor (Heat exchanger out temperature)
- Th_{HM} : Thermistor (Heat exchanger middle temperature)
- Th_R : Thermistor (Room temperature)
- Th_{PI} : Thermistor (Pipe temperature)

Model: ROG18KBTB

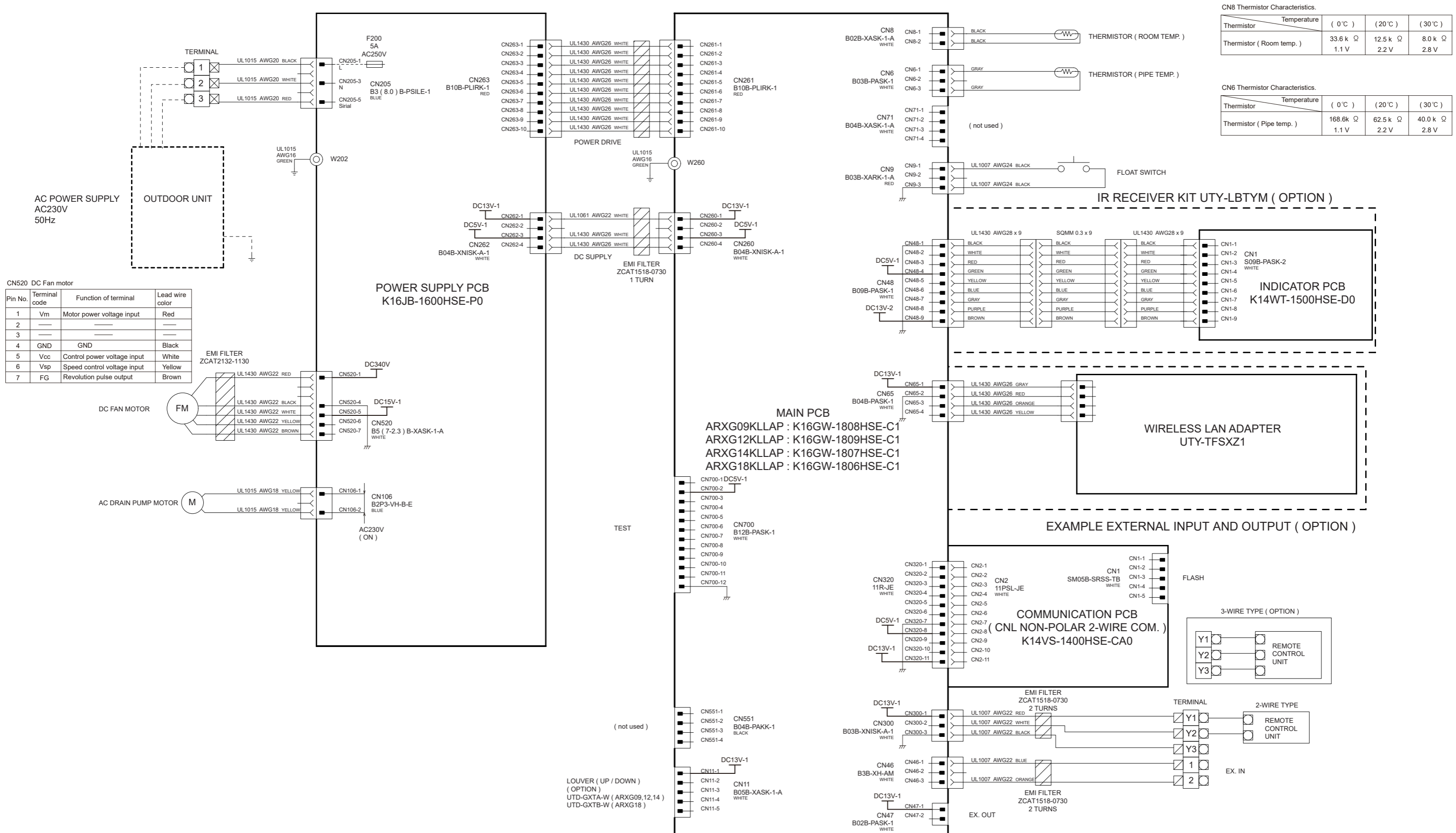


- Th_D : Thermistor (Discharge temperature)
- Th_O : Thermistor (Outdoor temperature)
- Th_{HO} : Thermistor (Heat exchanger out temperature)
- Th_{HM} : Thermistor (Heat exchanger middle temperature)
- Th_R : Thermistor (Room temperature)
- Th_{PI} : Thermistor (Pipe temperature)

INDOOR PRINTED CIRCUIT BOARD CIRCUIT DIAGRAM

Models : ARXG09KLLAP
ARXG12KLLAP
ARXG14KLLAP
ARXG18KLLAP

CONTROL UNIT
ARXG09KLLAP : EZ-0181YHSE
ARXG12KLLAP : EZ-01820HSE
ARXG14KLLAP : EZ-01814HSE
ARXG18KLLAP : EZ-01813HSE



CN520 DC Fan motor

Pin No.	Terminal code	Function of terminal	Lead wire color
1	Vm	Motor power voltage input	Red
2	—	—	—
3	—	—	—
4	GND	GND	Black
5	Vcc	Control power voltage input	White
6	Vsp	Speed control voltage input	Yellow
7	FG	Revolution pulse output	Brown

CN8 Thermistor Characteristics.

Thermistor	Temperature (0°C)	(20°C)	(30°C)
Thermistor (Room temp.)	33.6 k Ω	12.5 k Ω	8.0 k Ω
	1.1 V	2.2 V	2.8 V

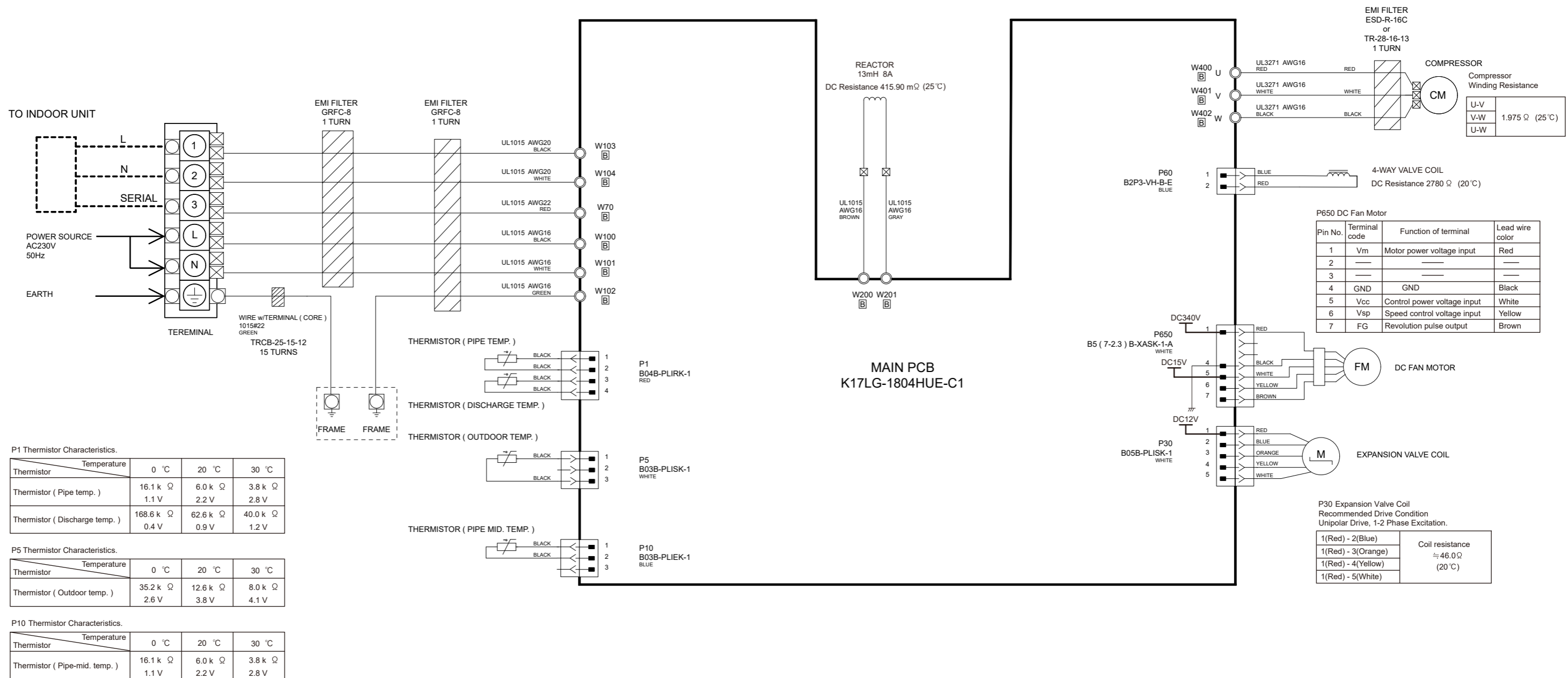
CN6 Thermistor Characteristics.

Thermistor	Temperature (0°C)	(20°C)	(30°C)
Thermistor (Pipe temp.)	168.6k Ω	62.5 k Ω	40.0 k Ω
	1.1 V	2.2 V	2.8 V

OUTDOOR PRINTED CIRCUIT BOARD CIRCUIT DIAGRAM

Model : AOYG09KBTB

INVERTER ASSEMBLY EZ-018RHUE



P1 Thermistor Characteristics.

Thermistor	Temperature	0 °C	20 °C	30 °C
Thermistor (Pipe temp.)	Resistance	16.1 k Ω	6.0 k Ω	3.8 k Ω
	Voltage	1.1 V	2.2 V	2.8 V
Thermistor (Discharge temp.)	Resistance	168.6 k Ω	62.6 k Ω	40.0 k Ω
	Voltage	0.4 V	0.9 V	1.2 V

P5 Thermistor Characteristics.

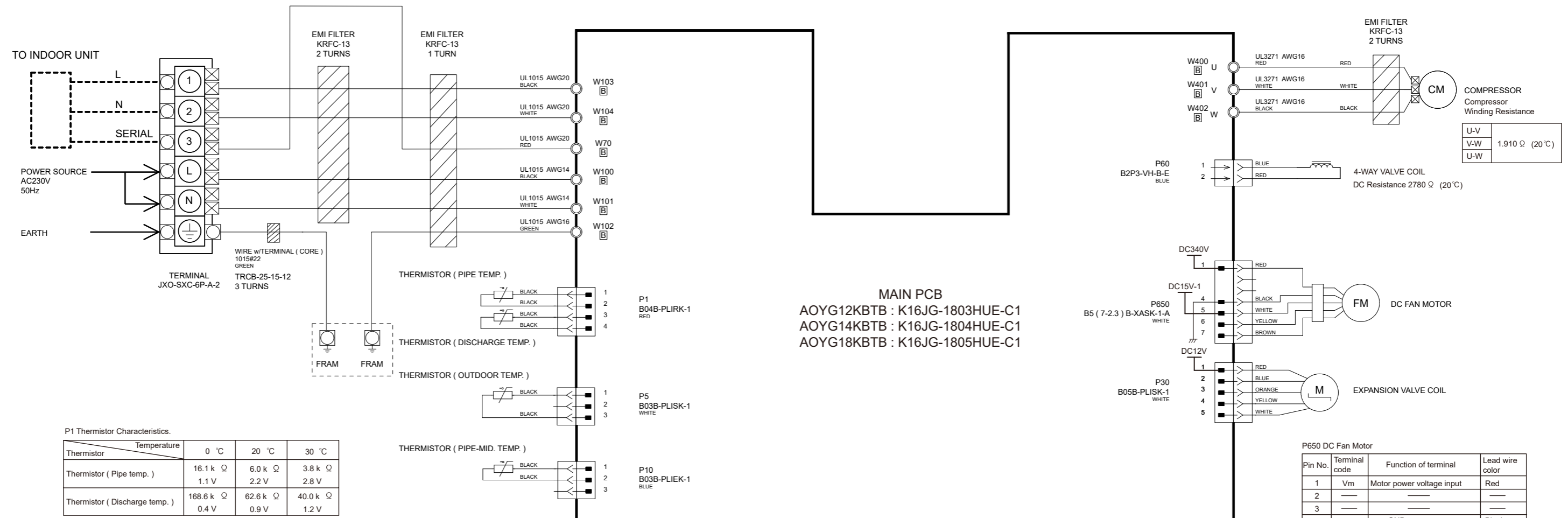
Thermistor	Temperature	0 °C	20 °C	30 °C
Thermistor (Outdoor temp.)	Resistance	35.2 k Ω	12.6 k Ω	8.0 k Ω
	Voltage	2.6 V	3.8 V	4.1 V

P10 Thermistor Characteristics.

Thermistor	Temperature	0 °C	20 °C	30 °C
Thermistor (Pipe-mid. temp.)	Resistance	16.1 k Ω	6.0 k Ω	3.8 k Ω
	Voltage	1.1 V	2.2 V	2.8 V

Models : ROG12KBTB
 ROG14KBTB
 ROG18KBTB

INVERTER ASSEMBLY
 ROG12KBTB : EZ-018SHUE
 ROG14KBTB : EZ-018THUE
 ROG18KBTB : EZ-018THUE



COMPRESSOR
 Compressor Winding Resistance

U-V	
V-W	1.910 Ω (20 °C)
U-W	

4-WAY VALVE COIL
 DC Resistance 2780 Ω (20 °C)

P650 DC Fan Motor

Pin No.	Terminal code	Function of terminal	Lead wire color
1	Vm	Motor power voltage input	Red
2	---	---	---
3	---	---	---
4	GND	GND	Black
5	Vcc	Control power voltage input	White
6	Vsp	Speed control voltage input	Yellow
7	FG	Revolution pulse output	Brown

P30 Expansion Valve Coil
 Recommended Drive Condition
 Unipolar Drive, 1-2 Phase Excitation.

1(Red) - 2(Blue)	Coil resistance \approx 46.0 Ω (20 °C)
1(Red) - 3(Orange)	
1(Red) - 4(Yellow)	
1(Red) - 5(White)	

P1 Thermistor Characteristics.

Thermistor	Temperature	0 °C	20 °C	30 °C
Thermistor (Pipe temp.)	Resistance	16.1 k Ω	6.0 k Ω	3.8 k Ω
	Voltage	1.1 V	2.2 V	2.8 V
Thermistor (Discharge temp.)	Resistance	168.6 k Ω	62.6 k Ω	40.0 k Ω
	Voltage	0.4 V	0.9 V	1.2 V

P5 Thermistor Characteristics.

Thermistor	Temperature	0 °C	20 °C	30 °C
Thermistor (Outdoor temp.)	Resistance	35.2 k Ω	12.6 k Ω	8.0 k Ω
	Voltage	2.6 V	3.8 V	4.1 V

P10 Thermistor Characteristics.

Thermistor	Temperature	0 °C	20 °C	30 °C
Thermistor (Pipe-mid. temp.)	Resistance	16.1 k Ω	6.0 k Ω	3.8 k Ω
	Voltage	1.1 V	2.2 V	2.8 V

Error codes

If you use a wireless remote controller, the lamp on the photo detector unit will output error codes by way of blinking patterns. If you use a wired remote controller, error codes will appear on the remote control display. Refer to the lamp blinking patterns and error codes in the table. An error display is displayed only during operation.

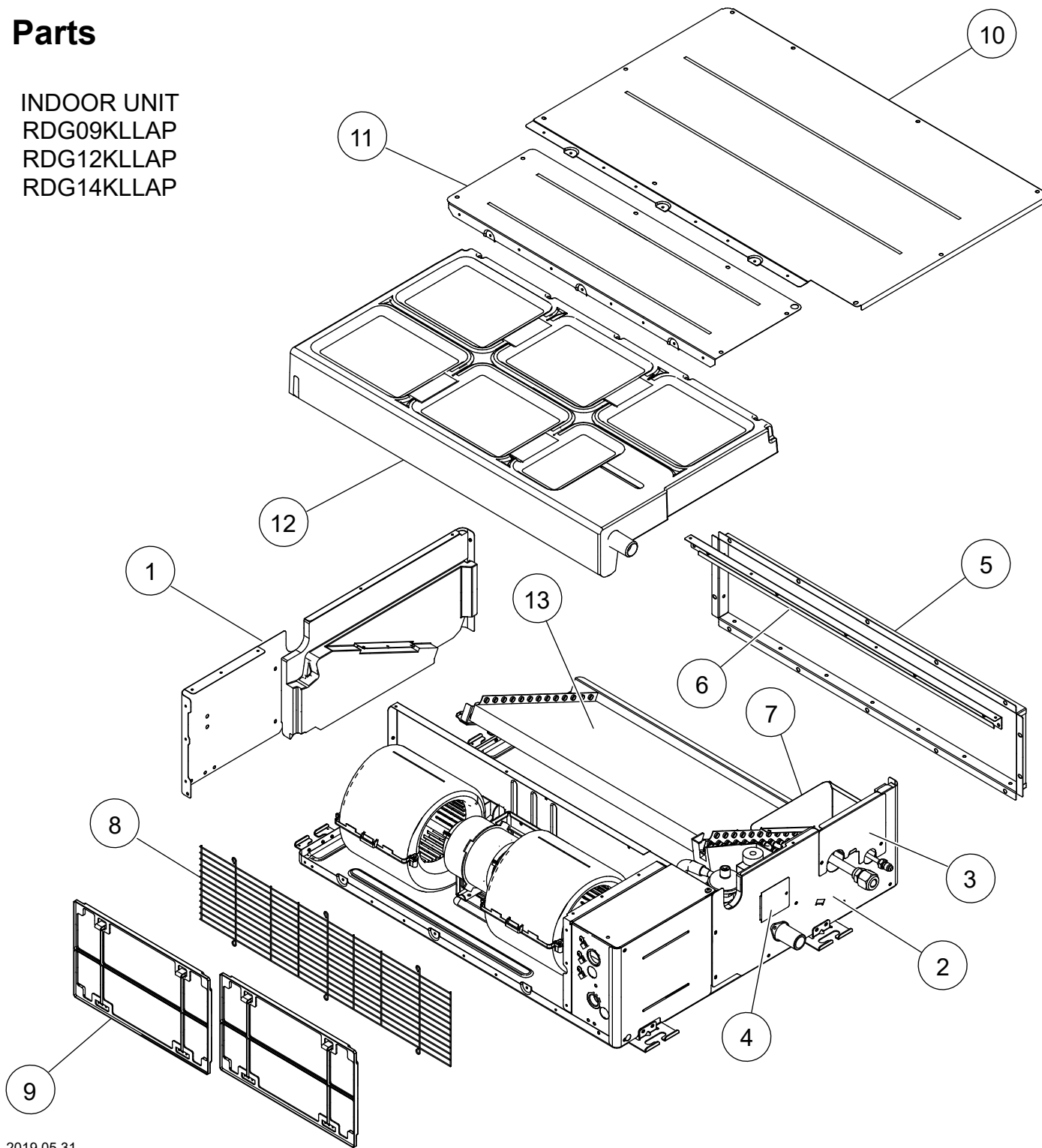
Error display			Error code	Description
OPERATION lamp (green)	TIMER lamp (orange)	ECONOMY lamp (green)		
●(1)	●(1)	◇	11	Serial communication error
●(1)	●(2)	◇	12	• Wired remote controller communication error • Server room control communication error
●(1)	●(5)	◇	15	Check run unfinished Automatic airflow adjustment error
●(1)	●(6)	◇	16	Peripheral unit transmission PCB connection error
●(1)	●(8)	◇	18	External communication error
●(2)	●(1)	◇	21	Unit number or Refrigerant circuit address setting error [Simultaneous Multi]
●(2)	●(2)	◇	22	Indoor unit capacity error
●(2)	●(3)	◇	23	Combination error
●(2)	●(4)	◇	24	• Connection unit number error (indoor secondary unit) [Simultaneous Multi] • Connection unit number error (indoor unit or branch unit) [Flexible Multi]
●(2)	●(6)	◇	26	Indoor unit address setting error
●(2)	●(7)	◇	27	Primary unit, secondary unit setup error [Simultaneous Multi]
●(2)	●(9)	◇	29	Connection unit number error in wired remote controller system
●(3)	●(1)	◇	31	Power supply interruption error
●(3)	●(2)	◇	32	Indoor unit PCB model information error
●(3)	●(3)	◇	33	Indoor unit motor electricity consumption detection error
●(3)	●(5)	◇	35	Manual auto switch error
●(3)	●(9)	◇	39	Indoor unit power supply error for fan motor
●(3)	●(10)	◇	3A	Indoor unit communication circuit (wired remote controller) error
●(4)	●(1)	◇	41	Room temp. sensor error
●(4)	●(2)	◇	42	Indoor unit heat ex. middle temp. sensor error
●(4)	●(4)	◇	44	Human sensor error
●(5)	●(1)	◇	51	Indoor unit fan motor error
●(5)	●(3)	◇	53	Drain pump error
●(5)	●(4)	◇	54	Electric air cleaner reverse VDD error
●(5)	●(5)	◇	55	Filter set error
●(5)	●(7)	◇	57	Damper error
●(5)	●(8)	◇	58	Intake grille error
●(5)	●(9)	◇	59	Indoor unit fan motor 2 error (Left side fan)
●(5)	●(10)	◇	5A	Indoor unit fan motor 3 error (Right side fan)
●(5)	●(15)	◇	5U	Indoor unit error

Error display			Error code	Description
OPERATION lamp (green)	TIMER lamp (orange)	ECONOMY lamp (green)		
●(6)	●(1)	◇	61	Outdoor unit reverse/missing phase and wiring error
●(6)	●(2)	◇	62	Outdoor unit main PCB model information error or communication error
●(6)	●(3)	◇	63	Inverter error
●(6)	●(4)	◇	64	Active filter error, PFC circuit error
●(6)	●(5)	◇	65	Trip terminal L error
●(6)	●(8)	◇	68	Outdoor unit rush current limiting resistor temp. rise error
●(6)	●(10)	◇	6A	Display PCB microcomputers communication error
●(7)	●(1)	◇	71	Discharge temp. sensor error
●(7)	●(2)	◇	72	Compressor temp. sensor error
●(7)	●(3)	◇	73	Outdoor unit Heat Ex. liquid temp. sensor error
●(7)	●(4)	◇	74	Outdoor temp. sensor error
●(7)	●(5)	◇	75	Suction Gas temp. sensor error
●(7)	●(6)	◇	76	• 2-way valve temp. sensor error • 3-way valve temp. sensor error
●(7)	●(7)	◇	77	Heat sink temp. sensor error
●(8)	●(2)	◇	82	• Sub-cool Heat Ex. gas inlet temp. sensor error • Sub-cool Heat Ex. gas outlet temp. sensor error
●(8)	●(3)	◇	83	Liquid pipe temp. sensor error
●(8)	●(4)	◇	84	Current sensor error
●(8)	●(6)	◇	86	• Discharge pressure sensor error • Suction pressure sensor error • High pressure switch error
●(9)	●(4)	◇	94	Trip detection
●(9)	●(5)	◇	95	Compressor rotor position detection error (permanent stop)
●(9)	●(7)	◇	97	Outdoor unit fan motor 1 error
●(9)	●(8)	◇	98	Outdoor unit fan motor 2 error
●(9)	●(9)	◇	99	4-way valve error
●(9)	●(10)	◇	9A	Coil (expansion valve) error
●(10)	●(1)	◇	A1	Discharge temp. error
●(10)	●(3)	◇	A3	Compressor temp. error
●(10)	●(4)	◇	A4	High pressure error
●(10)	●(5)	◇	A5	Low pressure error
●(13)	●(2)	◇	J2	Branch boxes error [Flexible Multi]

Display mode ● : 0.5s ON / 0.5s OFF
◇ : 0.1s ON / 0.1s OFF
() : Number of flashing

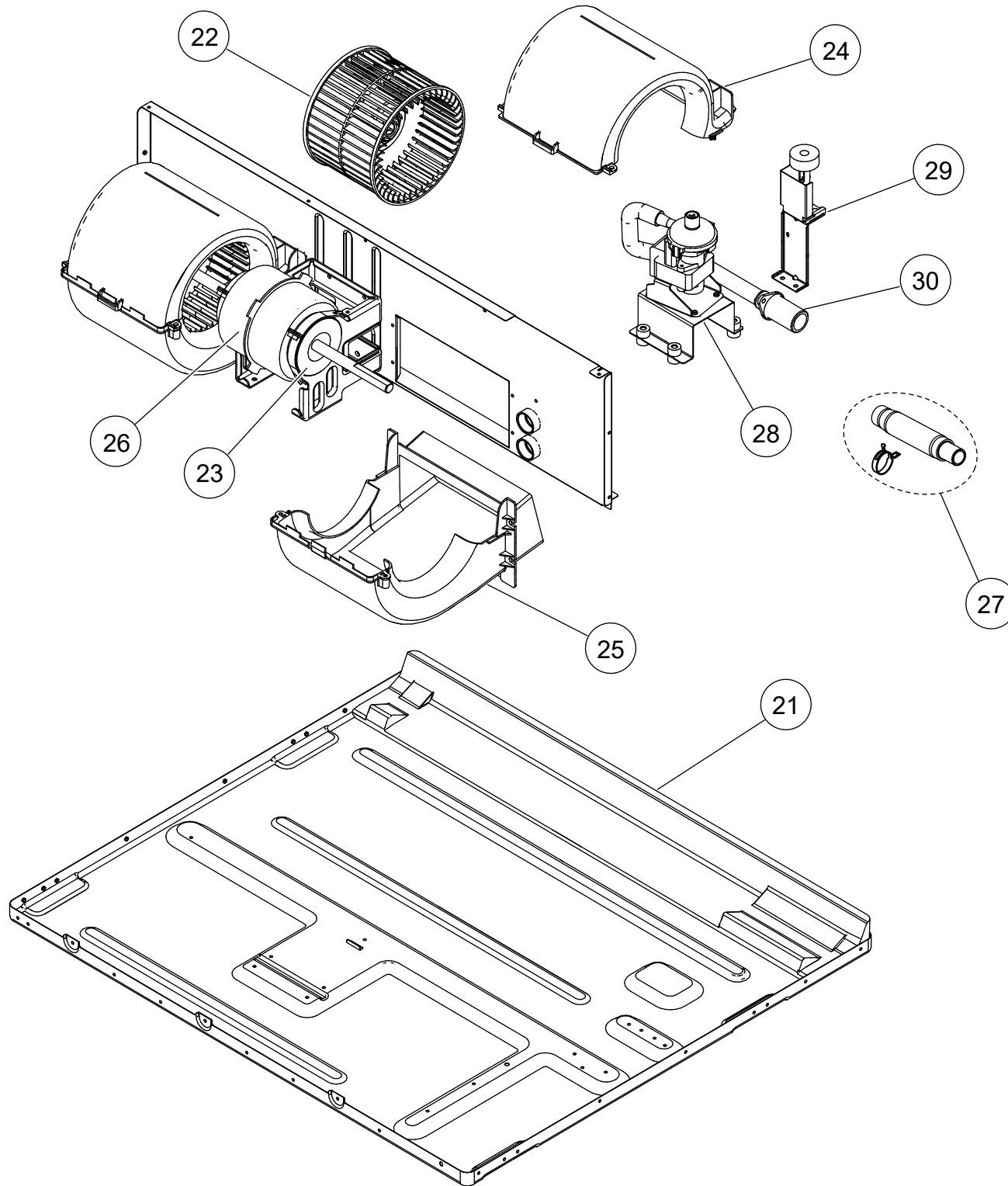
Parts

INDOOR UNIT
RDG09KLLAP
RDG12KLLAP
RDG14KLLAP



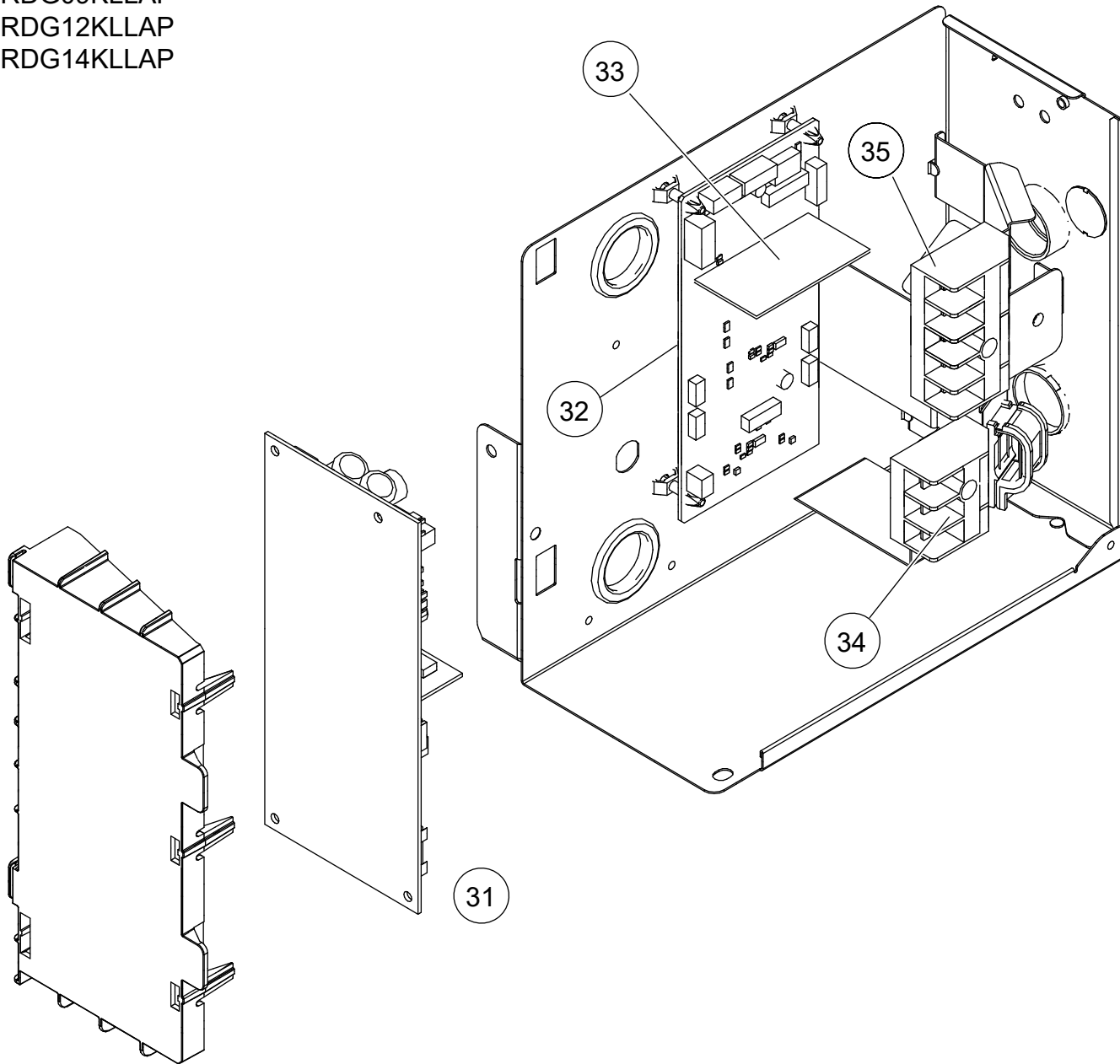
Ref	Description	Parts number
1	Side Panel R Sub Assy	9379906012
2	Side Panel L Sub Assy	9379907019
3	Pipe Panel Sub Assy	9379900003
4	Panel (Window) Sub Assy	9379915007
5	Outlet Frame Assy	9380042006
6	Front Panel (2 Fan)	9380594000
7	Valve Cover Sub Assy	9379576017
8	Fan Guard (2 Fan)	9380589006
9	Air Filter	9379574006
10	Main Panel (2 Fan)	9380602019
11	Cabinet Panel (2 Fan)	9380597001
12	Drain Pan Sub Assy	9381209002
13	Evaporator Total Assy	9380682486

INDOOR UNIT
RDG09KLLAP
RDG12KLLAP
RDG14KLLAP



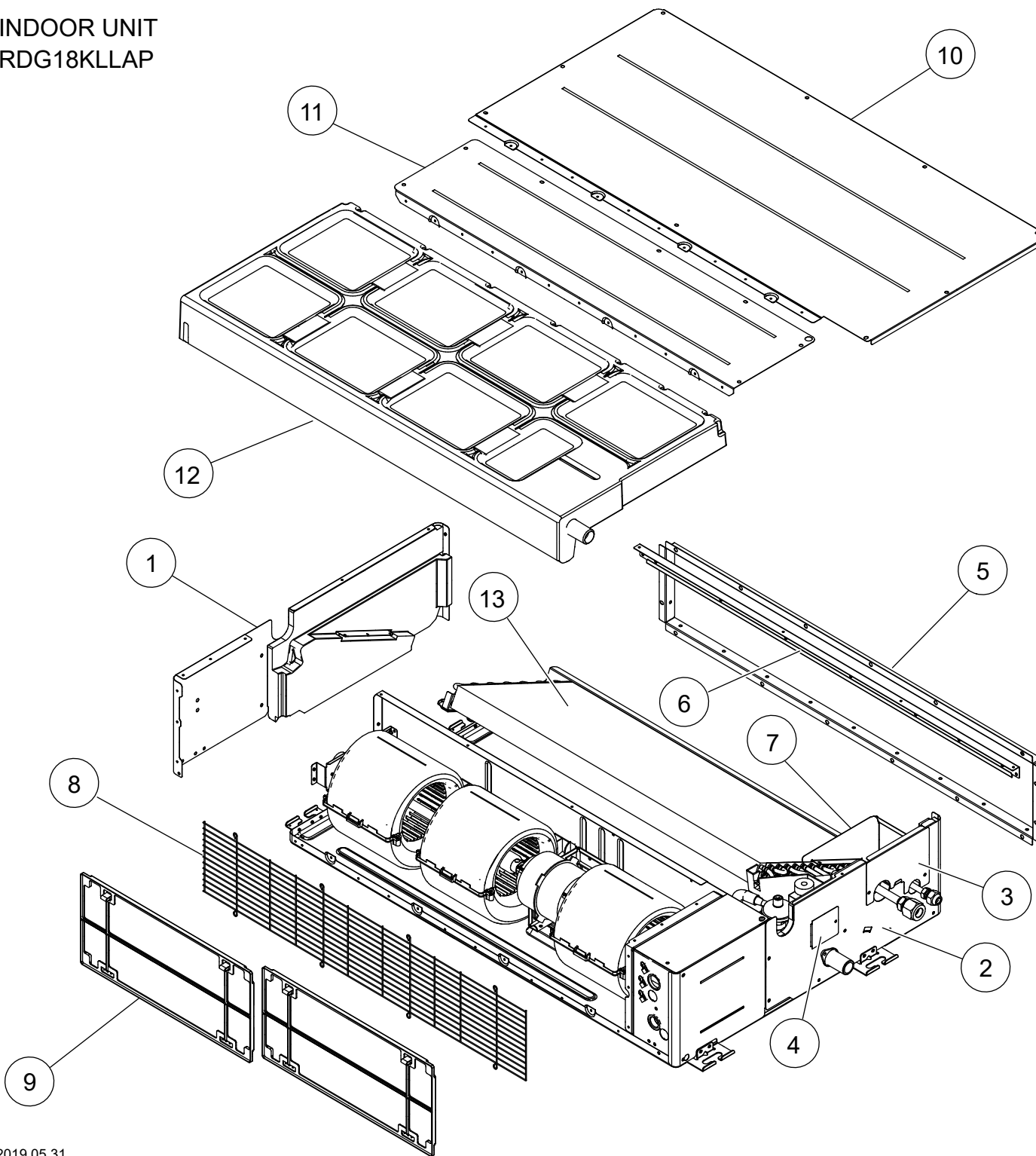
Ref	Description	Parts number
21	Top Panel Sub Assy	9379908030
22	Sirroco Fan Assy	9379570015
23	Rubber (Vibration Proof)	9379644006
24	Casing B	9379572019
25	Casing U	9379571012
26	Fan Motor Assy	9379047159
27	Hose Sub Assy	9378450097
28	Drain Pump Sub Assy	9379914062
29	Float Switch Sub Assy	9378593039
30	Drain Hose Assy	9379913003

INDOOR UNIT
 RDG09KLLAP
 RDG12KLLAP
 RDG14KLLAP



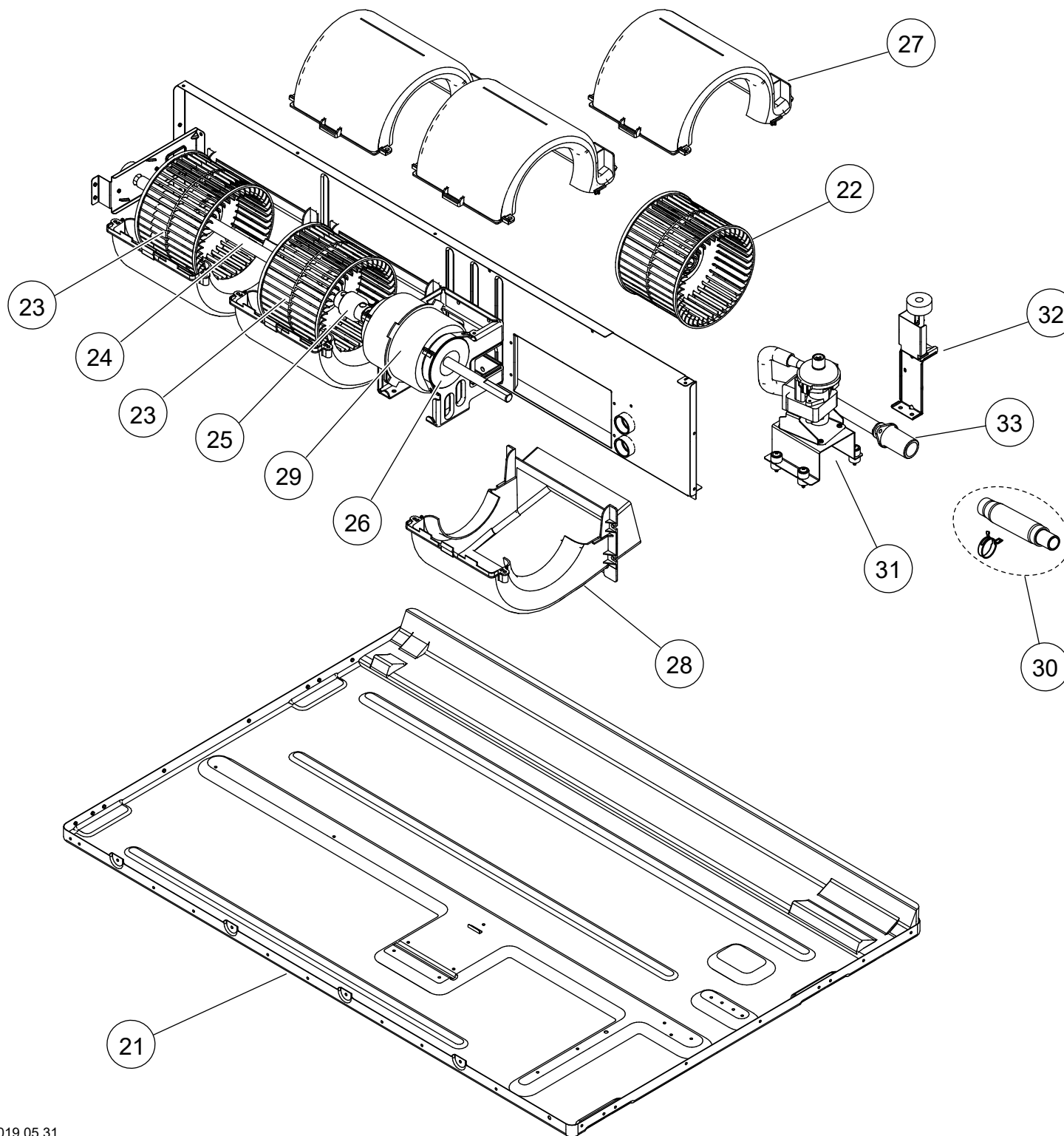
Ref	Description	Parts number
31	Power Supply PCB	9710661006
32	Main PCB (ARXG09KLLAP)	9710624209
32	Main PCB (ARXG12KLLAP)	9710624216
32	Main PCB (ARXG14KLLAP)	9710624148
33	2 way Remote PCB	9710019005
34	Terminal 3P	9900568009
35	Terminal 3P (Wired Remote)	9900896003
--	Room Thermistor	9900653019
--	Pipe Thermistor	9900942045

INDOOR UNIT
RDG18KLLAP



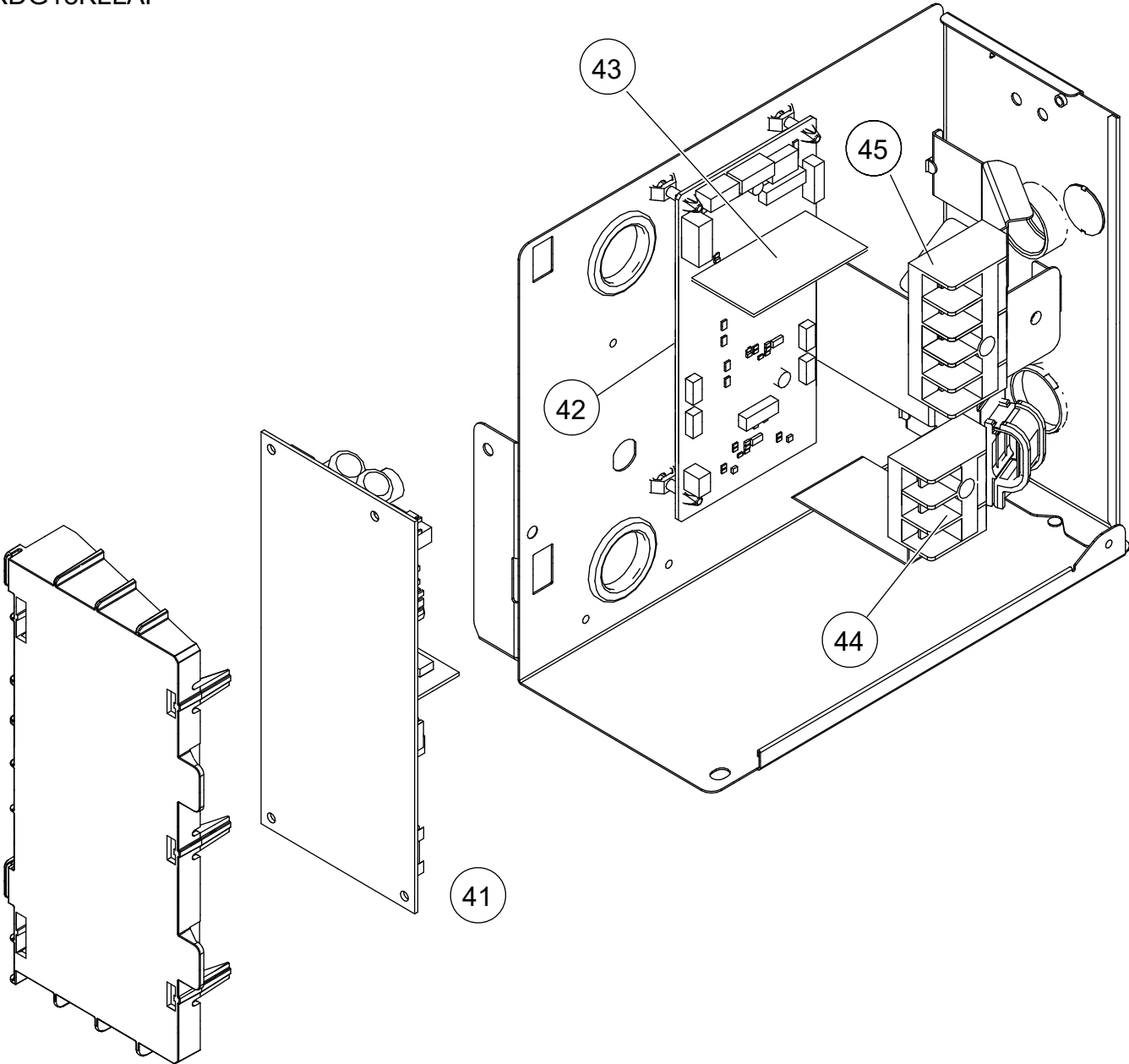
Ref	Description	Parts number
1	Side Panel R Sub Assy	9379906012
2	Side Panel L Sub Assy	9379907019
3	Pipe Panel Sub Assy	9379900003
4	Panel (Window) Sub Assy	9379915007
5	Outlet Frame Assy	9380042013
6	Front Panel (3 Fan)	9380595007
7	Valve Cover Sub Assy	9379576017
8	Fan Guard (3 Fan)	9380590002
9	Air Filter	9379575003
10	Main Panel (3 Fan)	9380603016
11	Cabinet Panel (3 Fan)	9380598008
12	Drain Pan Sub Assy	9379901178
13	Evaporator Total Assy	9380682493

INDOOR UNIT
RDG18KLLAP



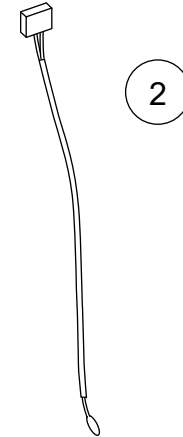
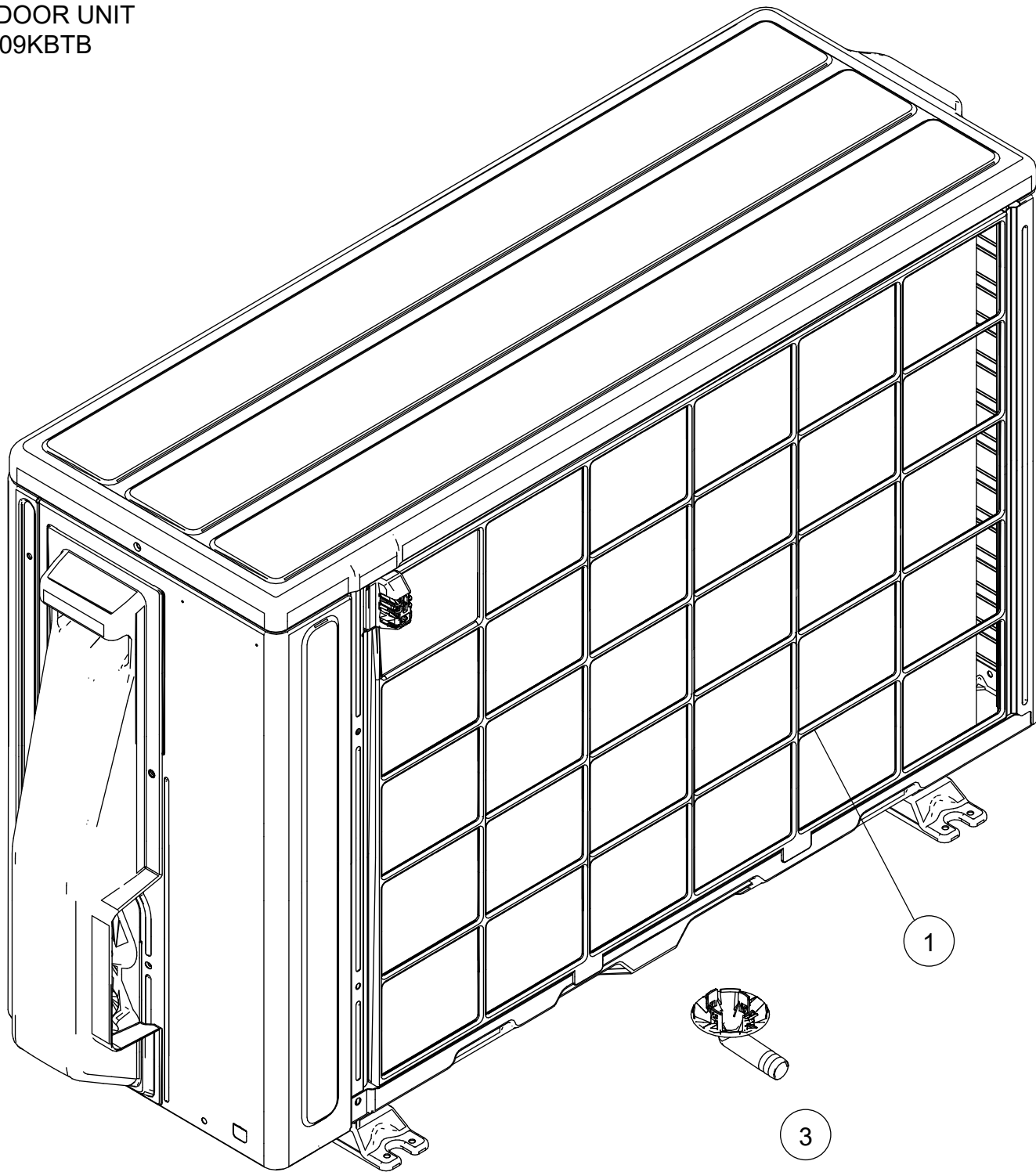
Ref	Description	Parts number
21	Top Panel Sub Assy	9379908047
22	Sirroco Fan Assy	9379570022
23	Sirroco Fan Assy	9379570039
24	Shaft Assy	9381052004
25	Joint Assy	9378038011
26	Rubber (Vibration Proof)	9379644006
27	Casing B	9379572019
28	Casing U	9379571012
29	Fan Motor Assy	9379047142
30	Hose Sub Assy	9378450097
31	Drain Pump Sub Assy	9379914062
32	Float Switch Sub Assy	9378593039
33	Drain Hose Assy	9379913003

INDOOR UNIT
RDG18KLLAP



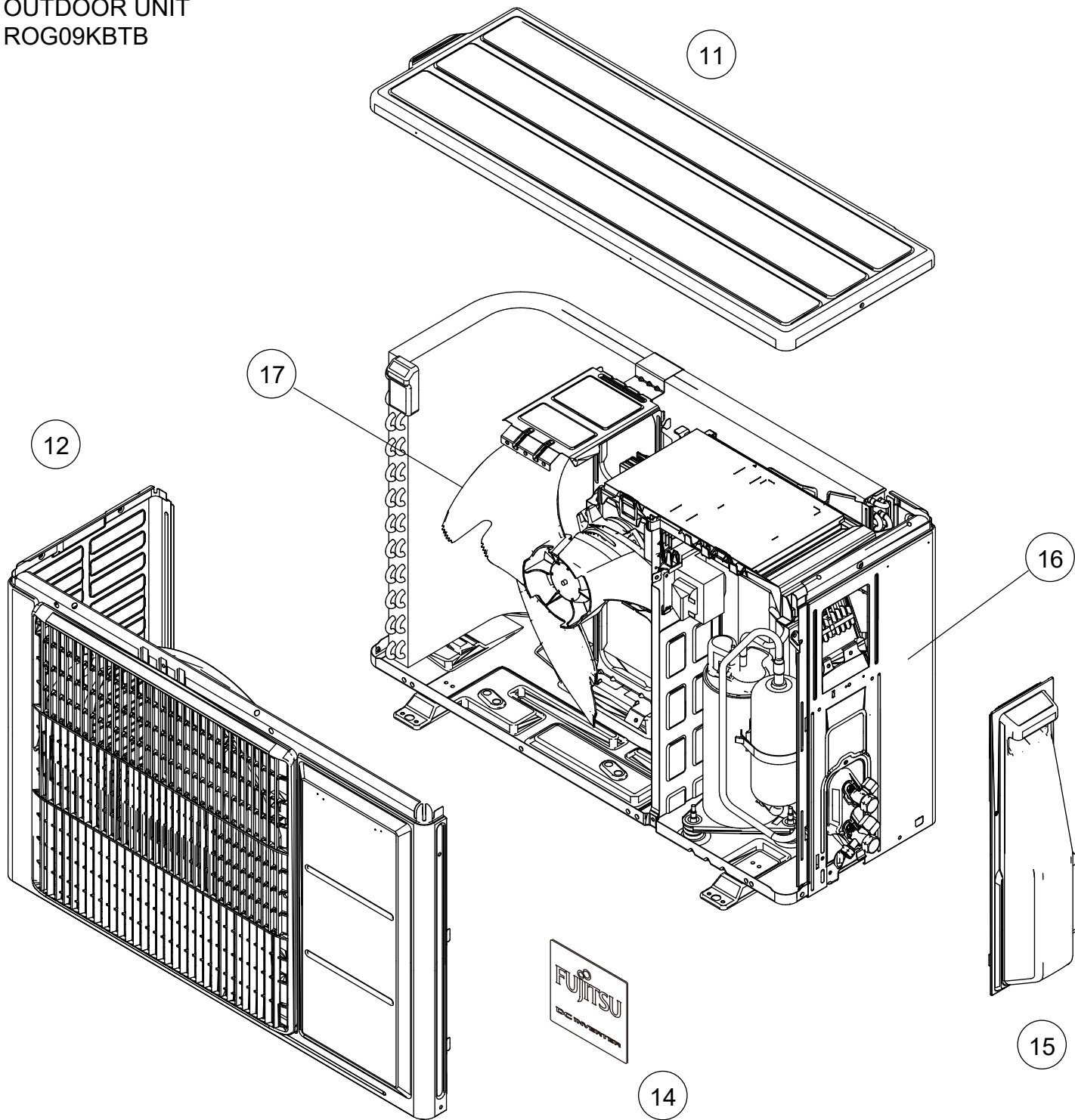
Ref	Description	Parts number
41	Power Supply PCB	9710661006
42	Main PCB	9710624131
43	2 way Remote PCB	9710019005
44	Terminal 3P	9900568009
45	Terminal 3P (Wired Remote)	9900896003
--	Room Thermistor	9900653019
--	Pipe Thermistor	9900942045

OUTDOOR UNIT
ROG09KBTB

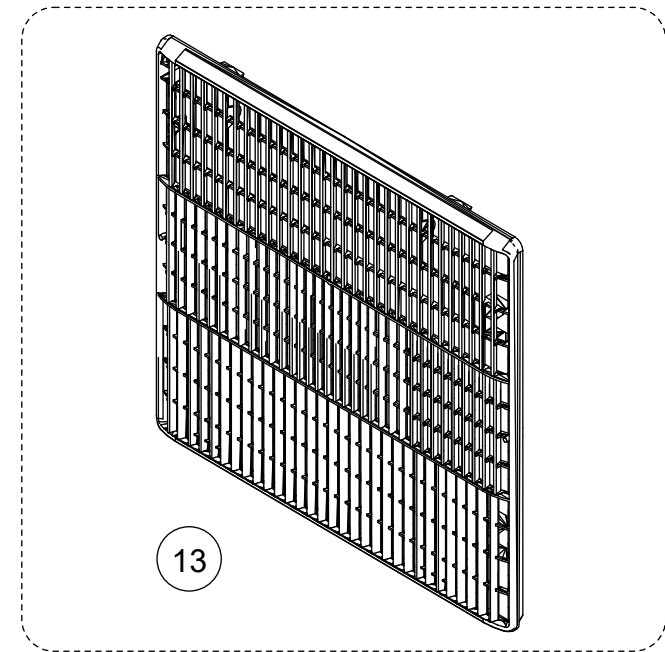


Ref.	Description	Part number
1	Protective net assy	9322811011
2	Outdoor thermistor	9900565060
3	Drain pipe	9322144003

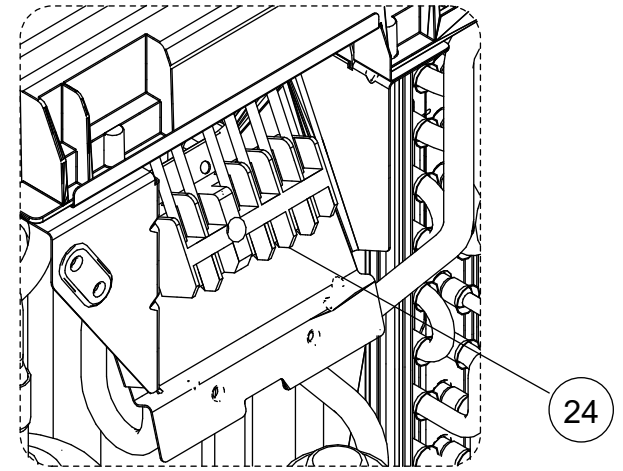
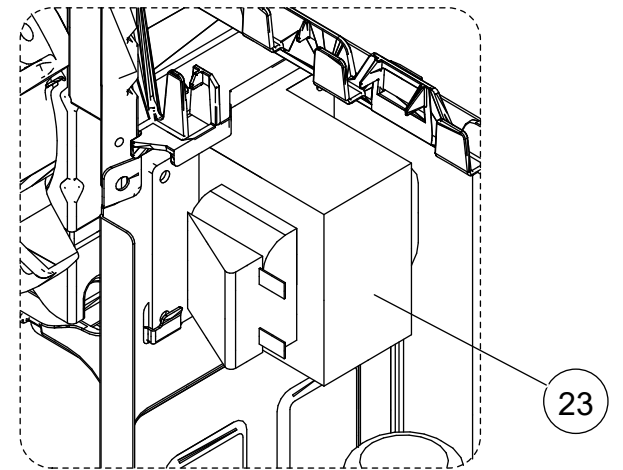
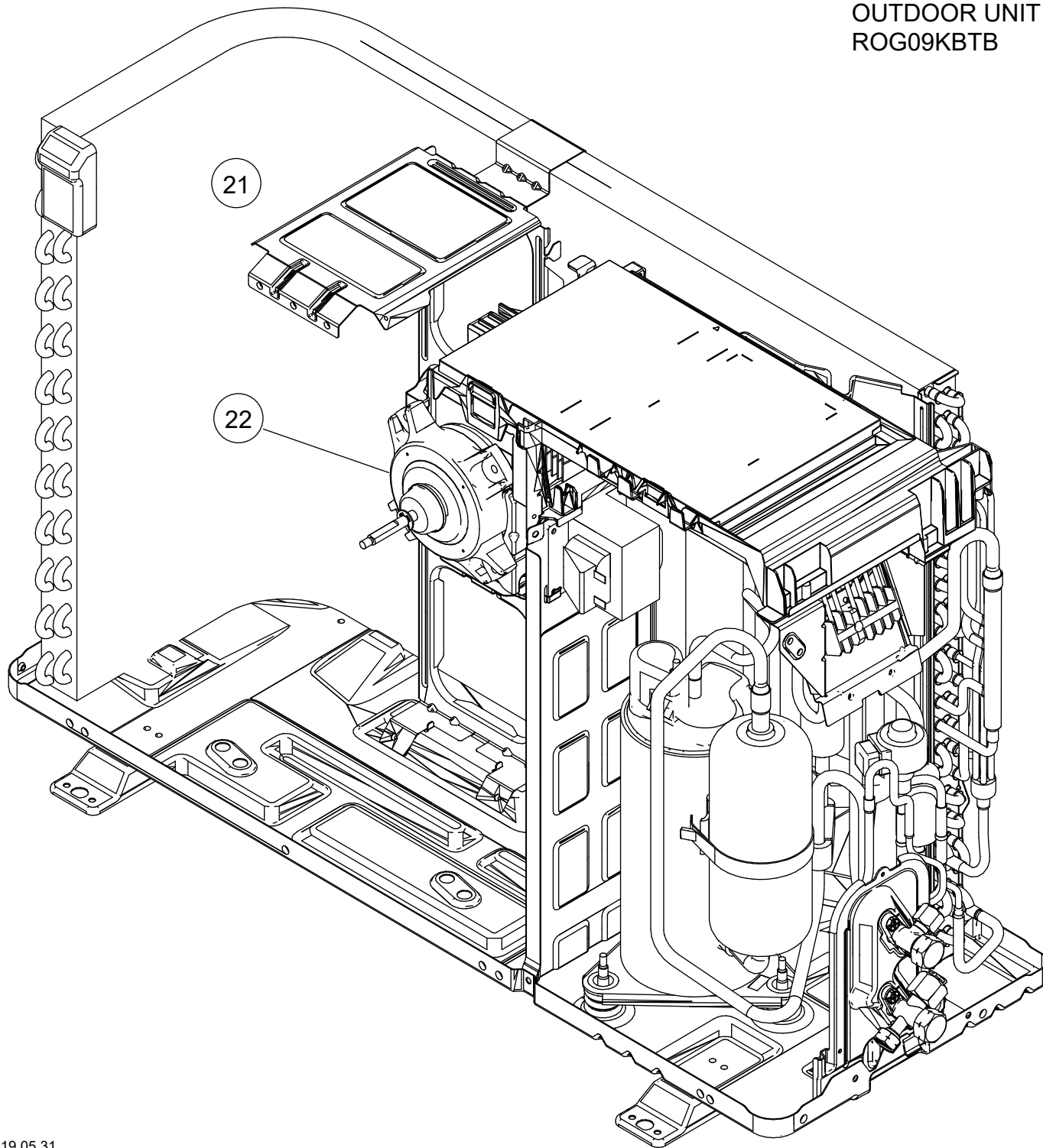
OUTDOOR UNIT
ROG09KBTB



Ref.	Description	Part number
11	Top panel assy	9322556028
12	Front panel assy	9322555014
13	Blow grille	9322135001
14	Emblem	9319151007
15	Switch cover assy	9322570000
16	Cabinet right assy	9322552020
17	Propeller fan	9322136008

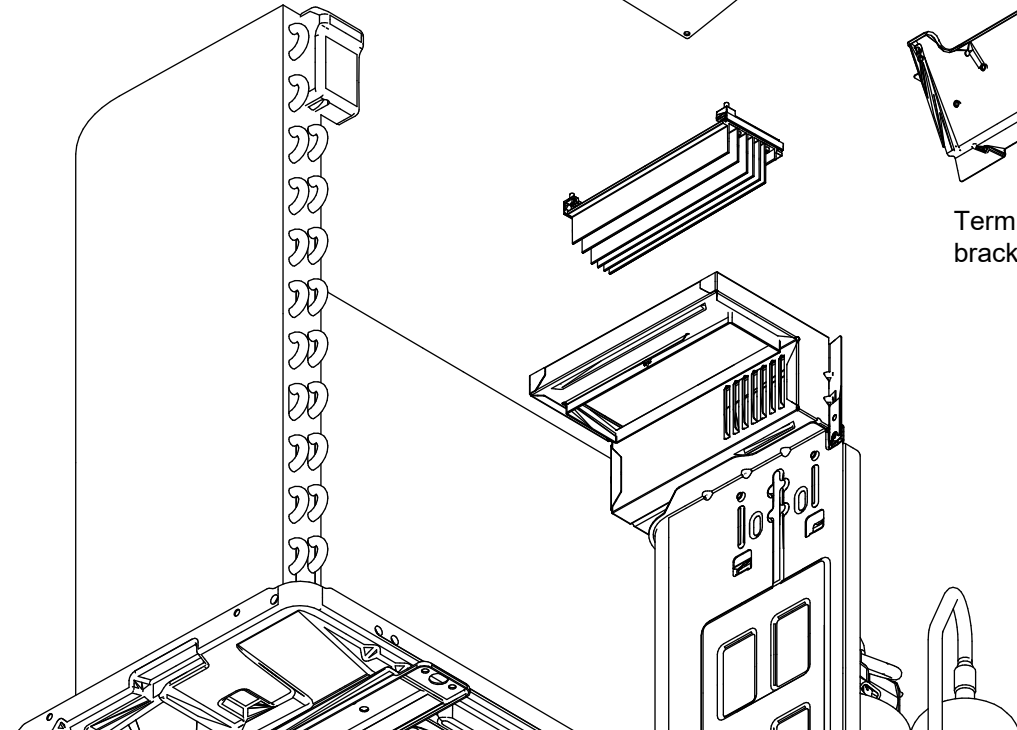
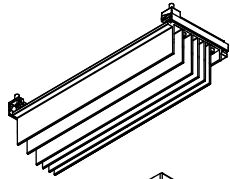
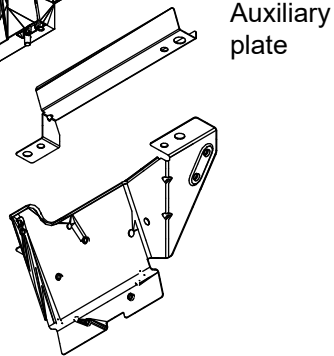
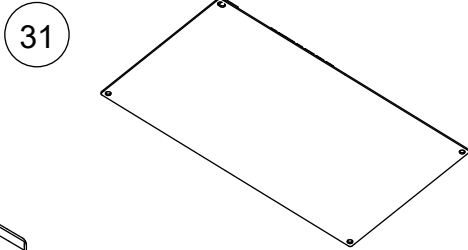
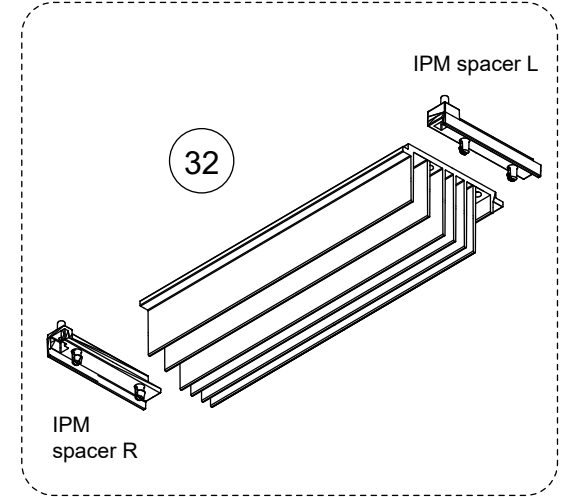
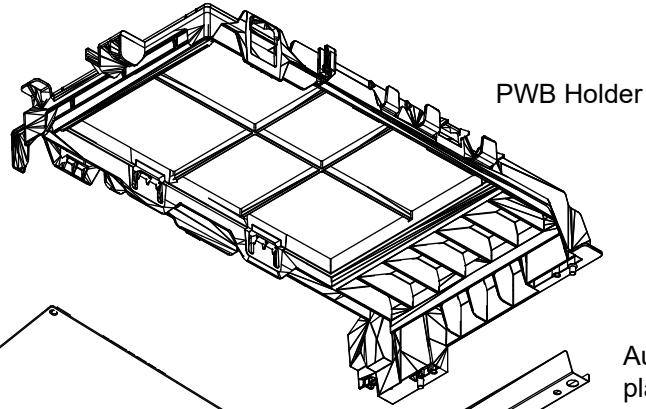
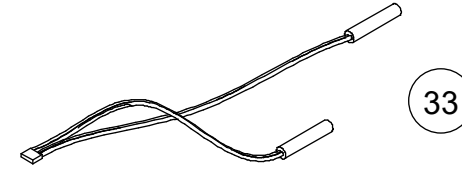
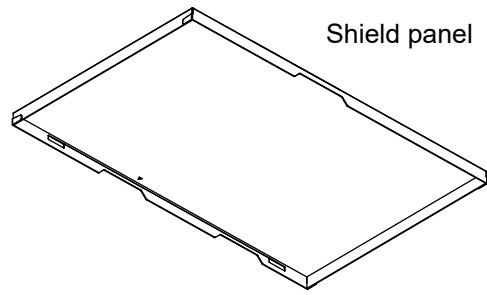


OUTDOOR UNIT
ROG09KBTB



Ref.	Description	Part number
21	Motor bracket assy	9322553010
22	Brushless motor	9603657017
23	Reactor assy	9900583019
24	Terminal	9900435028

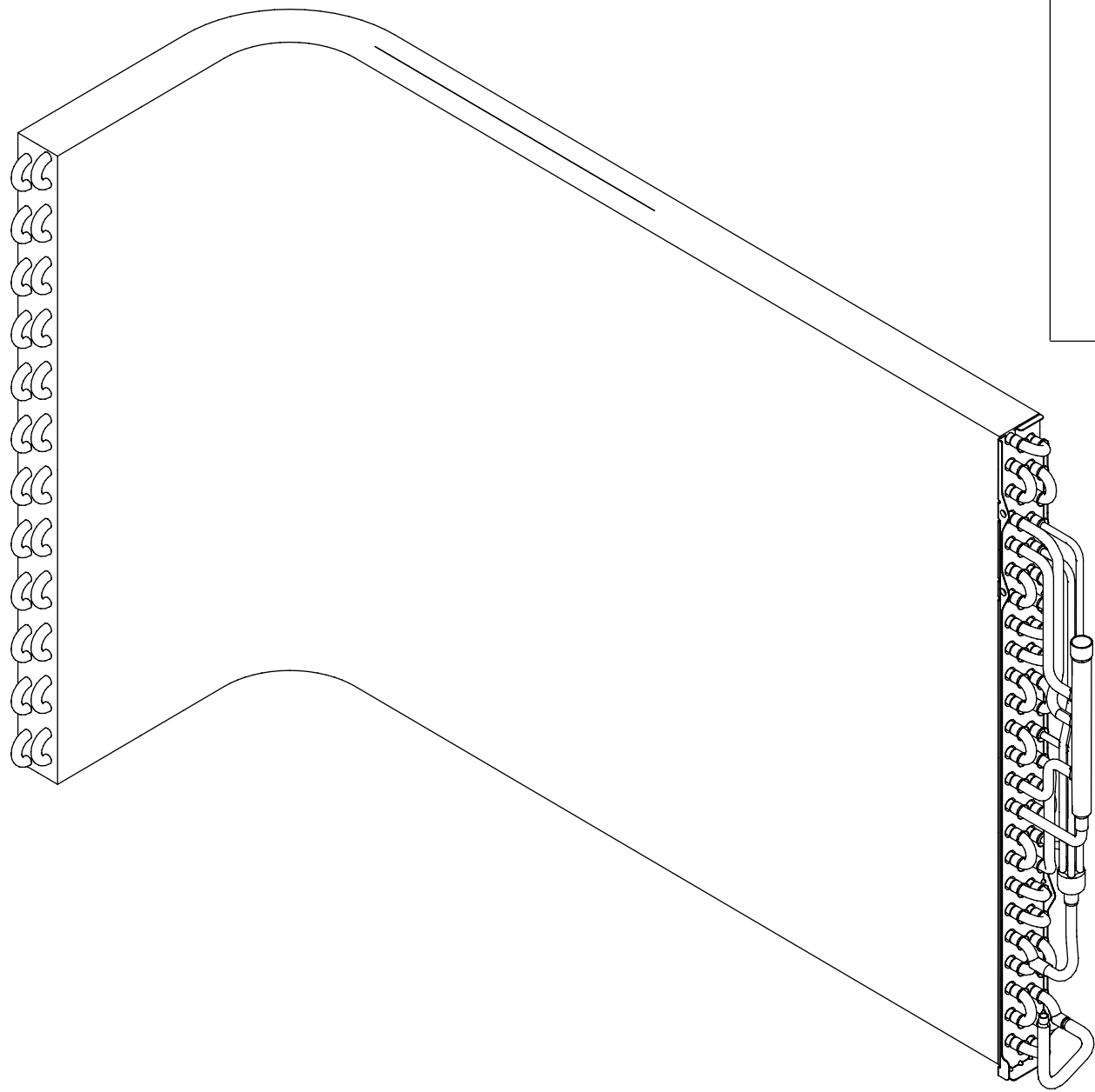
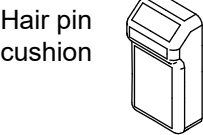
OUTDOOR UNIT
ROG09KBTB



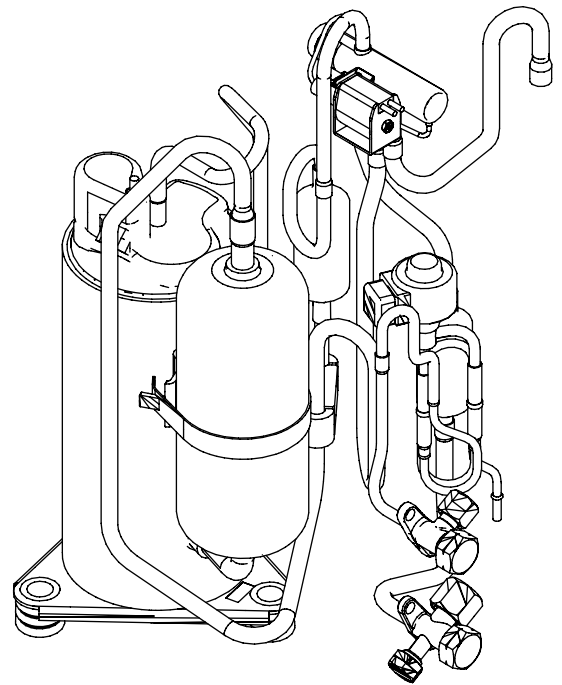
Ref.	Description	Part number
31	Main PCB	9709685310
32	Heatsink	9322418005
33	Thermistor assy	9900727062
---	Heat exchanger thermistor	9900984014

OUTDOOR UNIT
ROG09KBTB

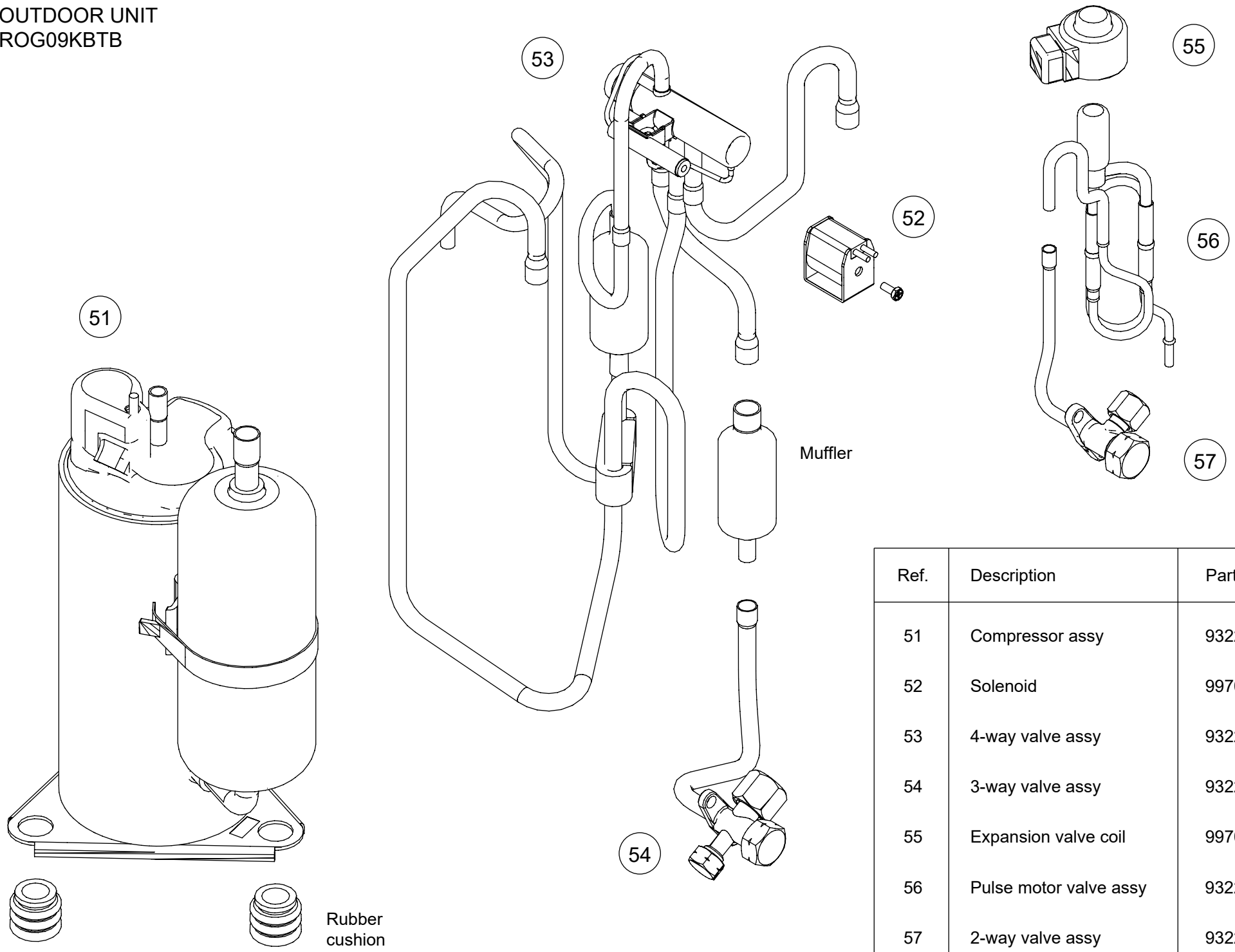
41



Ref.	Description	Part number
41	Heat exchanger unit (Condenser total assy+ Thermistor holder pipe+ Hair pin cushion)	9323834132
-	S-insulator B	9322535009
-	S-insulator F	9322536006
-	S-insulator H	9322537003
-	S-insulator V	9323045002

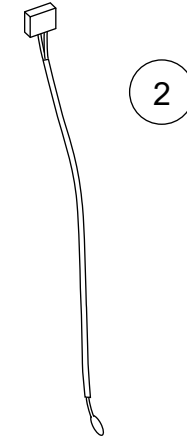
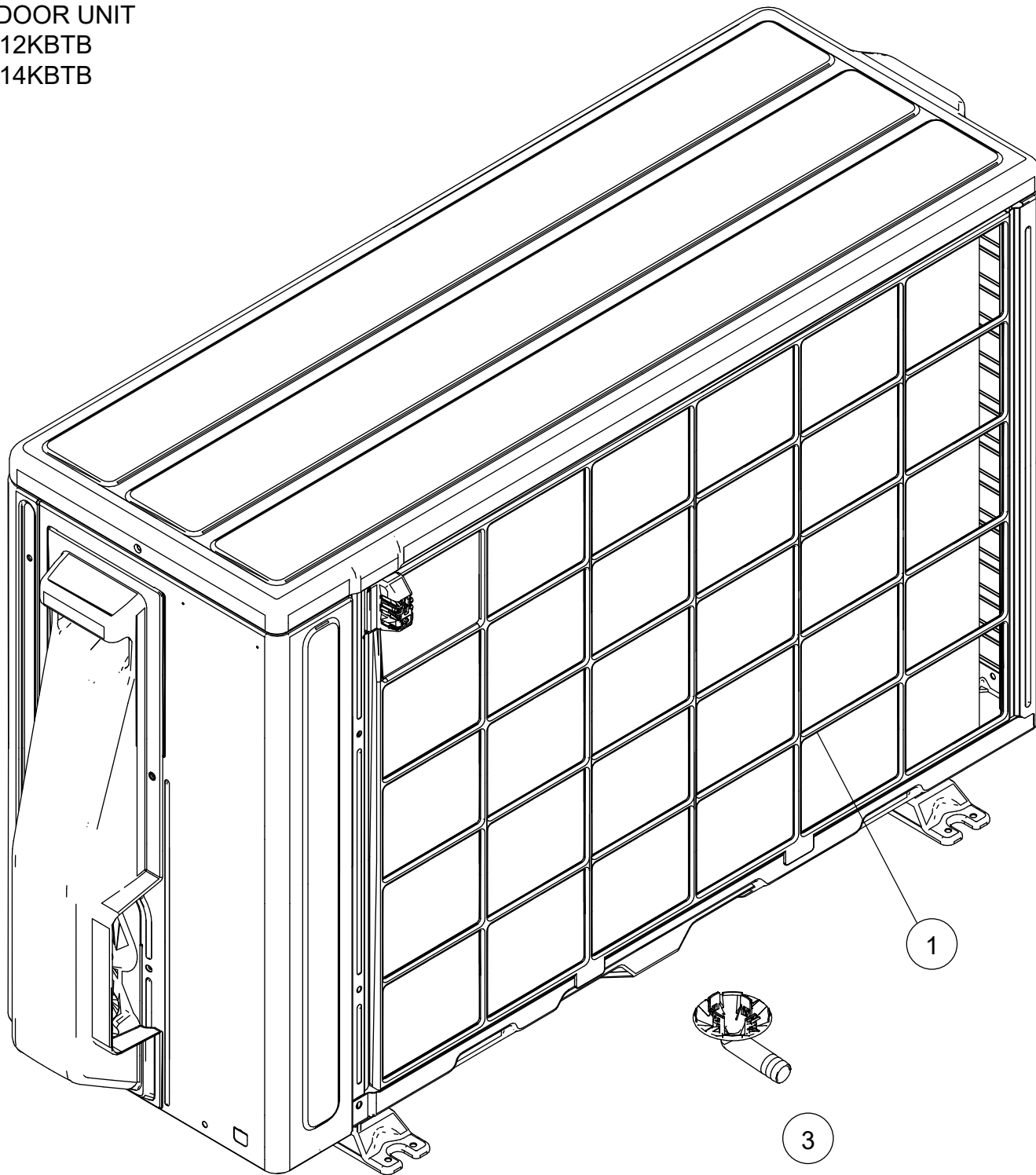


OUTDOOR UNIT
ROG09KBTB



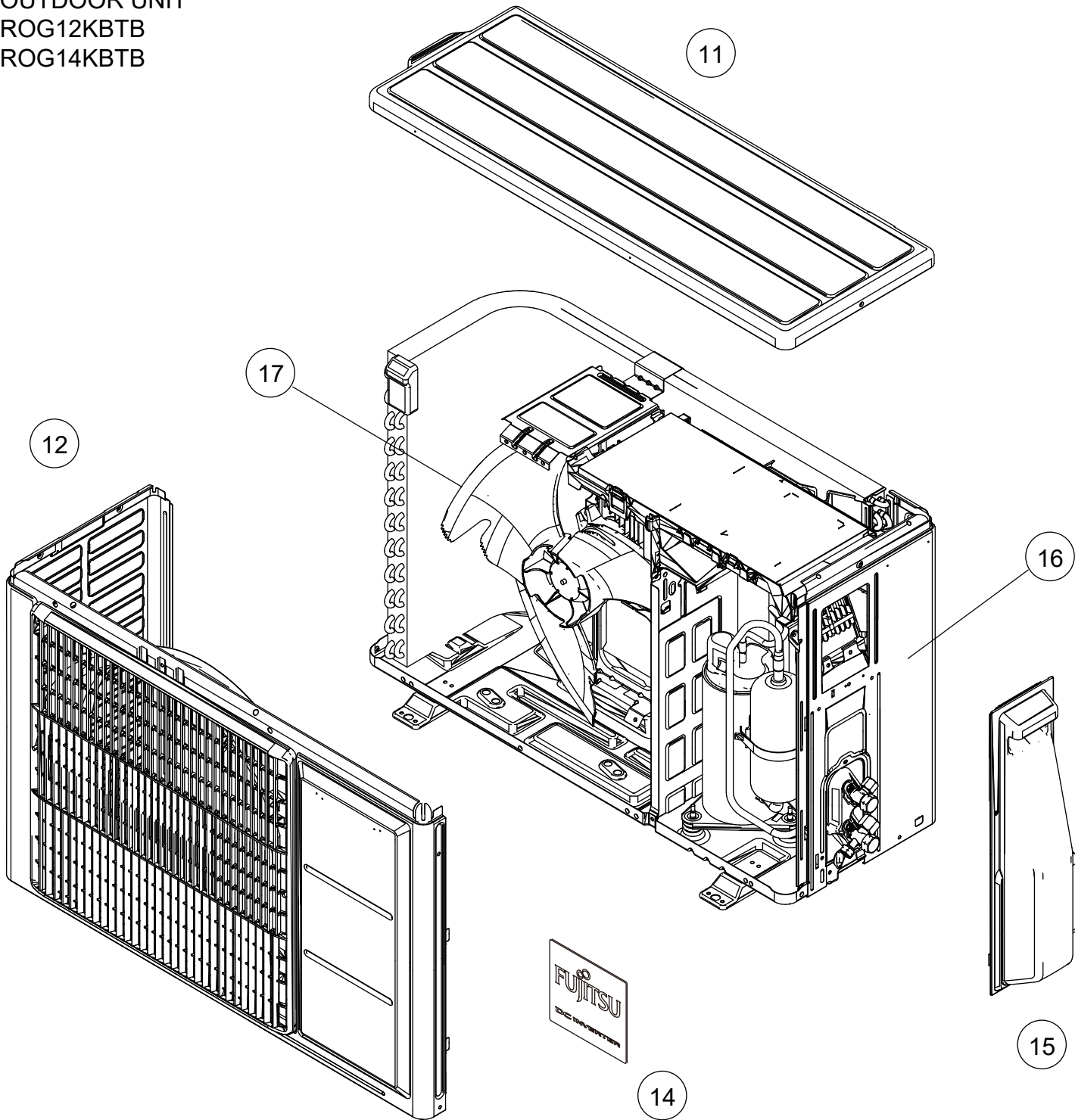
Ref.	Description	Part number
51	Compressor assy	9322427007
52	Solenoid	9970195006
53	4-way valve assy	9322444004
54	3-way valve assy	9322475008
55	Expansion valve coil	9970173028
56	Pulse motor valve assy	9322463029
57	2-way valve assy	9322474001

OUTDOOR UNIT
 ROG12KBTB
 ROG14KBTB

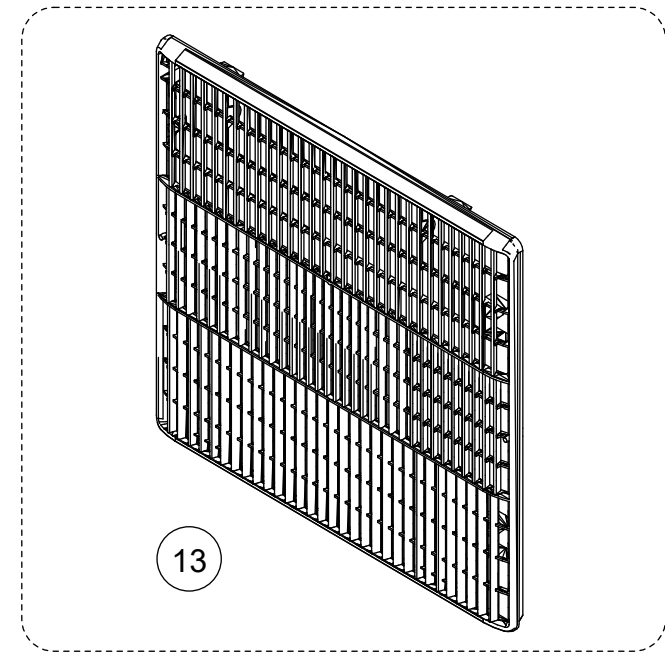


Ref.	Description	Part number
1	Protective net assy	9322811011
2	Outdoor thermistor	9900565060
3	Drain pipe	9322144003

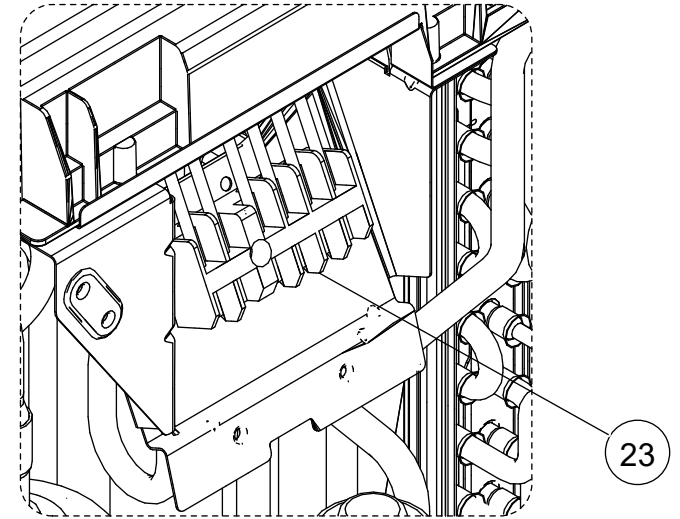
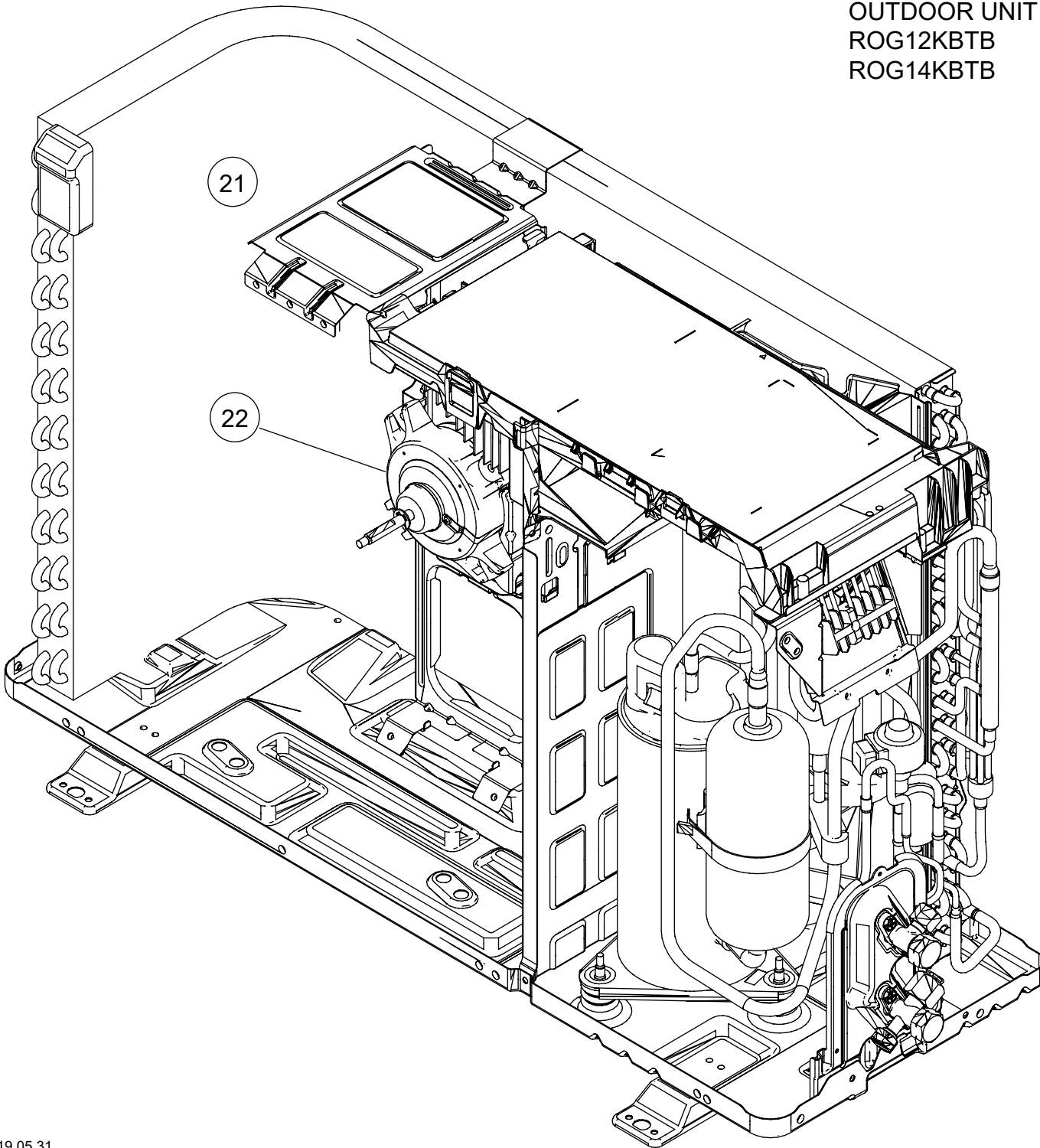
OUTDOOR UNIT
 ROG12KBTB
 ROG14KBTB



Ref.	Description	Part number
11	Top panel assy	9322556028
12	Front panel assy	9322555014
13	Blow grille	9322135001
14	Emblem	9319151007
15	Switch cover assy	9322570000
16	Cabinet right assy	9322552020
17	Propeller fan	9322136008

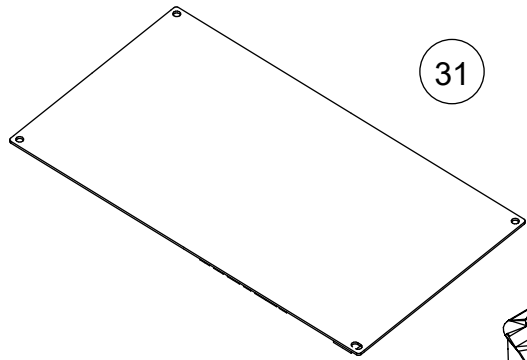


OUTDOOR UNIT
 ROG12KBTB
 ROG14KBTB

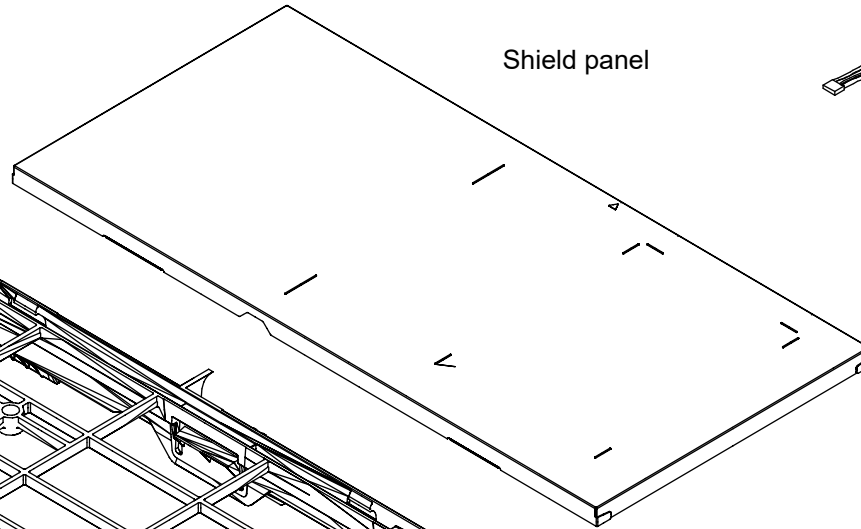


Ref.	Description	Part number
21	Motor bracket assy	9322553010
22	Brushless motor	9603657017
23	Terminal	9900435028

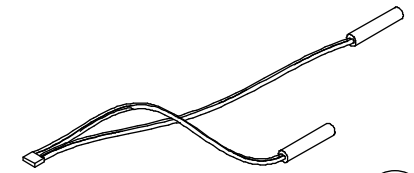
OUTDOOR UNIT
 ROG12KBTB
 ROG14KBTB



31

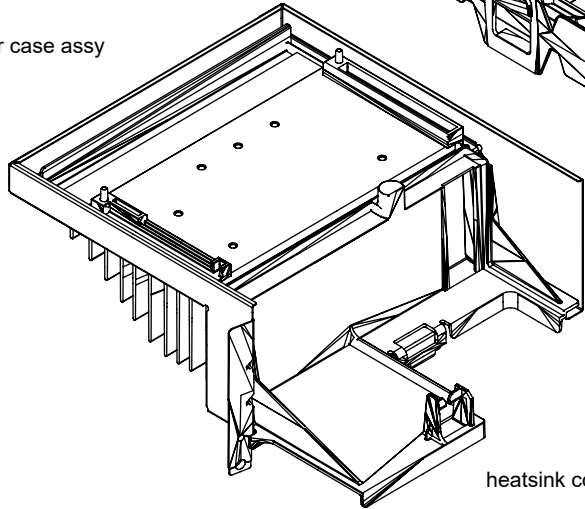


Shield panel

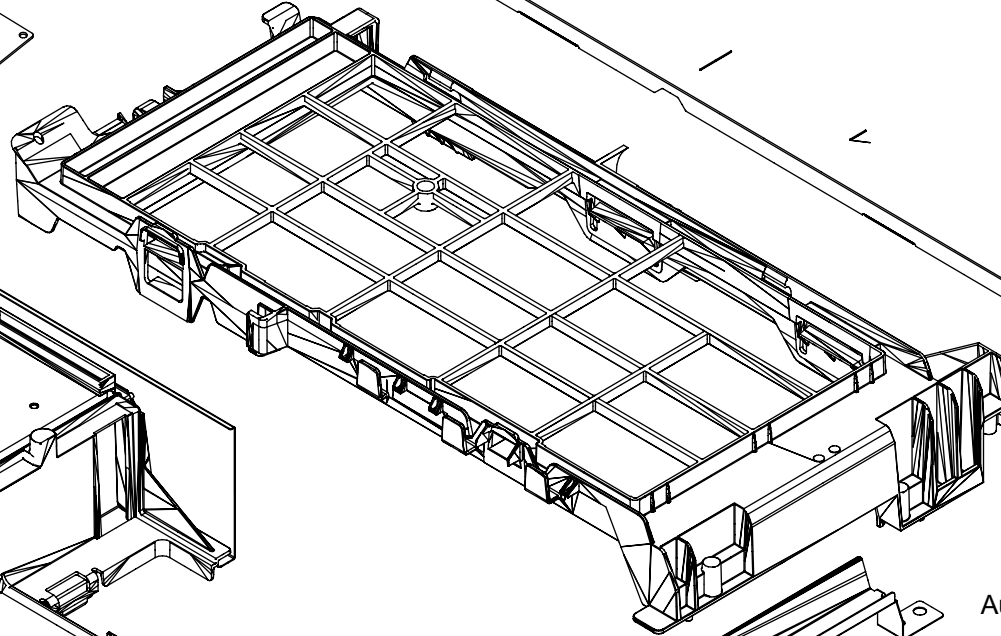


33

Inverter case assy

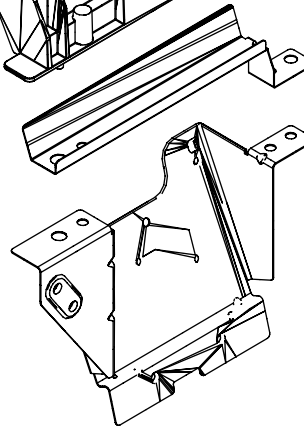


heatsink cover

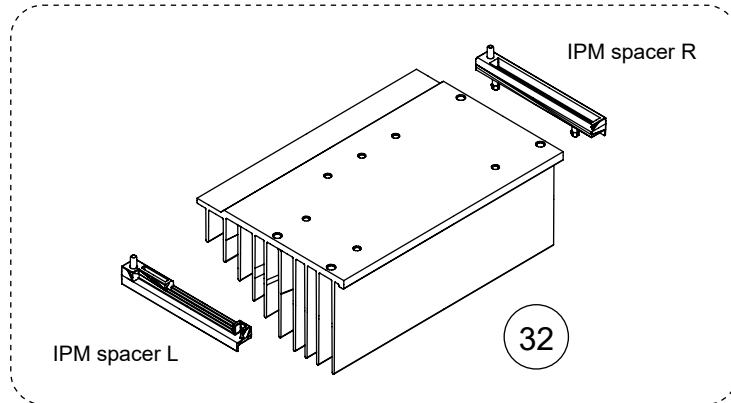


PWB Holder

Auxiliary plate



Terminal bracket assy



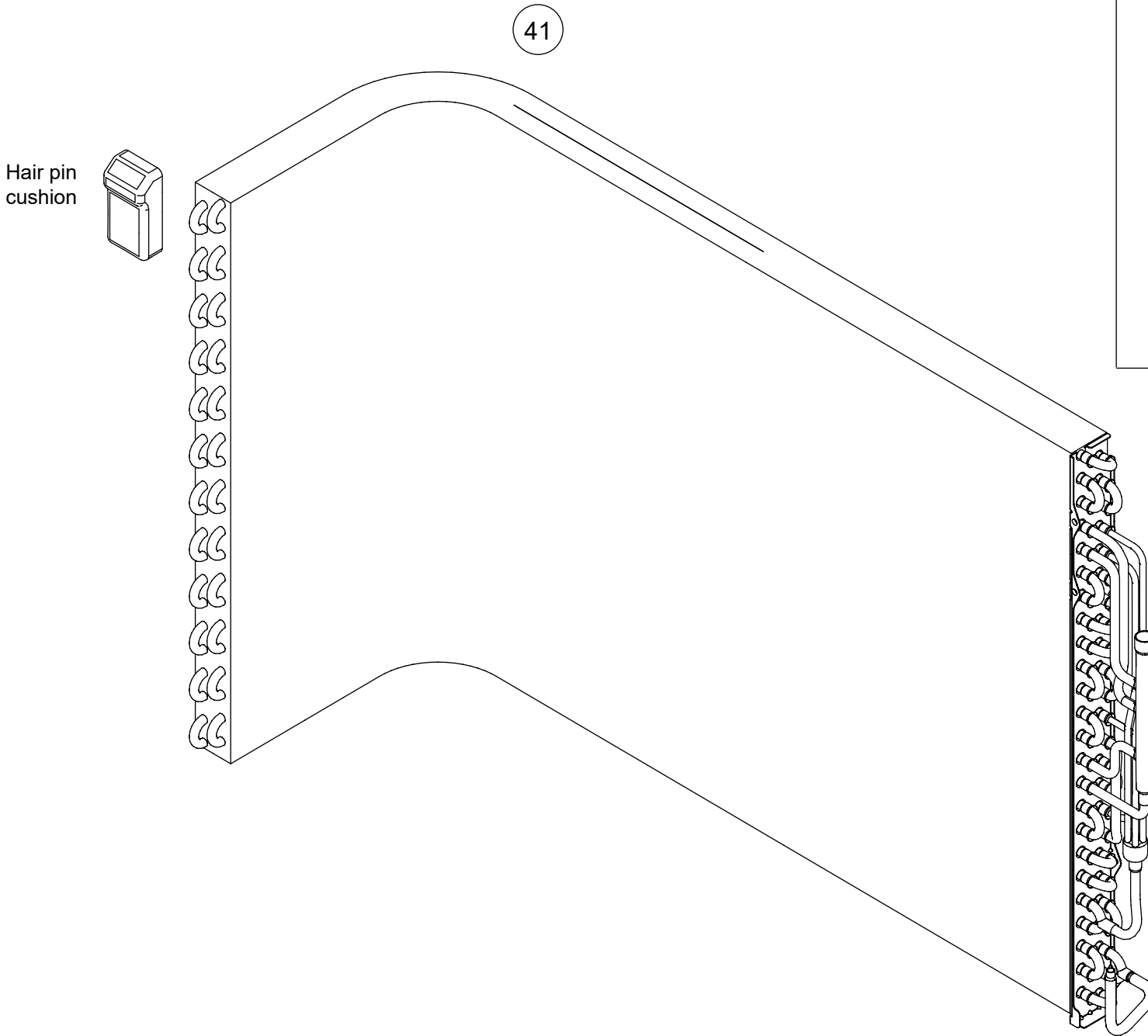
IPM spacer R

IPM spacer L

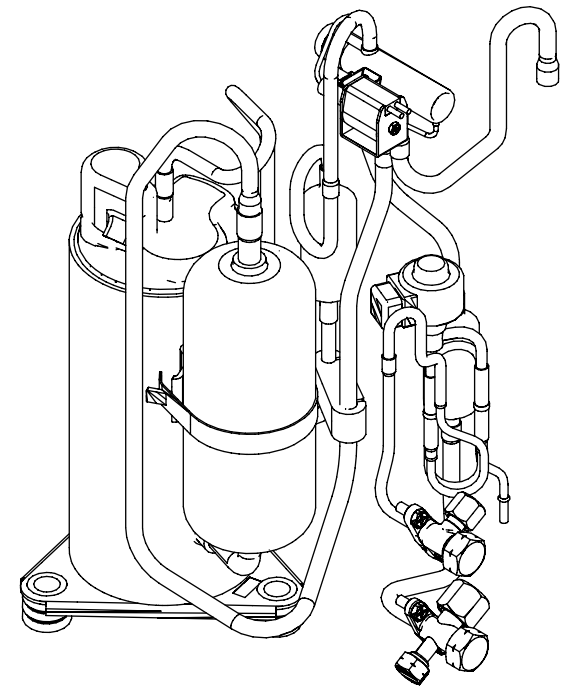
32

Ref.	Description	Part number
31	Main PCB (12)	9709685327
31	Main PCB (14)	9709685334
32	Heatsink	9322420015
33	Thermistor assy	9900727062
---	Heat exchanger thermistor	9900984014

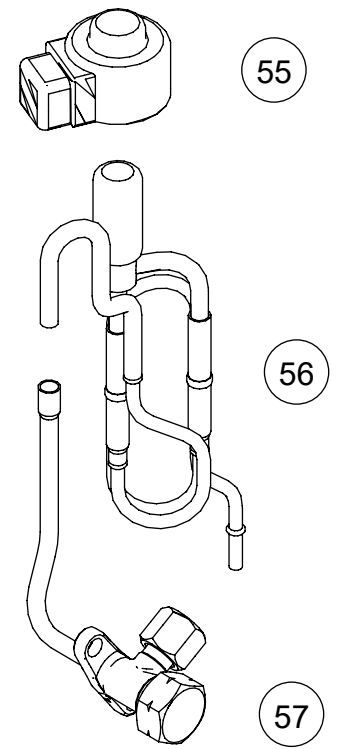
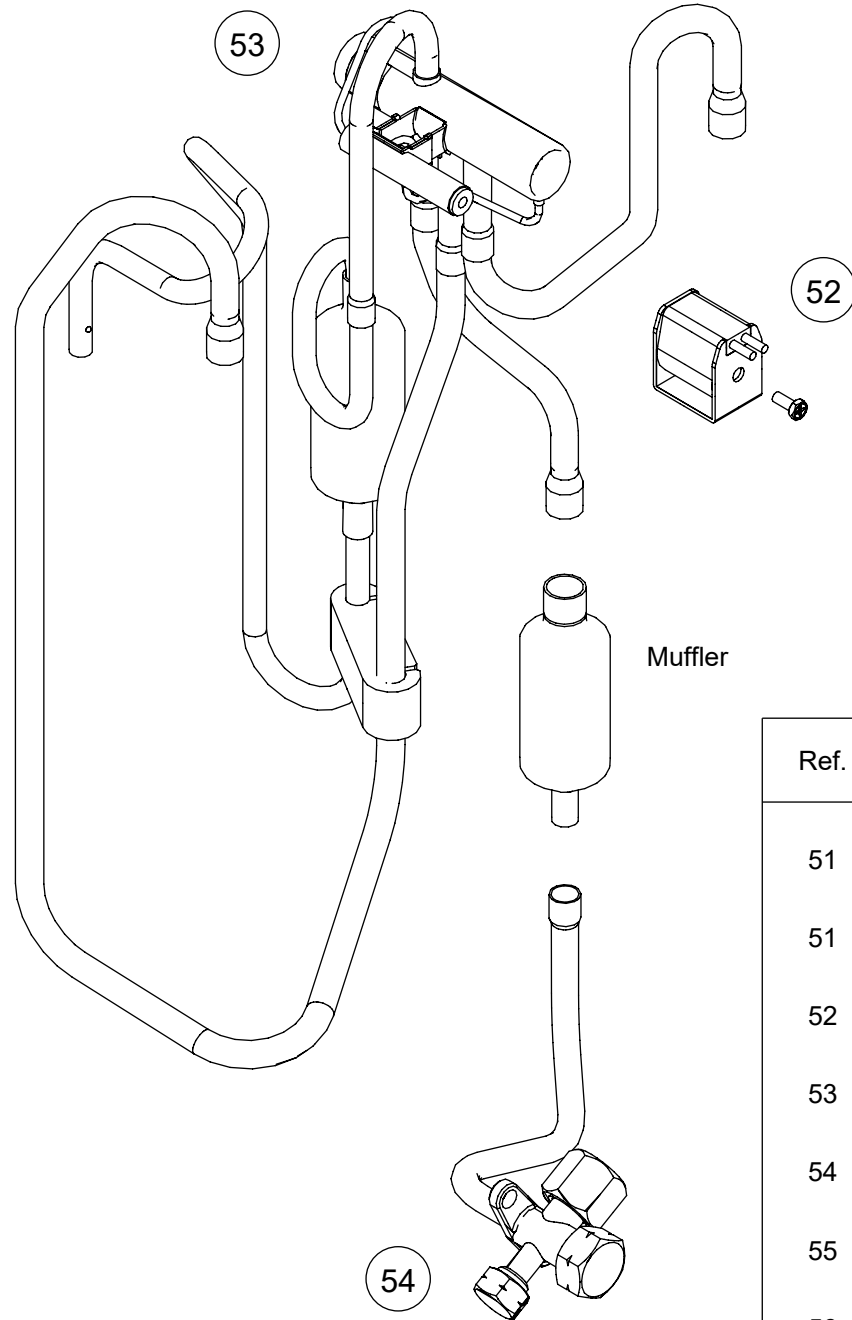
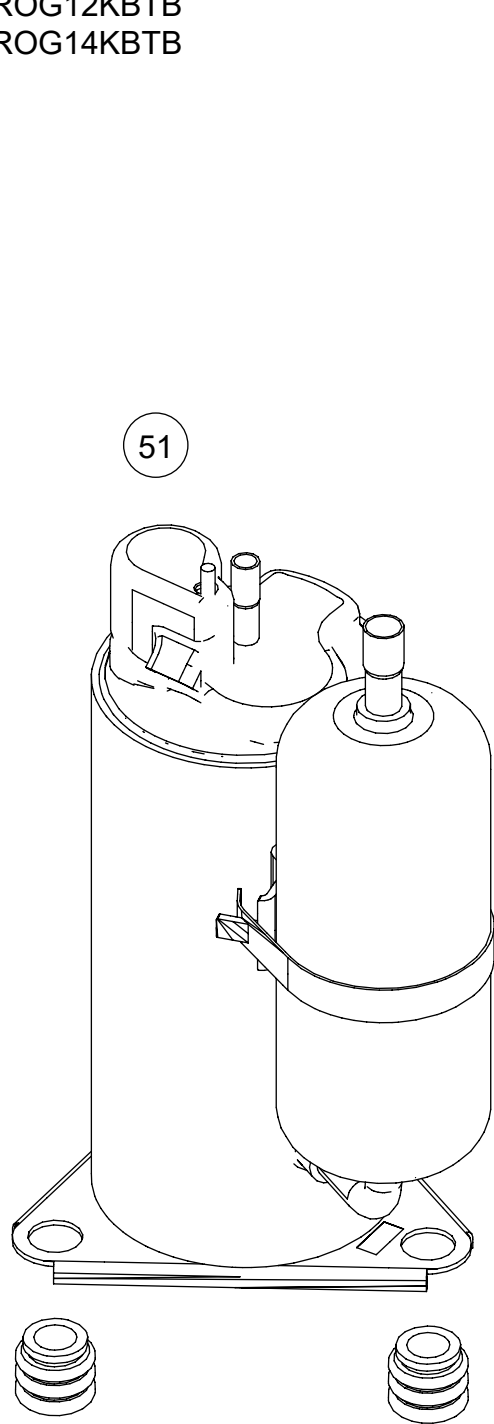
OUTDOOR UNIT
 ROG12KBTB
 ROG14KBTB



Ref.	Description	Part number
41	Heat exchanger unit (Condenser total assy+ Thermistor holder pipe+ Hair pin cushion)	9323834132
-	S-insulator B	9322535009
-	S-insulator F	9322536006
-	S-insulator H	9322537003
-	S-insulator V	9323045002



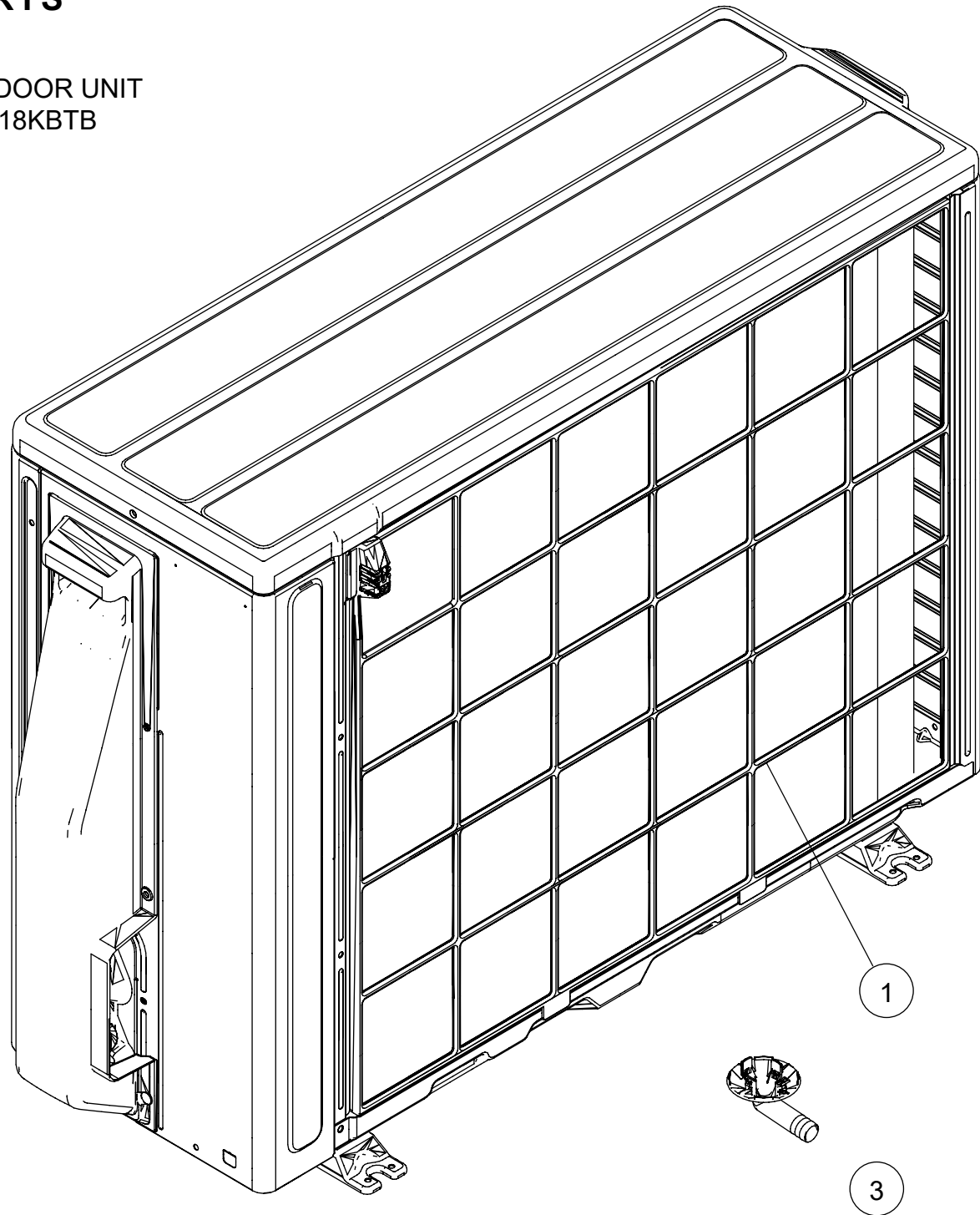
OUTDOOR UNIT
 ROG12KBTB
 ROG14KBTB



Ref.	Description	Part number
51	Compressor assy (12)	9322431004
51	Compressor assy (14)	9322433008
52	Solenoid	9970195006
53	4-way valve assy	9322445001
54	3-way valve assy	9322475008
55	Expansion valve coil	9970173028
56	Pulse motor valve assy	9322463029
57	2-way valve assy	9322474001

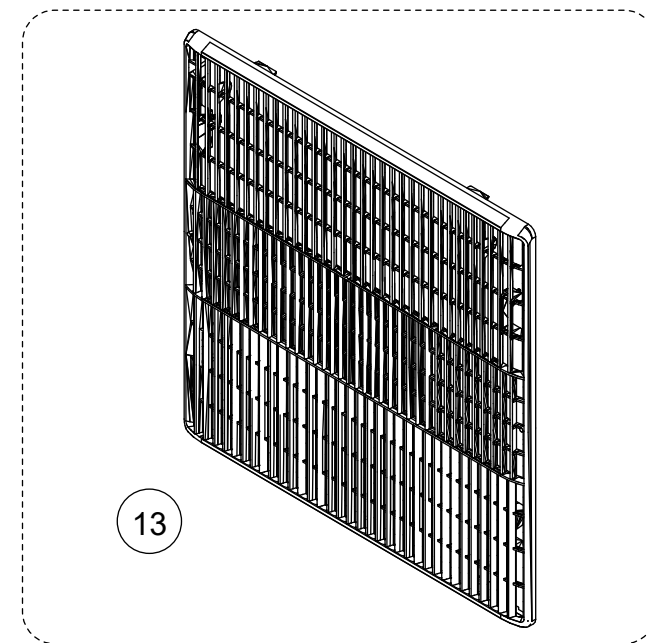
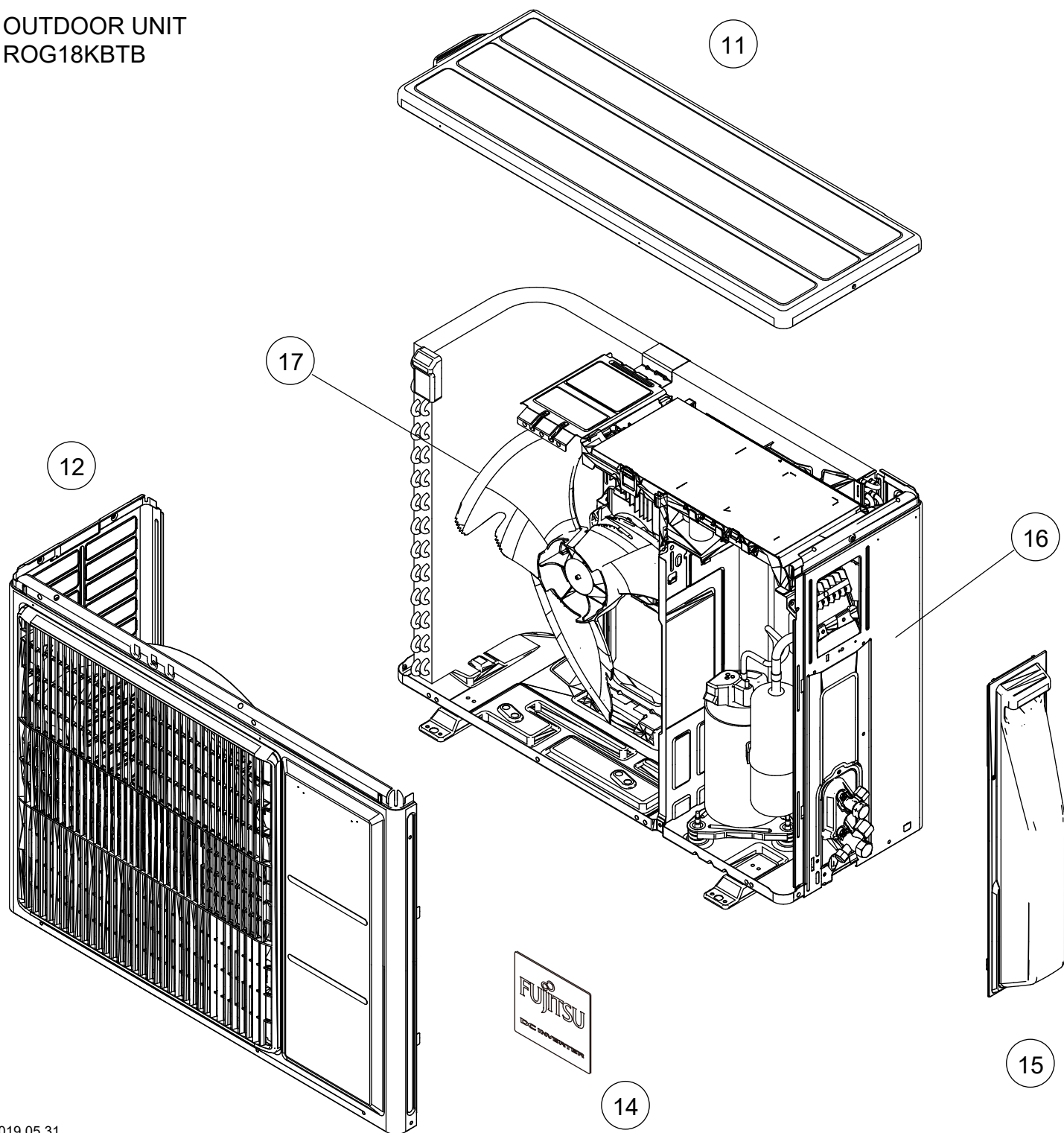
PARTS

OUTDOOR UNIT
ROG18KBTB



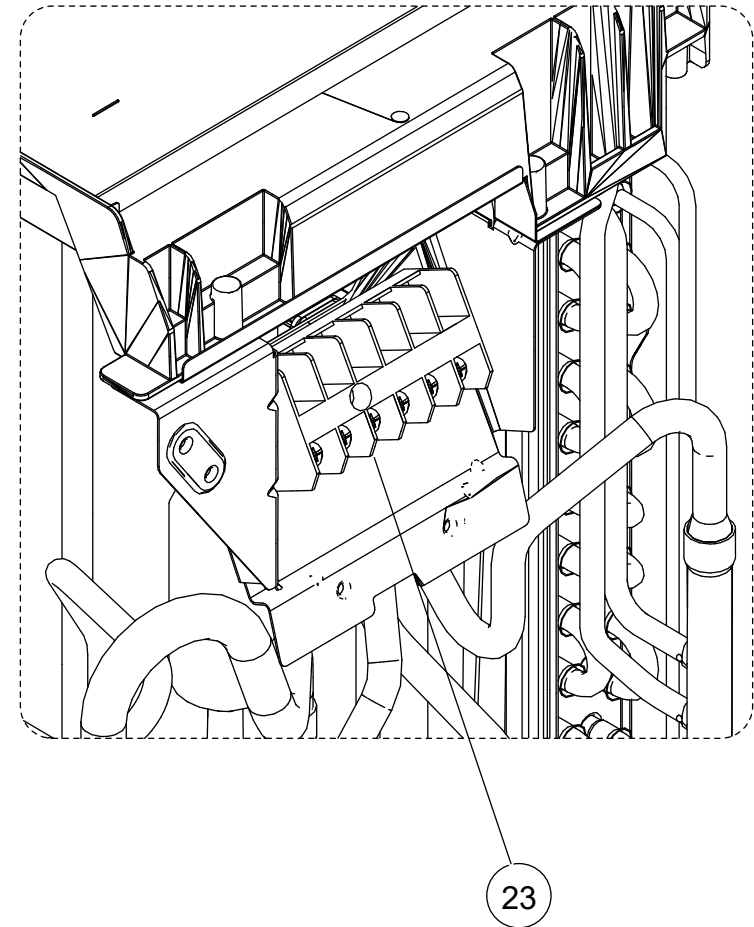
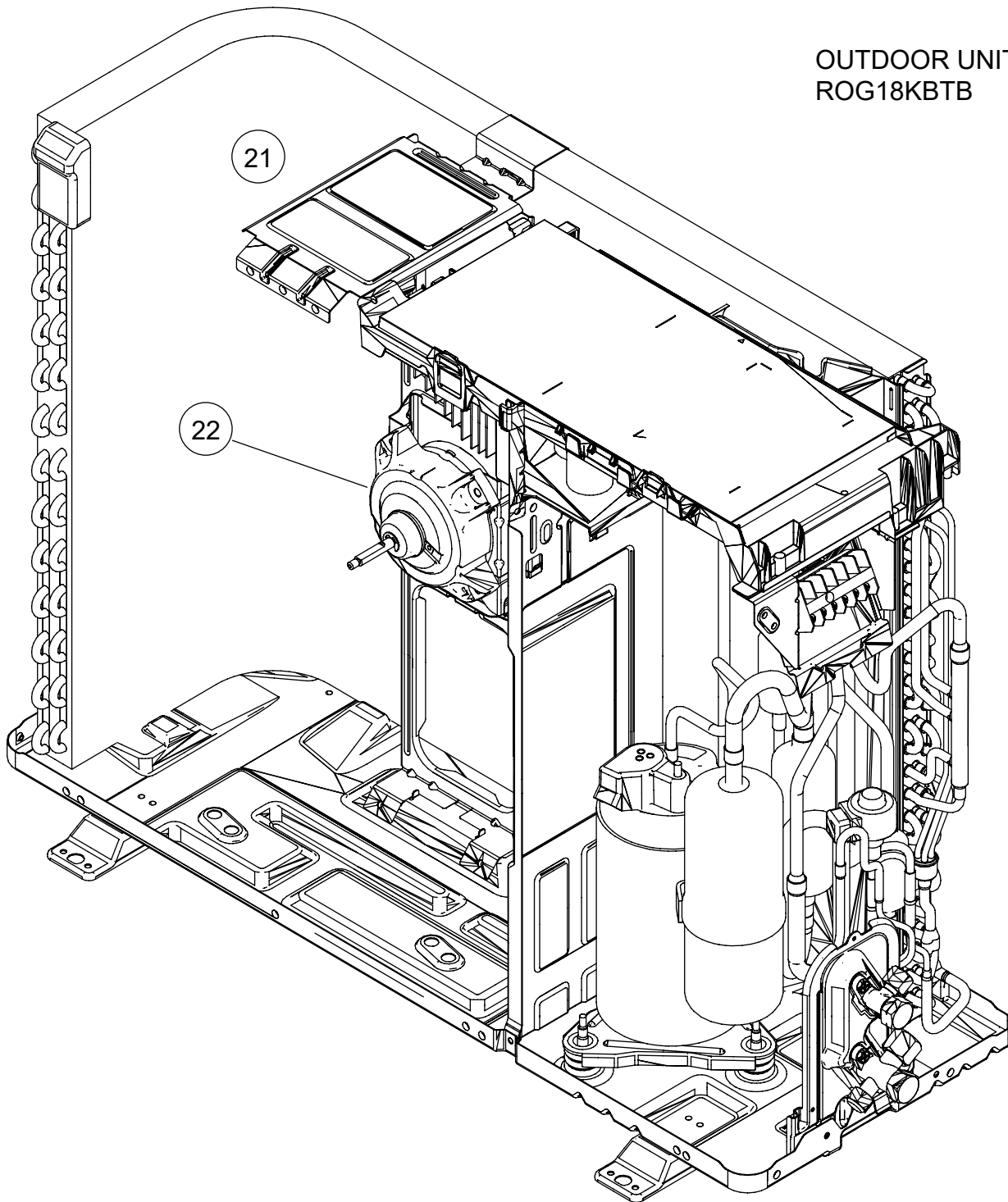
Ref.	Description	Part number
1	Protective net assy	9322811028
2	Outdoor thermistor	9900565060
3	Drain pipe	9322144003

OUTDOOR UNIT
ROG18KBTB



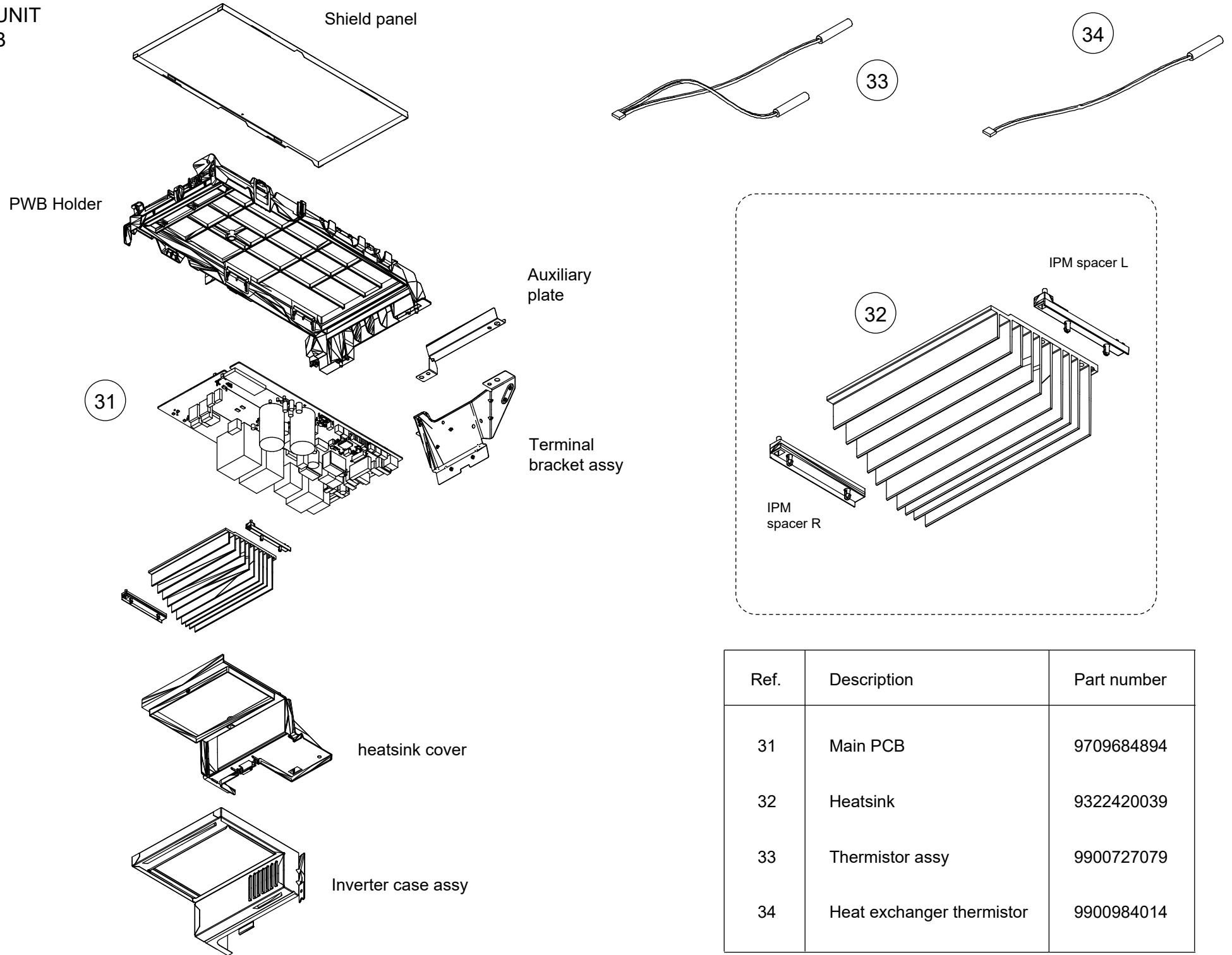
Ref.	Description	Part number
11	Top panel assy	9322556028
12	Front panel assy	9322555021
13	Blow grille	9322149008
14	Emblem	9319151007
15	Switch cover assy	9322570024
16	Cabinet right assy	9322552099
17	Propeller fan	9322150004

OUTDOOR UNIT
ROG18KBTB



Ref.	Description	Part number
21	Motor bracket assy	9322553027
22	Brushless motor	9603601003
23	Terminal	9900435028

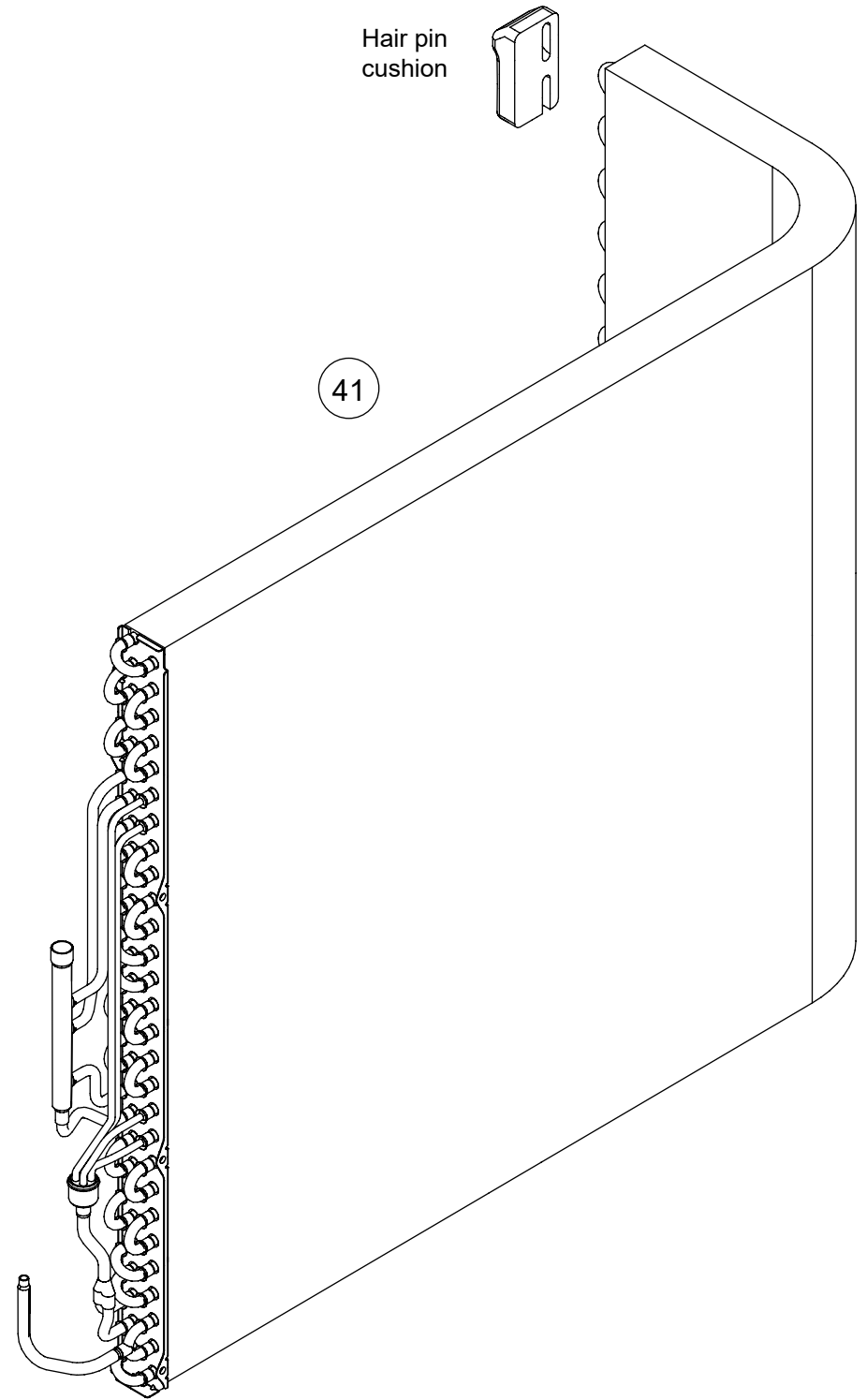
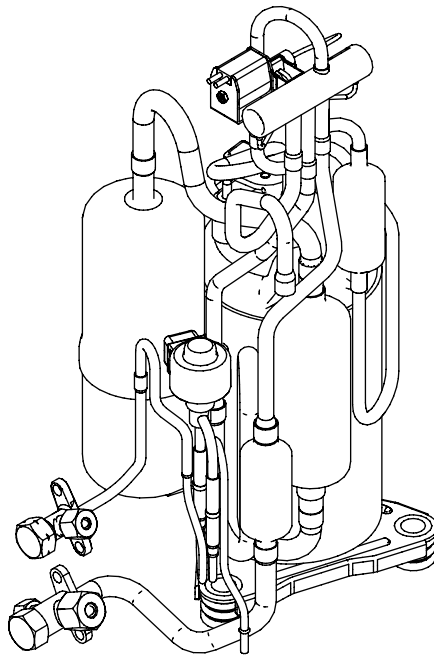
OUTDOOR UNIT
ROG18KBTB



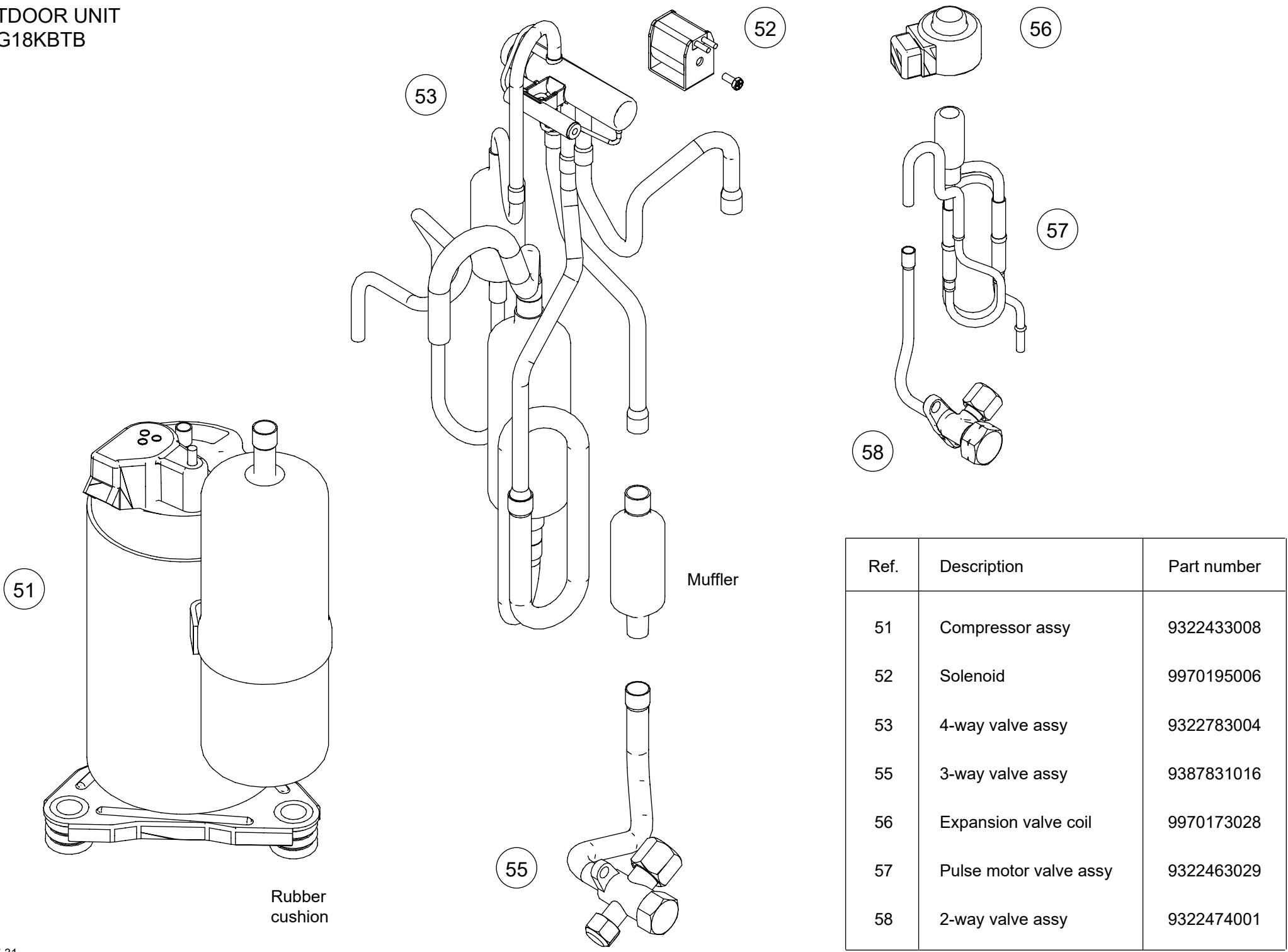
Ref.	Description	Part number
31	Main PCB	9709684894
32	Heatsink	9322420039
33	Thermistor assy	9900727079
34	Heat exchanger thermistor	9900984014

OUTDOOR UNIT
ROG18LBCB

Ref.	Description	Part number
41	Heat exchanger unit (Condenser total assy+ Thermistor holder pipe+ Hair pin cushion)	9323834194
-	S-insulator B	9322500007
-	S-insulator F	9322847003
-	S-insulator H	9322501004
-	S-insulator V	9323045002




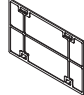
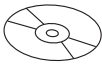
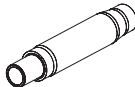


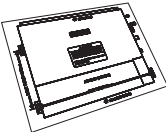




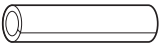

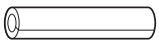
OUTDOOR UNIT
ROG18KBTB




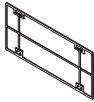
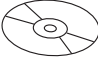
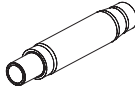


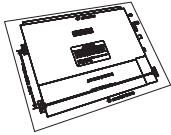




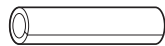

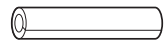
Ref.	Description	Part number
51	Compressor assy	9322433008
52	Solenoid	9970195006
53	4-way valve assy	9322783004
55	3-way valve assy	9387831016
56	Expansion valve coil	9970173028
57	Pulse motor valve assy	9322463029
58	2-way valve assy	9322474001

Accessories (Indoor unit)

Models: RDG09KLLAP, RDG12KLLAP, and RDG14KLLAP



Part name	Exterior	Q'ty	Part name	Exterior	Q'ty
Operating manual		1	Filter (small)		2
Operating manual (CD-ROM)		1	Drain hose		1
Installation manual		1	Hose band		1
Installation template		1	Drain hose insulation B		1
Washer		8	Insulation (for electrical wiring)		2
Cable tie (large)		4	Coupler heat insulation (large)		1
Cable tie (medium)		3	Coupler heat insulation (small)		1

Model: RDG18KLLAP

Part name	Exterior	Q'ty	Part name	Exterior	Q'ty
Operating manual		1	Filter (large)		2
Operating manual (CD-ROM)		1	Drain hose		1
Installation manual		1	Hose band		1
Installation template		1	Drain hose insulation B		1
Washer		8	Insulation (for electrical wiring)		2
Cable tie (large)		4	Coupler heat insulation (large)		1
Cable tie (medium)		3	Coupler heat insulation (small)		1

Accessories (Outdoor unit)

**Models: ROG09KBTB, ROG12KBTB, ROG14KBTB,
and ROG18KBTB**

Part name	Exterior	Q'ty	Part name	Exterior	Q'ty
Installation manual		1	Drain pipe		1

1903G4802