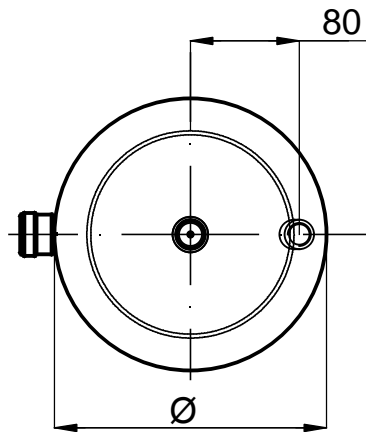
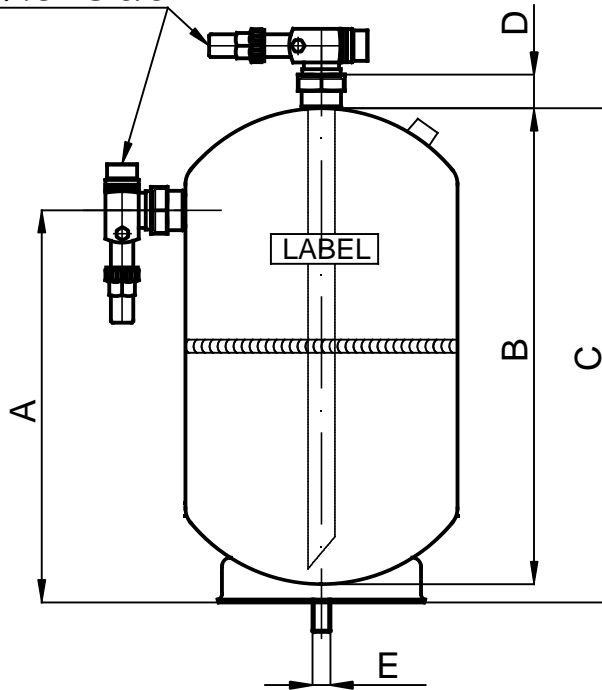


ROTALOCK VALVES 1"¼ ODS 5/8




PLEASE RETURN US
THE PRESENT DRAWING
SIGNED FOR CONFIRMATION

Timbro e Firma
CLIENTE.....

THE DIMENSION OF THE DRAWING ARE IN MM								ROTALOCK ATTACK	CONNECTION NPT	WEIGHT KG
TYPE	CAPACITY	Ø	A	B	C	D	E			
IGLRL2140374A	10 LITERS	214	280	340	360	30	M10x30	1"¼	3/8"	5.4

Rev. 0	Descrizione—Description — Description — Beschreibung	Dis. — Desig.	Data—Date	Visto — Checked by
--------	--	---------------	-----------	--------------------

Le Dimensioni del Disegno sono in mm. - The Dimension of the Drawing are in mm.		
Temperature max min — Min max temperature -10°C+100°C	Pressione di esercizio Max — Max Working pressure 32BAR	Tolleranze Generali — General Tollerances ± 5 mm
Colore — Colour RAL9005	Pressione di collaudo — Test pressure 48BAR	Tutti gli apparecchi sono marchiati e costruiti secondo direttiva 97/23/CE (PED) All products are marked and made according to directive 97/23/CE (PED)

	Denominazione — Denomination — VERTICAL LIQUID RECEIVER LT. 10.		
	Foglio — Sheet 1/1	Data — Date 16/06/2007	Codice — Code IGLRL2140374A
Disegnatore — Designer NERICCIO NICOLA	Visto — Checked by	Numero — Number	Scala — Scale (F.to A4)

Proprieta' riservata, riproduzione vietata a termini di legge — OCS property drawings, the improper use is punishable by law Copyright — Mod. T 002

La ditta OCS si riserva di apportare in qualsiasi momento e senza preavviso le modifiche che riterrà necessarie. Ocs could modify, if necessary, the drawing without previous communication