

AIR CONDITIONER
Cassette type

SERVICE MANUAL

INDOOR



AUXG24KVLA

OUTDOOR



AOYG24KATA

Notices:

- Product specifications and design are subject to change without notice for future improvement.
- For further details, please check with our authorized dealer.

Trademarks

FGLair™ is trademark of Fujitsu General Limited in the United States, other countries or both.

Google Play™ is trademark of Google Inc.

App Store® is a service mark of Apple Inc., registered in the U.S. and other countries.

CONTENTS

1. GENERAL INFORMATION

2. TECHNICAL DATA AND PARTS LIST

1. GENERAL INFORMATION

CONTENTS

1. GENERAL INFORMATION

| | |
|--------------------------------|-------------|
| 1. Specifications | 01-1 |
| 1-1. Indoor unit | 01-1 |
| 1-2. Outdoor unit..... | 01-4 |
| 2. Dimensions | 01-5 |
| 2-1. Indoor unit | 01-5 |
| 2-2. Outdoor unit..... | 01-7 |

1. Specifications

1-1. Indoor unit

| Type | | | | Cassette | | |
|-------------------------------------|------------------------|---------------|---|-------------------------------|------|-----|
| | | | | Inverter heat pump | | |
| Model name | | | | AUXG24KVLA | | |
| Power supply | | | | 230 V ~ 50 Hz | | |
| Power supply intake | | | | Outdoor unit | | |
| Available voltage range | | | | 198—264 V | | |
| Capacity | Cooling | Rated | kW | 6.80 | | |
| | | | Btu/h | 23,200 | | |
| | | Min.—Max. | kW | 0.90—7.40 | | |
| | Heating | Rated | Btu/h | 3,100—25,200 | | |
| | | | kW | 7.50 | | |
| | | Min.—Max. | kW | 0.90—8.60 | | |
| | | | Btu/h | 3,100—29,300 | | |
| | | | | | | |
| | | | | | | |
| Input power | Cooling | Rated | kW | 2.26 | | |
| | | | | Max. | 2.79 | |
| | Heating | Rated | | 2.08 | | |
| | | | | Max. | 2.70 | |
| Current | Cooling | Rated | A | 10.0 | | |
| | Heating | | | 9.1 | | |
| Power factor | Cooling | | | 98.4 | | |
| | Heating | | | 98.9 | | |
| EER | Cooling | | | 3.01 | | |
| COP | Heating | | | 3.61 | | |
| Moisture removal | | | L/h (pints/h) | 2.7 (4.8) | | |
| Maximum operating current *1 | Cooling | | | 12.6 | | |
| | Heating | | | 12.6 | | |
| Fan | Airflow rate | Cooling | m ³ /h | HIGH | 930 | |
| | | | | MED | 830 | |
| | | | | LOW | 600 | |
| | | | | QUIET | 450 | |
| | | | | Heating | HIGH | 930 |
| | MED | 860 | | | | |
| | LOW | 700 | | | | |
| | QUIET | 530 | | | | |
| | Type × Q'ty | | | Turbo × 1 | | |
| | Motor output | | | W | | |
| Sound pressure level *2 | Cooling | HIGH | dB (A) | 49 | | |
| | | | | MED | 44 | |
| | | | | LOW | 36 | |
| | | | | QUIET | 30 | |
| | | | | Heating | HIGH | 49 |
| | MED | 45 | | | | |
| | LOW | 40 | | | | |
| | QUIET | 33 | | | | |
| | | | | | | |
| Heat exchanger type | Dimensions (H × W × D) | | mm | Main1: 210 × 1,360 × 13.3 | | |
| | | | | Main2: 210 × 1,295 × 13.3 | | |
| | | | | Main3: 210 × 1,235 × 13.3 | | |
| | Fin pitch | | | Main1: 1.45 | | |
| | | | | Main2: 1.45 | | |
| | | | | Main3: 1.45 | | |
| Rows × Stages | | Main1: 1 × 10 | | | | |
| | | Main2: 1 × 10 | | | | |
| | | Main3: 1 × 10 | | | | |
| Pipe type | | Copper tube | | | | |
| Fin type | | Aluminum | | | | |
| Dimensions (H × W × D) | Net | | mm | 245 × 570 × 570 | | |
| | Gross | | | 265 × 730 × 625 | | |
| Weight | Net | | kg | 16 | | |
| | Gross | | | 20 | | |
| Connection pipe | Size | Liquid | mm (in) | Ø 6.35 (Ø 1/4) | | |
| | | Gas | | Ø 12.70 (Ø 1/2) | | |
| | Method | | | Flare | | |
| Operation range | Cooling | | | °C | | |
| | | | | %RH | | |
| | Heating | | | °C | | |
| Cassette grille (Grid type: Option) | Material | | Polystyrene | | | |
| | Color | | White | | | |
| | | | Approximate color of Munsell 9PB 9.1/0.2 | | | |
| | Dimensions (H × W × D) | Net | mm | 49 × 620 × 620 | | |
| | | Gross | | 120 × 765 × 755 | | |
| Weight | Net | kg | 2.3 | | | |
| | Gross | | 4.5 | | | |
| Remote control (Option) | | | Wired remote controller, Wireless remote controller, Mobile app*3 (FGLair™) | | | |
| Drain hose | Material | | PVC | | | |
| | Size | | mm | | | |
| | | | | VP25 [Ø 25(I.D.), Ø 32(O.D.)] | | |

| | |
|---|--------------------|
| Type | Cassette |
| | Inverter heat pump |
| Model name | AUXG24KVLA |
| <p>NOTES:</p> <ul style="list-style-type: none"> • Specifications are based on the following conditions: <ul style="list-style-type: none"> – Cooling: Indoor temperature of 27 °CDB/19 °CWB, and outdoor temperature of 35 °CDB/24 °CWB. – Heating: Indoor temperature of 20 °CDB/15 °CWB, and outdoor temperature of 7 °CDB/6 °CWB. – Pipe length: 5.0 m, Height difference: 0 m. (Between outdoor unit and indoor unit.) • Protective function might work when using it outside the operation range. • *1: Maximum operating current is the total current of the indoor unit and the outdoor unit. • *2: Sound pressure level: <ul style="list-style-type: none"> – Measured values in manufacturer's anechoic chamber. – Because of the surrounding sound environment, the sound levels measured in actual installation conditions might be higher than the specified values here. • *3: Available on Google Play™ store or on App Store®. Optional WLAN adapter is also required. For details, refer to the setting manual. | |

| Specifications for ErP Lot10 | | | | |
|------------------------------|-------------------|---------|------------|----------------|
| Model name | | | AUXG24KVLA | |
| Energy efficiency class | Cooling | | | A ⁺ |
| | Heating (Average) | | | A |
| Pdesign | Cooling | kW | | 6.8 (35°C) |
| | Heating (Average) | | | 5.4 (-10°C) |
| SEER | Cooling | kWh/kWh | | 5.90 |
| SCOP | Heating (Average) | | | 3.80 |
| Annual energy consumption | QCE | kWh/a | | 403 |
| | QHE (Average) | | | 1,988 |
| Sound power level | Cooling | HIGH | dB (A) | 59 |
| | Heating | | | 61 |

1-2. Outdoor unit

| Type | | | | Inverter heat pump | |
|-------------------------|---------------------------------|-------------------|-------------------|---|---------------|
| Model name | | | | AOYG24KATA | |
| Power supply | | | | 230 V ~ 50 Hz | |
| Power supply intake | | | | Outdoor unit | |
| Available voltage range | | | | 198—264 V | |
| Starting current | | | | 10.0 | |
| Fan | Airflow rate | Cooling | m ³ /h | 2,885 | |
| | | Heating | | 2,350 | |
| | Type × Q'ty | | | Propeller × 1 | |
| | Motor output | | W | 49 | |
| Sound pressure level *1 | | Cooling | dB (A) | 54 | |
| | | Heating | | 55 | |
| Sound power level | | Cooling | dB (A) | 66 | |
| | | Heating | | 67 | |
| Heat exchanger type | Dimensions (H × W × D) | | mm | Main1: 588 × 881 × 18.19 | |
| | | | | Main2: 588 × 851 × 18.19 | |
| | Fin pitch | | | | Main1: 1.3 |
| | | | | | Main2: 1.3 |
| | Rows × Stages | | | | Main1: 1 × 28 |
| | Pipe type | | | | Main2: 1 × 28 |
| Fin | | Type (Material) | | Aluminum | |
| | | Surface treatment | | PC fin | |
| Compressor | Type × Q'ty | | | DC Twin rotary × 1 | |
| | Motor output | W | 1,060 | | |
| Refrigerant | Type (Global warming potential) | | | R32 (675) | |
| | Factory charge | g | 1,250 | | |
| Refrigerant oil | Type | | | RmM68AF | |
| | Amount | cm ³ | 400 | | |
| Enclosure | Material | | Steel sheet | | |
| | Color | | Beige | | |
| | | | | Approximate color of Munsell 10YR 7.5/1.0 | |
| Dimensions (H × W × D) | Net | | mm | 632 × 799 × 290 | |
| | Gross | | | 692 × 940 × 375 | |
| Weight | Net | | kg | 38 | |
| | Gross | | | 42 | |
| Connection pipe | Size | Liquid | mm (in) | Ø 6.35 (Ø 1/4) | |
| | | Gas | | Ø 12.70 (Ø 1/2) | |
| | Method | | | Flare | |
| | Pre-charge length | | m | 20 | |
| | Max. length | | | 25 | |
| | Max. height difference | | | 20 | |
| Operation range | | Cooling | °C | -10 to 46 | |
| | | Heating | | -15 to 24 | |
| Drain hose | Material | | PP | | |
| | Size | | mm | | |
| | | | | Ø13.0 (I. D.), Ø16.0 to Ø16.8 (O. D.) | |

NOTES:

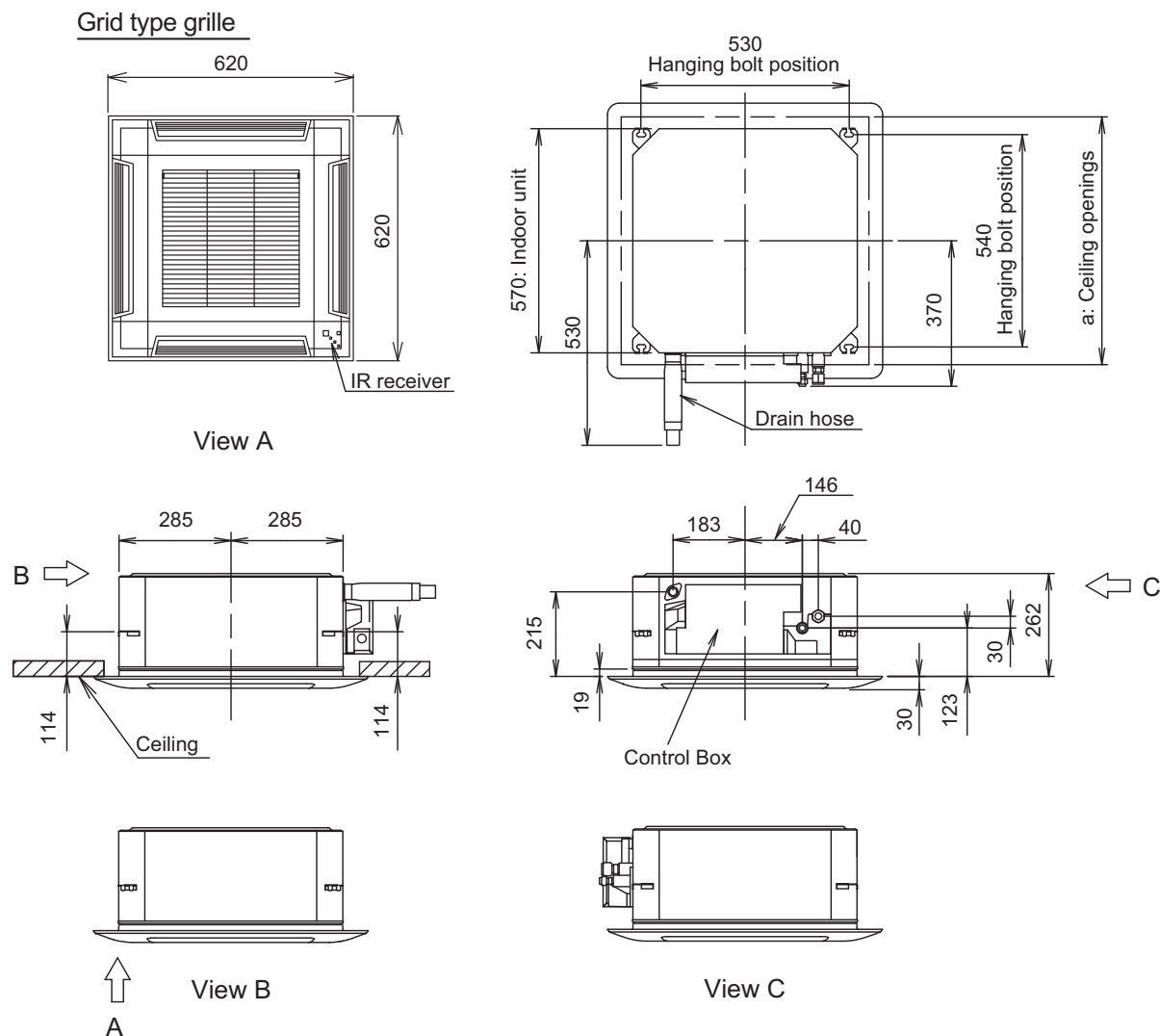
- Specifications are based on the following conditions:
 - Cooling: Indoor temperature of 27 °CDB/19 °CWB, and outdoor temperature of 35 °CDB/24 °CWB.
 - Heating: Indoor temperature of 20 °CDB/15 °CWB, and outdoor temperature of 7 °CDB/6 °CWB.
 - Pipe length: 5.0 m, Height difference: 0 m. (Between outdoor unit and indoor unit.)
- Protective function might work when using it outside the operation range.
- *1: Sound pressure level
 - Measured values in manufacturer's anechoic chamber.
 - Because of the surrounding sound environment, the sound levels measured in actual installation conditions might be higher than the specified values here.

2. Dimensions

2-1. Indoor unit

■ Model: AUXG24KVLA

Unit: mm

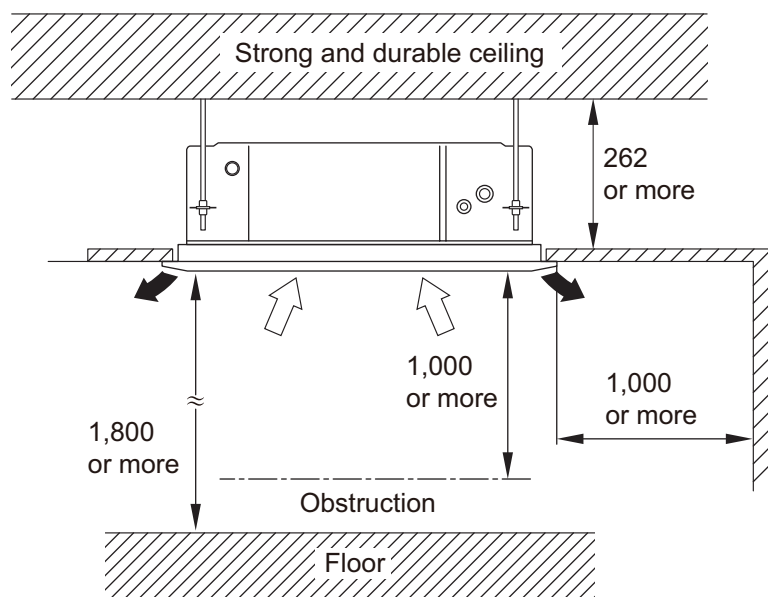


a: Ceiling openings

| a: Ceiling openings | | |
|--------------------------------------|----|------------|
| Cassette grille (Option [Grid type]) | mm | 580 to 610 |

■ Installation space requirement

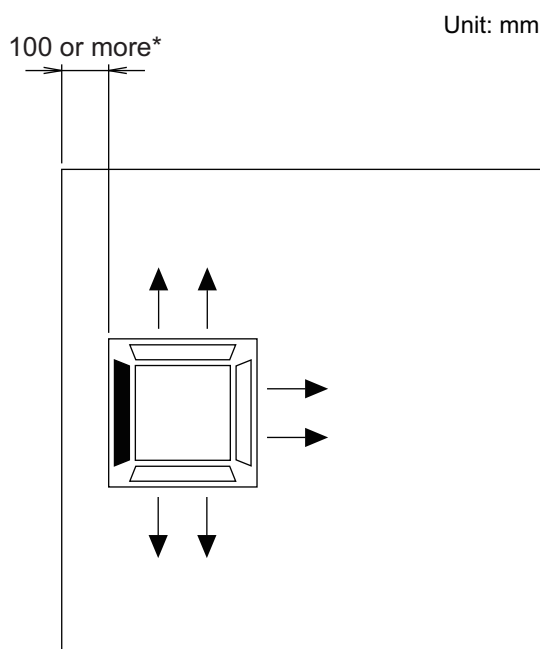
Unit: mm



Maximum height from floor to ceiling (Unit: mm)

| Maximum height from floor to ceiling (Unit: mm) | |
|---|-------|
| Standard | 2,700 |
| High ceiling | 3,000 |

3-way direction setting:



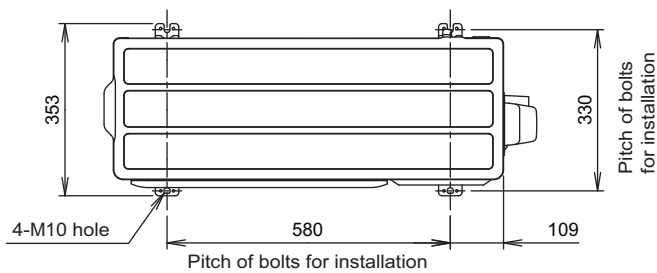
NOTES:

- To set "3-direction", optional Air outlet shutter plate (UTR-YDZB) must be installed, and the "outlet-direction" need to be switched to "3-way" by remote controller.
*When installing the indoor unit, be careful about the maintenance space.
- In 3-way outlet mode, changing of ceiling height setting by function setting 20 is prohibited.
(Ceiling height setting [function setting 20] is allowed to be changed only in 4-way outlet mode.)

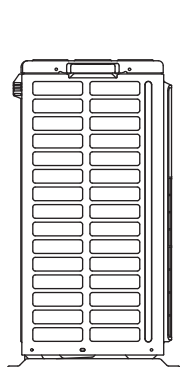
2-2. Outdoor unit

■ Model: AOYG24KATA

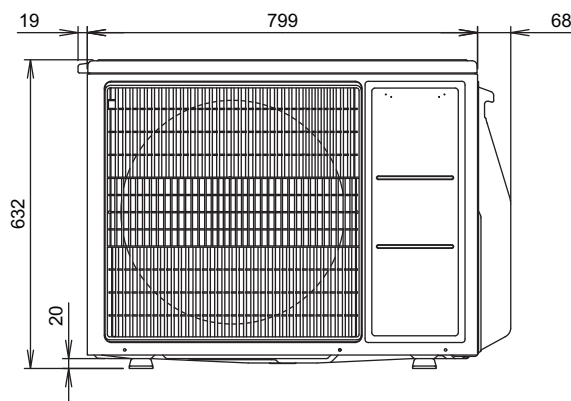
Unit: mm



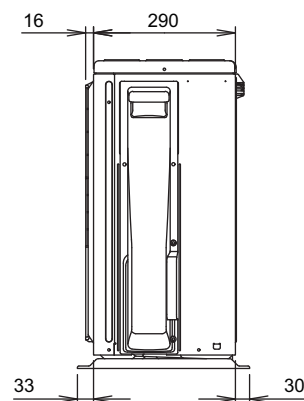
Top view



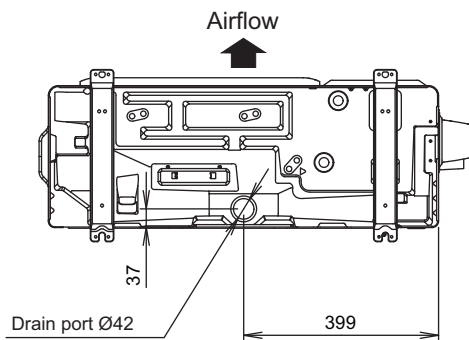
Side view



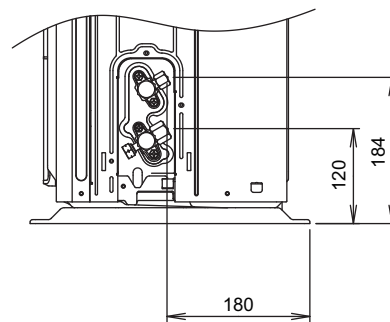
Front view



Side view



Bottom view



Side view (Valve part)

2. TECHNICAL DATA AND PARTS LIST

CONTENTS

2. TECHNICAL DATA AND PARTS LIST

| | |
|--|--------------|
| 1. Precautions | 02-1 |
| 2. Cassette grille (optional part) parts list | 02-2 |
| 2-1. Model: UTG-UFYF-W | 02-2 |
| 3. Indoor unit parts list | 02-5 |
| 3-1. Model: AUXG24KVLA | 02-5 |
| 4. Outdoor unit parts list | 02-10 |
| 4-1. Model: AOYG24KATA | 02-10 |
| 5. Accessories | 02-14 |
| 5-1. Indoor unit | 02-14 |
| 5-2. Outdoor unit..... | 02-14 |
| 6. Optional parts | 02-15 |
| 6-1. Indoor unit | 02-15 |
| 7. Refrigerant system diagrams | 02-18 |
| 7-1. Model: AOYG24KATA | 02-18 |
| 8. PC board diagrams | 02-19 |
| 8-1. Model: AOYG24KATA | 02-19 |
| 8-2. Model: AOYG24KATA | 02-20 |

1. Precautions

When you start servicing, pay attention to the following points. For detailed precautions, refer to the installation manual of the products.

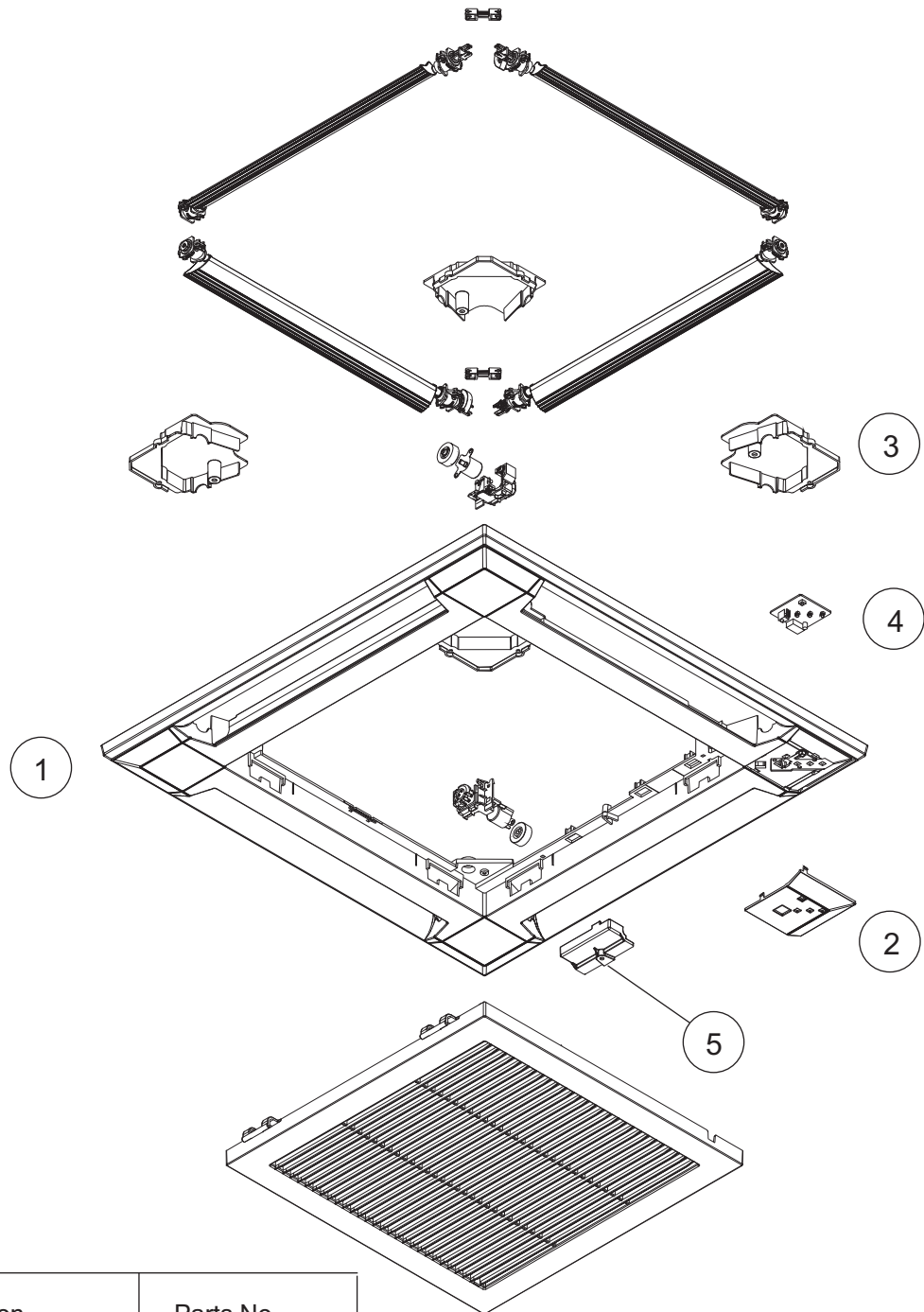
⚠ CAUTION

-
- Service personnel
 - Any person who is involved with working on or breaking into a refrigerant circuit should hold a current valid certificate from an industry-accredited assessment authority, which authorizes their competence to handle refrigerants safely in accordance with an industry recognized assessment specification.
 - Servicing shall only be performed as recommended by the equipment manufacturer. Maintenance and repair requiring the assistance of other skilled personnel shall be carried out under the supervision of the person competent in the use of flammable refrigerants.
 - Servicing shall be performed only as recommended by the manufacturer.
 - Work
 - Prior to beginning work on systems containing flammable refrigerants, safety checks are necessary to ensure that the risk of ignition is minimized. When repairing the refrigerant system, refer to the precautions written in the installation manual of the products before you start servicing.
 - Work shall be undertaken under a controlled procedure so as to minimize the risk of a flammable gas or vapor being present while the work is being performed.
 - All maintenance staff and others working in the local area shall be instructed on the nature of work being carried out.
 - Work in confined spaces shall be avoided.
 - The area around the workspace shall be sectioned off.
 - Ensure that the conditions within the area have been made safe by control of flammable material.
 - Checking for presence of refrigerant
 - The area shall be checked with an appropriate refrigerant detector prior to and during work, to ensure the technician is aware of potentially flammable atmospheres.
 - Ensure that the leak detection equipment being used is suitable for use with flammable refrigerants, i.e. non-sparking, adequately sealed or intrinsically safe.
-
- Service parts information and design are subject to change without notice for product improvement.
 - For the latest information of the service parts, refer to our Service Portal.
<https://fujitsu-general.force.com/portal/>
 - Precise figure of the service parts listed in this manual may differ from the actual service parts.

2. Cassette grille (optional part) parts list

2-1. Model: UTG-UFYF-W

■ Panels

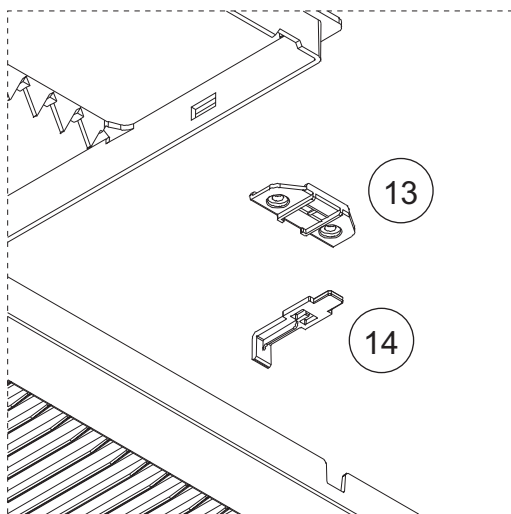
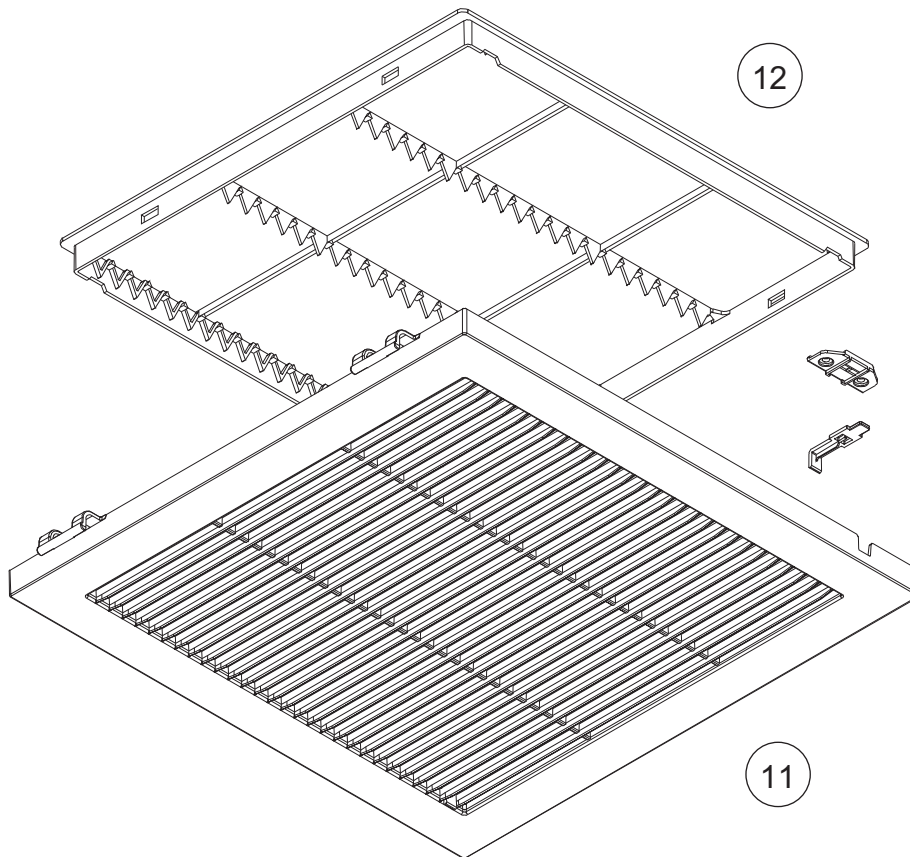


| Ref | Description | Parts No. |
|-----|---|------------|
| 1 | Decoration Panel without Insulations | 9382821005 |
| 2 | Display panel assy | 9383100031 |
| 3 | Panel Cover without Insulations | 9375530013 |
| 4 | Indicator PCB | 9711310002 |
| 5 | Connector Cover | 9375549015 |

■ Intake grille

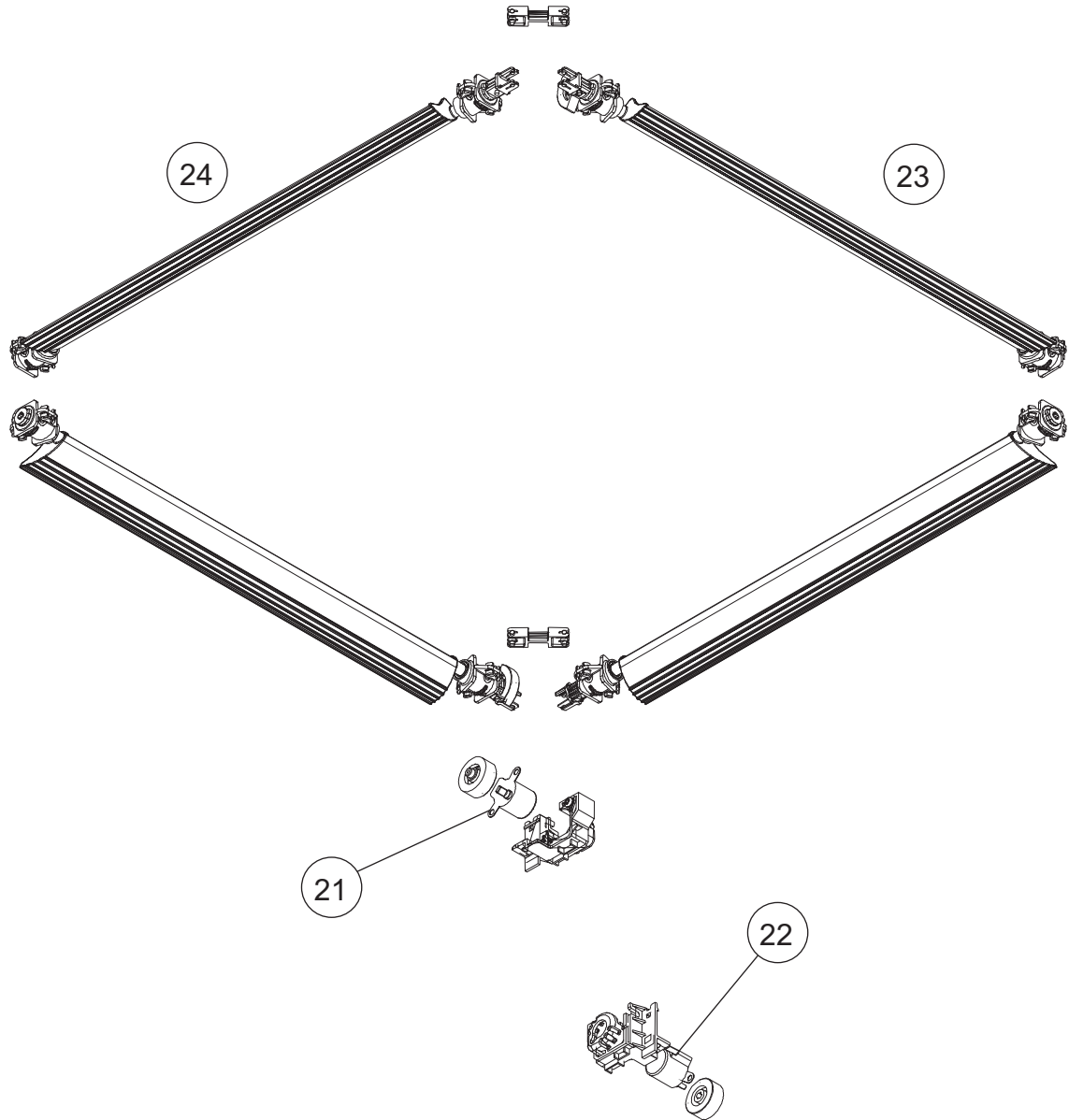
TECHNICAL DATA
AND PARTS LIST

TECHNICAL DATA
AND PARTS LIST



| Ref | Description | Parts No. |
|-----|------------------|------------|
| 11 | Intake grille | 9382863005 |
| 12 | Long Life Filter | 9375533014 |
| 13 | Hook bracket | 9375546014 |
| 14 | Grille hook | 9375532031 |

■ Louvers and motors

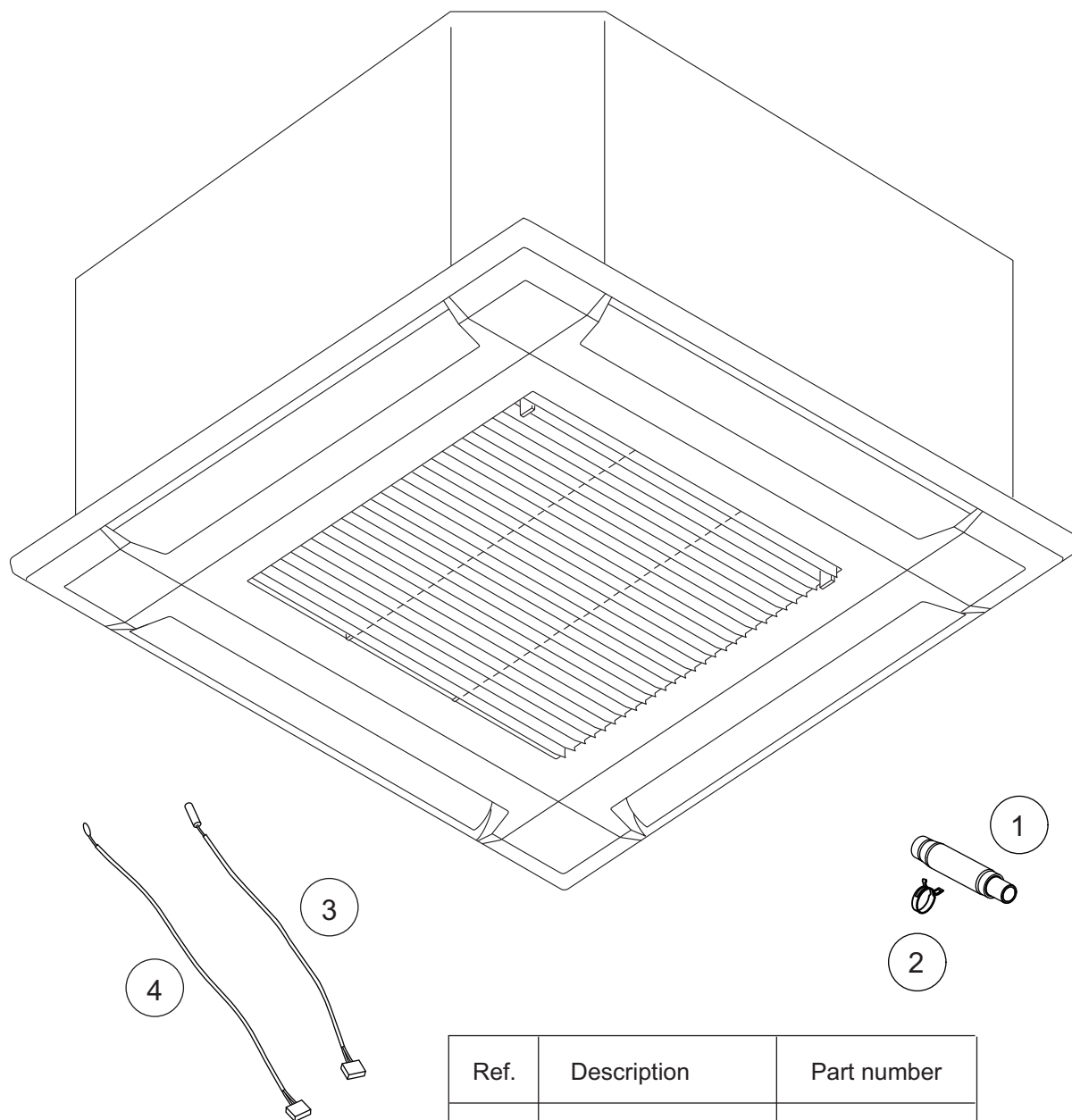


| Ref | Description | Parts No. |
|-----|------------------------------|------------|
| 21 | Step Motor (White connector) | 9900139070 |
| 22 | Step Motor (Red connector) | 9900139087 |
| 23 | Flap assy A | 9375727048 |
| 24 | Flap assy B | 9377759047 |

3. Indoor unit parts list

3-1. Model: AUXG24KVLA

■ Thermistors

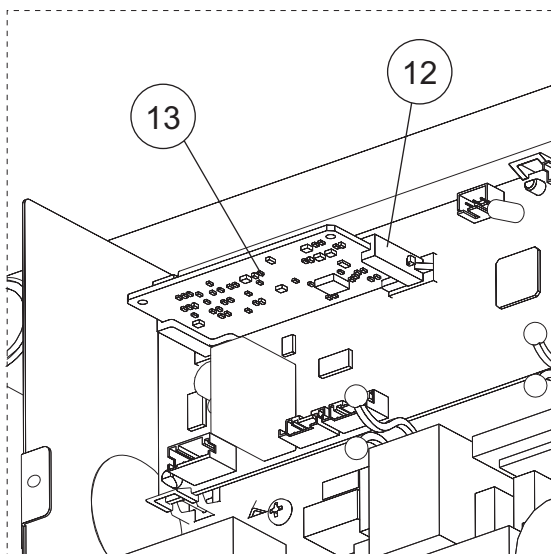
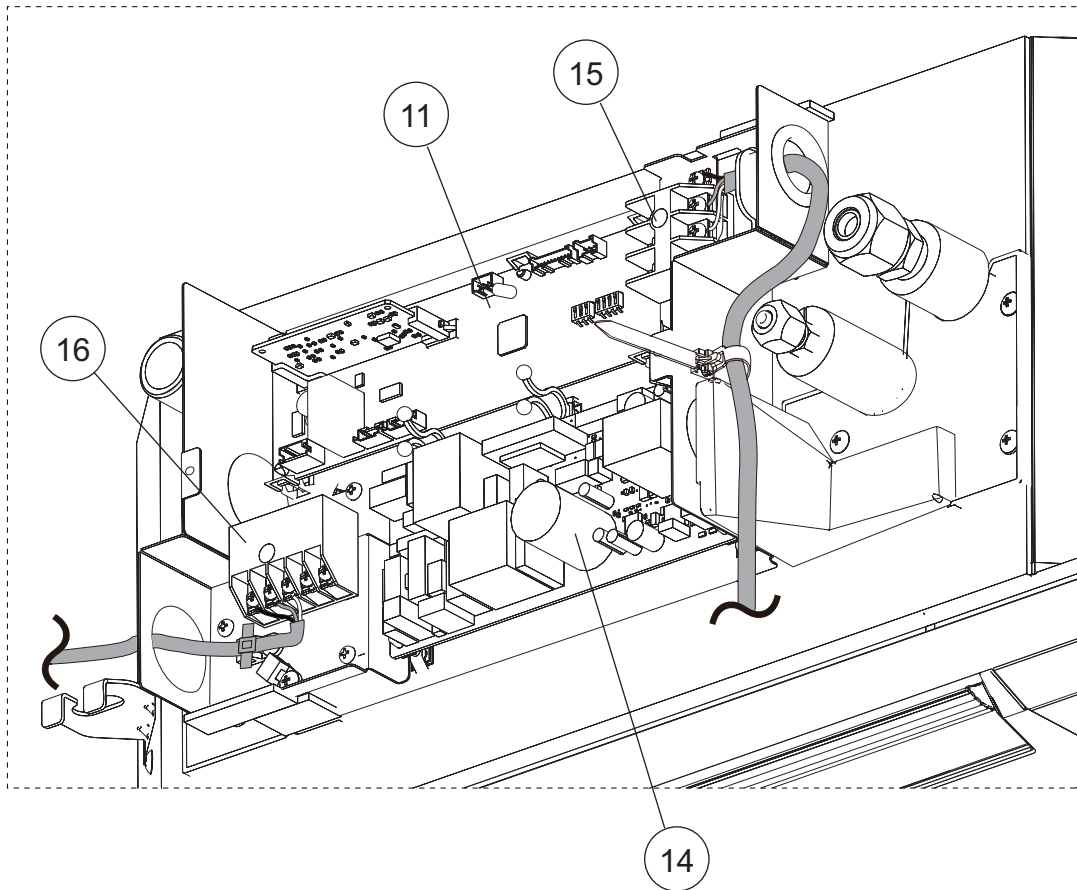


| Ref. | Description | Part number |
|------|-----------------|-------------|
| 1 | Drain hose | 9379665001 |
| 2 | Hose band | 9379757010 |
| 3 | Pipe Thermistor | 9900942038 |
| 4 | Room Thermistor | 9900826000 |

■ Main PC board

TECHNICAL DATA
AND PARTS LIST

TECHNICAL DATA
AND PARTS LIST

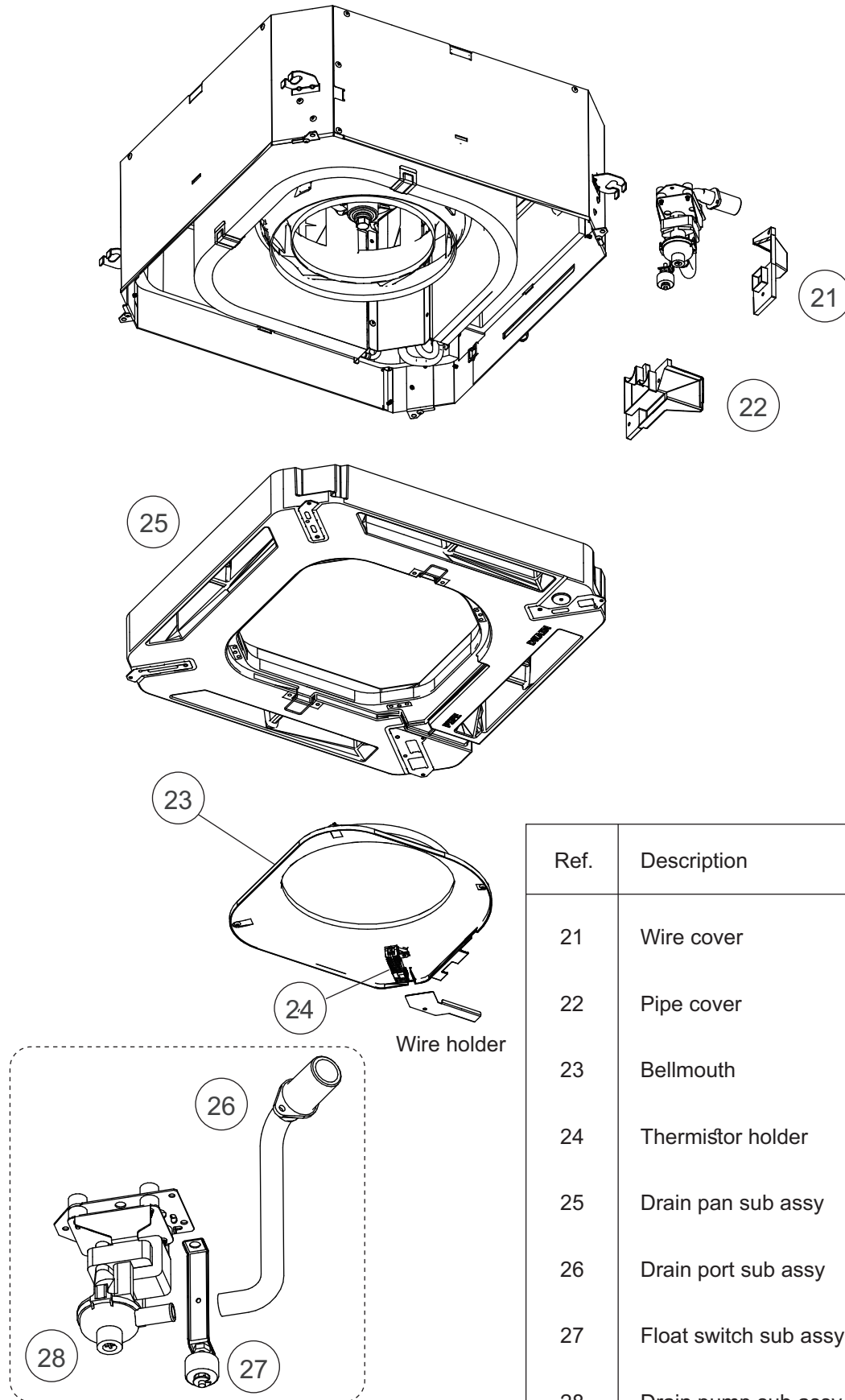


| Ref. | Description | Part number |
|------|-------------------|-------------|
| 11 | Main PCB | 9710995866 |
| 12 | Holder | 0600063023 |
| 13 | Communication PCB | 9710019005 |
| 14 | Power supply PCB | 9710661006 |
| 15 | Terminal | 9900568009 |
| 16 | Terminal | 9900896003 |

■ Drain pump

TECHNICAL DATA
AND PARTS LIST

TECHNICAL DATA
AND PARTS LIST

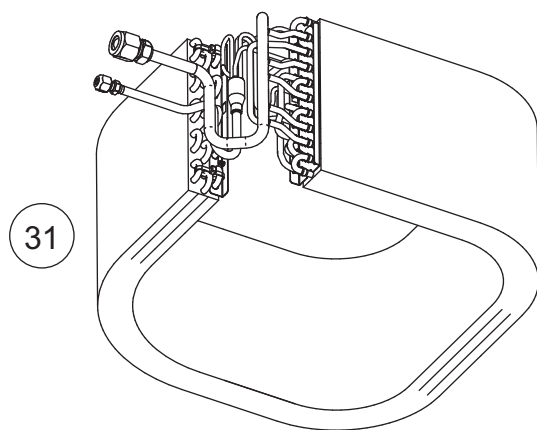
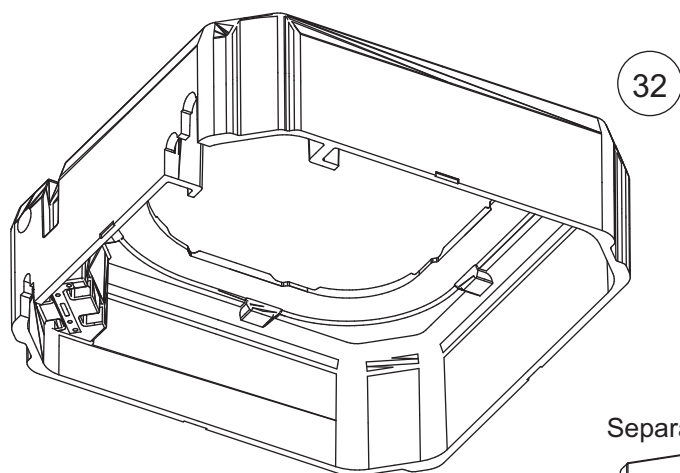
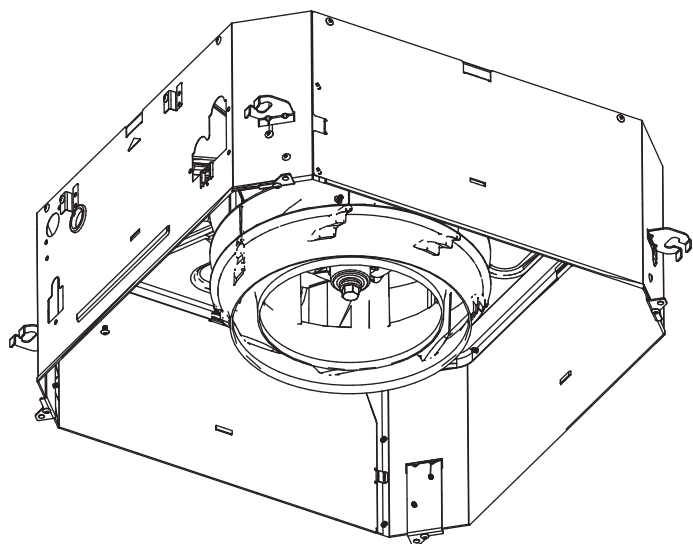


| Ref. | Description | Part number |
|------|-----------------------|-------------|
| 21 | Wire cover | 9375516017 |
| 22 | Pipe cover | 9375515010 |
| 23 | Bellmouth | 9375503017 |
| 24 | Thermistor holder | 9375477011 |
| 25 | Drain pan sub assy | 9377765017 |
| 26 | Drain port sub assy | 9375718015 |
| 27 | Float switch sub assy | 9375721046 |
| 28 | Drain pump sub assy | 9375717025 |

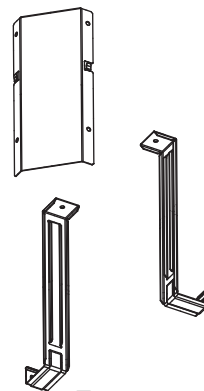
Evaporator

TECHNICAL DATA
AND PARTS LIST

TECHNICAL DATA
AND PARTS LIST



Separate wall



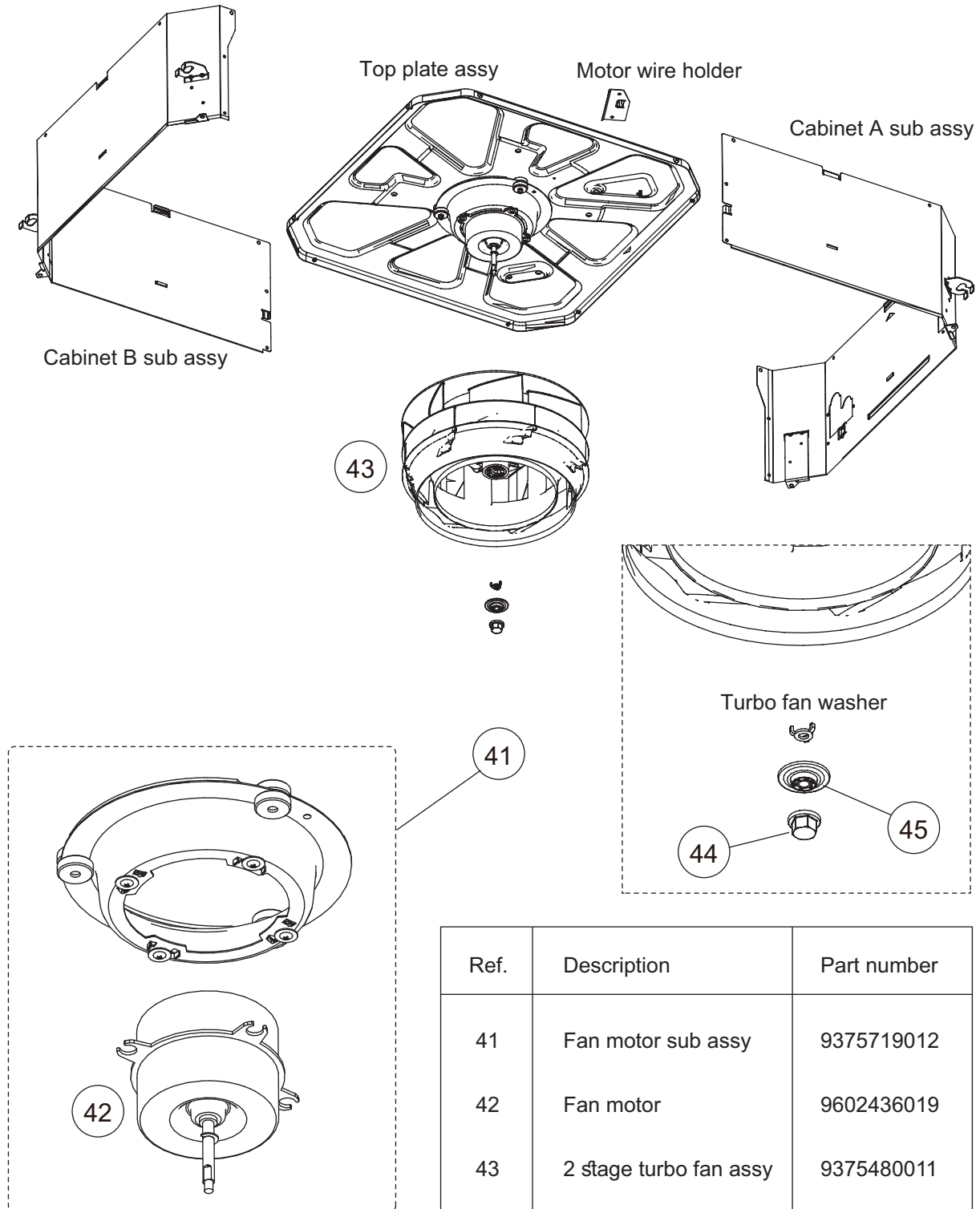
Evaporator holder

| Ref. | Description | Part number |
|------|----------------------------------|-------------|
| 31 | Evaporator total assy, completed | 9377914149 |
| 32 | Insulation box sub assy | 9377764058 |

■ Fan and motor

TECHNICAL DATA
AND PARTS LIST

TECHNICAL DATA
AND PARTS LIST



| Ref. | Description | Part number |
|------|------------------------|-------------|
| 41 | Fan motor sub Assy | 9375719012 |
| 42 | Fan motor | 9602436019 |
| 43 | 2 stage turbo fan Assy | 9375480011 |
| 44 | Shaft cap | 9377807014 |
| 45 | Washer cover | 9377811011 |

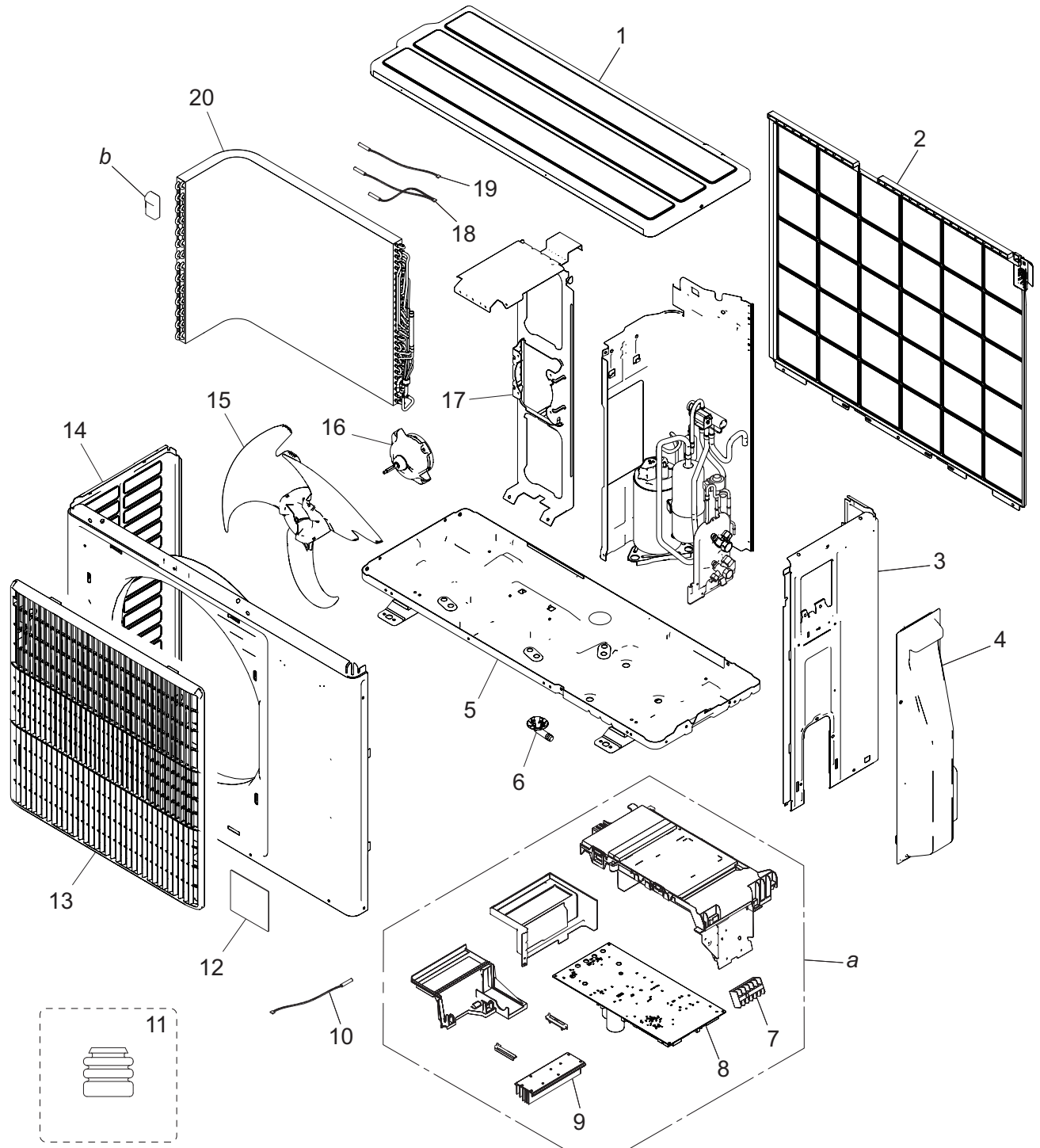
4. Outdoor unit parts list

4-1. Model: AOYG24KATA

■ Exterior parts and Chassis

TECHNICAL DATA
AND PARTS LIST

TECHNICAL DATA
AND PARTS LIST

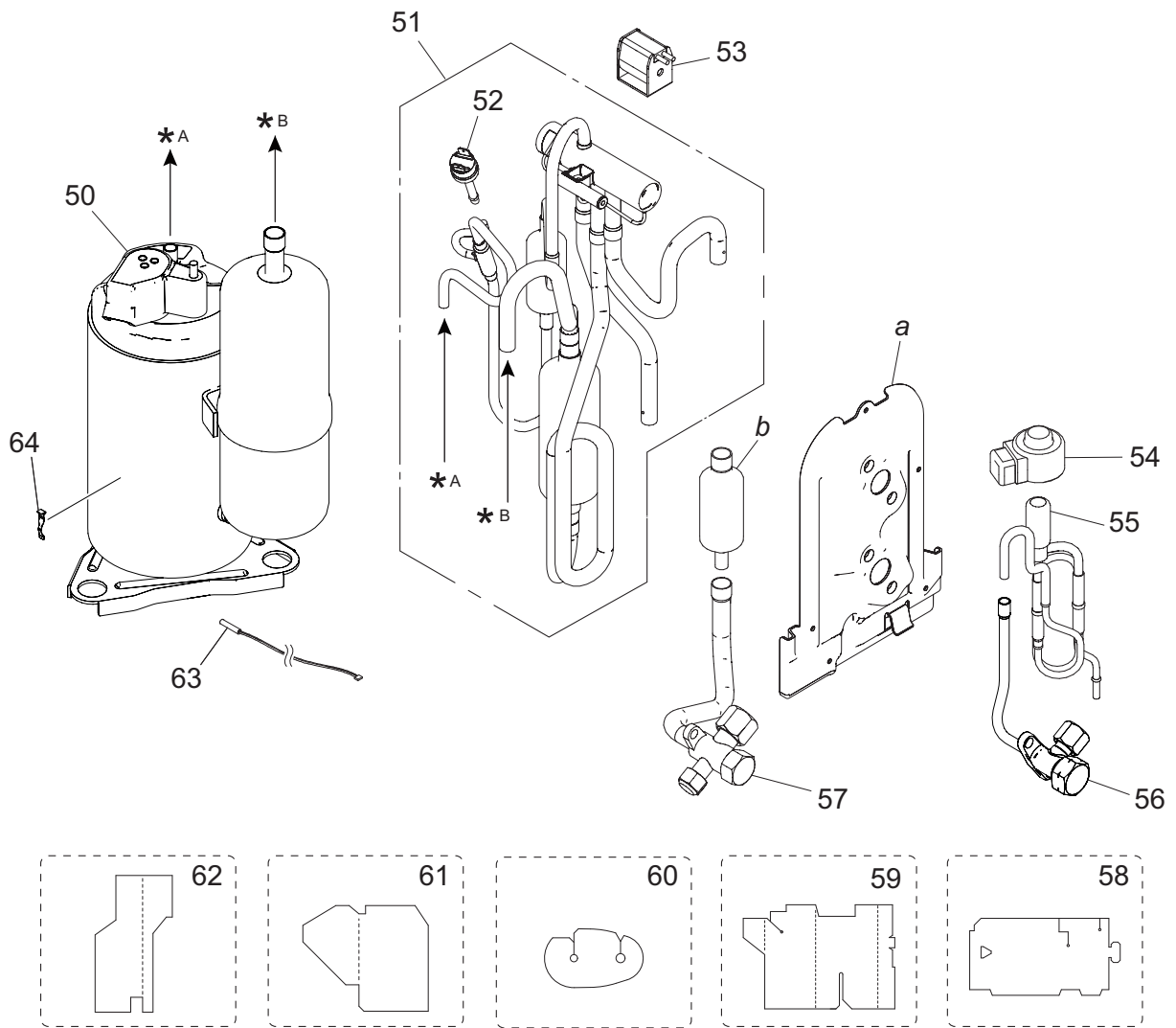


| Item no. | Part no. | Part name | Service part |
|----------|------------|------------------------------------|--------------|
| 1 | 9322556028 | Top panel assy | ◆ |
| 2 | 9322811028 | Protective net assy | ◆ |
| 3 | 9322552099 | Cabinet right assy | ◆ |
| 4 | 9322570024 | Switch cover assy | ◆ |
| 5 | 9322314024 | Base assy | ◆ |
| 6 | 9322144003 | Drain pipe | ◆ |
| 7 | 9900435028 | Terminal | ◆ |
| 8 | 9709685297 | Main PCB (Service) (for 22 model) | ◆ |
| | 9709685303 | Main PCB (Service) (for 24 model) | ◆ |
| 9 | 9322420039 | Heat sink | ◆ |
| 10 | 9900565060 | Thermistor assy (Outdoor temp.) | ◆ |
| 11 | 9322386007 | Cushion rubber | ◆ |
| 12 | 9319151007 | Emblem | ◆ |
| 13 | 9322149008 | Blow grille | ◆ |
| 14 | 9322555021 | Front panel assy | ◆ |
| 15 | 9322150004 | Propeller fan | ◆ |
| 16 | 9603601003 | Brushless motor | ◆ |
| 17 | 9322553027 | Motor bracket assy | ◆ |
| 18 | 9900984014 | Heat exchanger thermistor | ◆ |
| 19 | 9900727079 | Thermistor assy | ◆ |
| 20 | 9323834194 | Heat exchanger unit (for 22 model) | ◆ |
| | 9323834330 | Heat exchanger unit (for 24 model) | ◆ |
| <i>a</i> | — | Inverter assy | — |
| <i>b</i> | — | Hair pin cushion | — |

Compressor

TECHNICAL DATA
AND PARTS LIST

TECHNICAL DATA
AND PARTS LIST


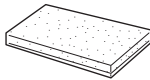
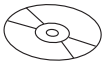


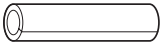
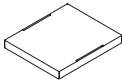
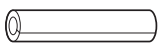




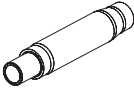


| Item no. | Part no. | Part name | Service part |
|----------|------------|-------------------------------|--------------|
| 50 | 9810521002 | Compressor | ◆ |
| 51 | 9383129032 | 4-way valve assy | ◆ |
| 52 | 9900186029 | Pressure switch | ◆ |
| 53 | 9970110160 | Solenoid | ◆ |
| 54 | 9970173028 | Expansion valve coil | ◆ |
| 55 | 9322463029 | Pulse motor valve assy | ◆ |
| 56 | 9322474001 | 2-way valve assy | ◆ |
| 57 | 9387831016 | 3-way valve assy | ◆ |
| 58 | 9322503008 | S-insulator B | ◆ |
| 59 | 9322847003 | S-insulator F | ◆ |
| 60 | 9322501004 | S-insulator H | ◆ |
| 61 | 9323045002 | S-insulator V | ◆ |
| 62 | 9322824004 | S-insulator K | ◆ |
| 63 | 9900985011 | Thermistor (Compressor temp.) | ◆ |
| 64 | 9810028006 | Thermistor stopper | ◆ |
| <i>a</i> | — | Valve bracket | — |
| <i>b</i> | — | Muffler | — |

5. Accessories


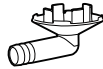
5-1. Indoor unit

■ Model: AUXG24KVLA

| Part name | Exterior | Q'ty | Part name | Exterior | Q'ty |
|-------------------------------------|---|------|---------------------------------|---|------|
| Operating manual |  | 1 | Drain hose insulation |  | 1 |
| Operating manual (CD-ROM) |  | 1 | Hose band |  | 1 |
| Installation manual |  | 1 | Coupler heat insulation (large) |  | 1 |
| Template (Carton top) |  | 1 | Coupler heat insulation (small) |  | 1 |
| M10 nut A (with flange) |  | 4 | Cable tie |  | 2 |
| M10 nut B (with spring lock washer) |  | 4 | Wire crammer |  | 1 |
| Drain hose |  | 1 | | | |

5-2. Outdoor unit

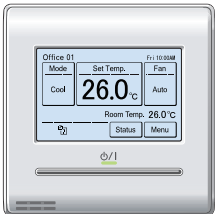
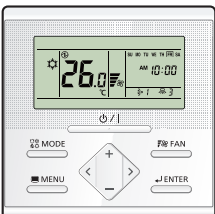
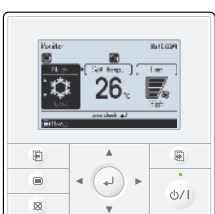
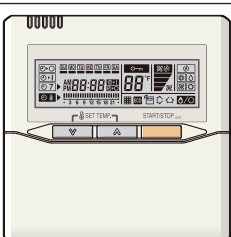

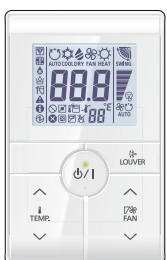
■ Model: AOYG24KATA



| Part name | Exterior | Q'ty | Part name | Exterior | Q'ty |
|---------------------|---|------|------------|---|------|
| Installation manual |  | 1 | Drain pipe |  | 1 |

6. Optional parts

6-1. Indoor unit

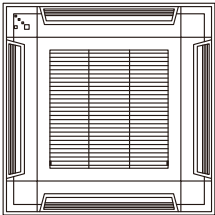
■ Controllers

| Exterior | Part name | Model name | Summary |
|---|--------------------------|------------|--|
|  | Wired remote controller | UTU-RNRYZ* | Easy finger touch operation with LCD panel. Backlit LCD enables easy operation in a dark room. Wire type: Non-polar 2-wire |
|  | Wired remote controller | UTU-RLRY | High visibility and easy operation. Room temperature can be accurately controlled using the built-in thermo sensor. Wire type: Non-polar 2-wire |
|  | Wired remote controller | UTU-RVNYM | Large and full-dot liquid crystal screen, wide and large keys easy to press, user-intuitive arrow key. Wire type: Polar 3-wire |
|  | Wired remote controller | UTU-RNNYM | Room temperature can be controlled by detecting the temperature accurately with built-in thermo sensor. Wire type: Polar 3-wire |
|  | Simple remote controller | UTU-RSRY | Compact remote controller concentrates on the basic functions such as Start/Stop, fan control, temperature setting, and operation mode. Wire type: Non-polar 2-wire |
|  | Simple remote controller | UTU-RHRY | Compact remote controller concentrates on the basic functions such as Start/Stop, fan control, and temperature setting. Wire type: Non-polar 2-wire |



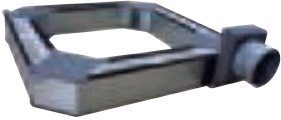
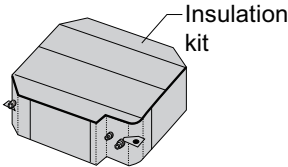




| Exterior | Part name | Model name | Summary |
|---|----------------------------|------------|--|
|  | Simple remote controller | UTY-RSNYM | Compact remote controller concentrates on the basic functions such as Start/Stop, fan control, temperature setting, and operation mode. Wire type: Polar 3-wire |
|  | Wireless remote controller | UTY-LNTY | Unit control is performed by wireless remote controller. |

NOTE: Available functions may differ by the remote controller. For details, refer to the operation manual.

■ Cassette grille

| Exterior | Part name | Model name | Summary |
|---|-----------------|------------|--|
|  | Cassette grille | UTG-UFYF-W | This cassette grille can be installed appropriately on the grid type ceiling common in the office. |

Others

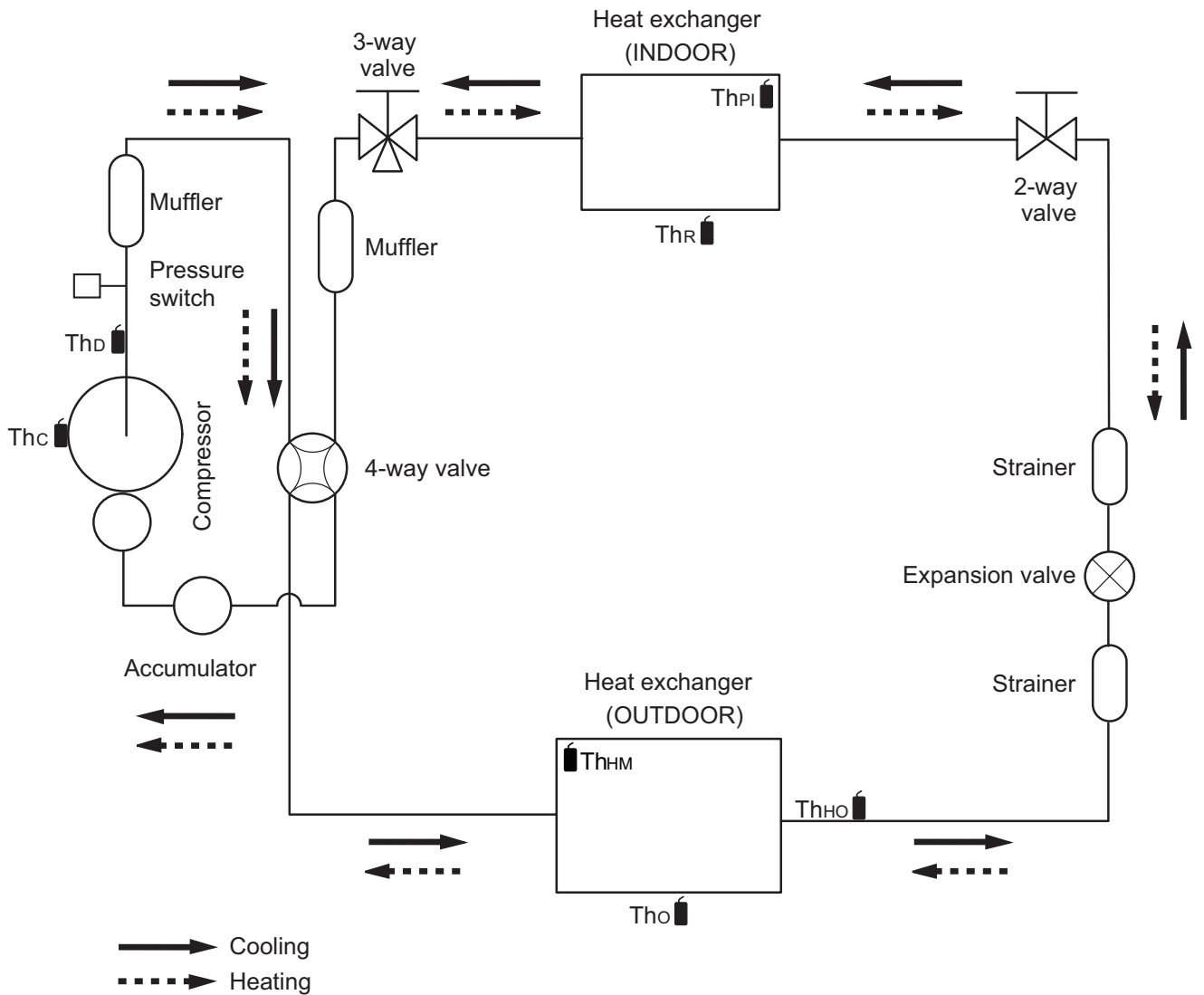
| Exterior | Part name | Model name | Summary |
|---|------------------------------|------------|--|
|  | External connect kit | UTY-XWZXZG | Use to connect with various peripheral devices and air conditioner PCB. For control output port. |
|  | Air outlet shutter plate | UTR-YDZB | Installed at the air outlet when 3-directions mode is performed. |
|  | Fresh-air intake kit | UTZ-VXAA | By attaching Fresh-air intake kit to the indoor unit, it can be taken in fresh air of up to 10% of "high" air volume of the indoor unit. |
|  | Insulation for high humidity | UTZ-KXGC | Install when the under-roof condition is expected to be the humidity of over 80% and the temperature of over 30 °C. |
|  | Wireless LAN adapter | UTY-TFSXZ1 | Remotely manage an air conditioning system using mobile devices such as smartphones and tablets. For connection indoor unit with UART interface. |
|  | Modbus converter | UTY-VMSX | For connection between indoor unit with UART interface and a Modbus open network. |
|  | KNX converter | UTY-VKSX | For connection between indoor unit with UART interface and a KNX open network. |
|  | External switch controller | UTY-TERX | Air conditioner switching can be controlled by connecting other external sensor switches. |

NOTE: Combined use of following optional parts and Wireless LAN adapter (UTY-TFSXZ1) is not allowed.

- Modbus converter
- KNX converter

7. Refrigerant system diagrams

7-1. Model: AOYG24KATA



- Th_C : Thermistor (Compressor temperature)
- Th_D : Thermistor (Discharge temperature)
- Th_O : Thermistor (Outdoor temperature)
- Th_{HO} : Thermistor (Heat exchanger out temperature)
- Th_{HM} : Thermistor (Heat exchanger middle temperature)
- Th_R : Thermistor (Room temperature)
- Th_{PI} : Thermistor (Pipe temperature)

8-2. Model: AOYG24KATA

INVERTER ASSEMBLY EZ-019FHUE

TECHNICAL DATA
AND PARTS LIST

TECHNICAL DATA
AND PARTS LIST

