



**BITZER Output data**

Created on : 01.01.2020 18:57:22



## Table of content

Project survey.....	3
Selection: Semi-hermetic Reciprocating Compressors.....	4
Technical Data: 4GE-30Y.....	5
Information: Semi-hermetic Reciprocating Compressors.....	6
Selection: Horizontal receivers.....	8
Information: Liquid receiver.....	9
Selection: IQ MODULE.....	10
Technical Data: CM-RC-01.....	11
Information: IQ MODULE.....	12



## Project survey

### **Selected compressors**

Semi-hermetic Reciprocating Compressors 1x 4GE-30Y

### **Chosen accessory**

[Horizontal receivers](#)

[IQ MODULE](#)

1x CM-RC-01



### Selection: Semi-hermetic Reciprocating Compressors

#### Input Values

Compressor model Mode	4GE-30Y Refrigeration and Air conditioning	Suction gas temperature Operating mode	20,00 °C Auto
Refrigerant	R449A	Power supply	400V-3-50Hz
Reference temperature	Dew point temp.	Capacity control	100%
Liq. subc. (in condenser)	0 K	Useful superheat	100%

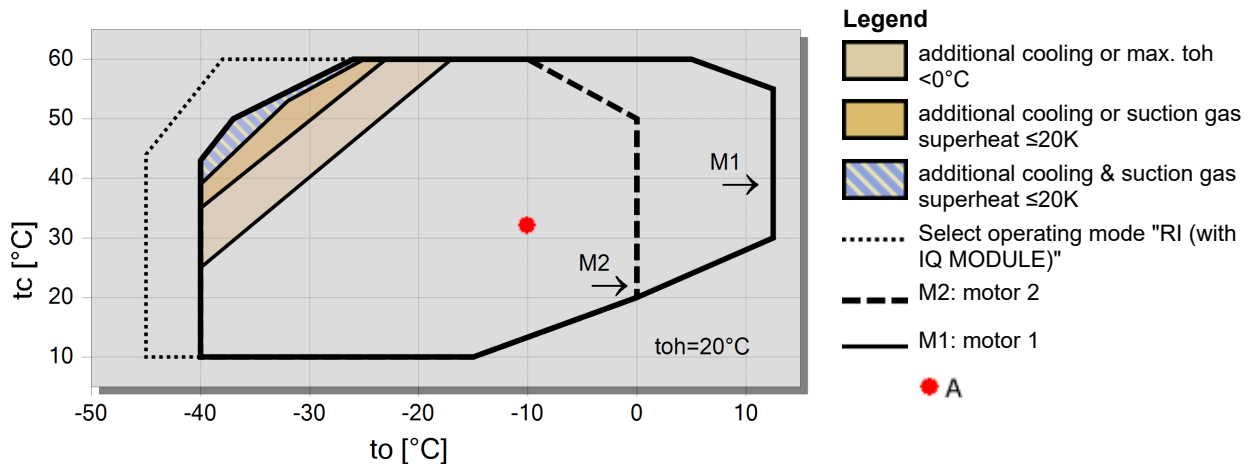
#### Result

Q [W]	Cooling capacity	COP [ - ]	COP/EER
Qu* [W]	Evaporator capacity	m [kg/h]	Mass flow
P [kW]	Power input	Op.	Operating mode
I [A]	Current	th [°C]	Discharge gas temp. w/o cooling
Qc [W]	Condenser capacity		

tc	to	10°C	5°C	0°C	-5°C	-10°C	-15°C	-20°C	-25°C
30°C	Q [W]	112995	94264	78130	64238	52303	42085	33379	26005
	Qu* [W]	112995	94264	78130	64238	52303	42085	33379	26005
	P [kW]	15,86	15,83	15,50	14,90	14,08	13,07	11,93	10,70
	I [A]	30,0	30,0	29,5	28,7	27,7	26,4	25,0	23,6
	Qc [W]	128854	110098	93630	79138	66379	55158	45312	36704
	COP [ - ]	7,13	5,95	5,04	4,31	3,72	3,22	2,80	2,43
	m [kg/h]	2315	1907	1563	1274	1029	823	649	503
	Op.	Standard	Standard	Standard	Standard	Standard	Standard	Standard	Standard
	th [°C]	54,2	61,2	68,4	76,1	84,2	92,9	102,4	113,0
	40°C	Q [W]	99232	82631	68309	55967	45362	36289	28569
Qu* [W]		99232	82631	68309	55967	45362	36289	28569	22045
P [kW]		19,66	19,11	18,29	17,23	15,98	14,59	13,09	11,54
I [A]		35,3	34,5	33,4	31,9	30,2	28,3	26,4	24,6
Qc [W]		118888	101739	86594	73197	61347	50881	41664	33581
COP [ - ]		5,05	4,32	3,74	3,25	2,84	2,49	2,18	1,91
m [kg/h]		2240	1839	1502	1218	979	778	609	467
Op.		Standard	Standard	Standard	Standard	Standard	Standard	Standard	Standard
th [°C]		66,1	73,3	80,8	88,8	97,2	106,4	116,4	127,7
50°C		Q [W]	84799	70456	58058	47365	38177	30324	23654
	Qu* [W]	84799	70456	58058	47365	38177	30324	23654	18033
	P [kW]	22,9	21,9	20,6	19,19	17,58	15,84	14,03	12,18
	I [A]	40,1	38,6	36,8	34,7	32,4	30,0	27,6	25,3
	Qc [W]	107674	92338	78698	66555	55753	46165	37683	30216
	COP [ - ]	3,71	3,22	2,81	2,47	2,17	1,91	1,69	1,48
	m [kg/h]	2145	1754	1427	1151	919	724	561	426
	Op.	Standard	Standard	Standard	Standard	Standard	Standard	Standard	Standard
	th [°C]	78,3	85,7	93,5	101,8	110,8	120,7	131,6	0

-- No calculation possible (see message in single point selection)  
 \*According to EN12900 (20°C suction gas temp., 0K liquid subcooling)

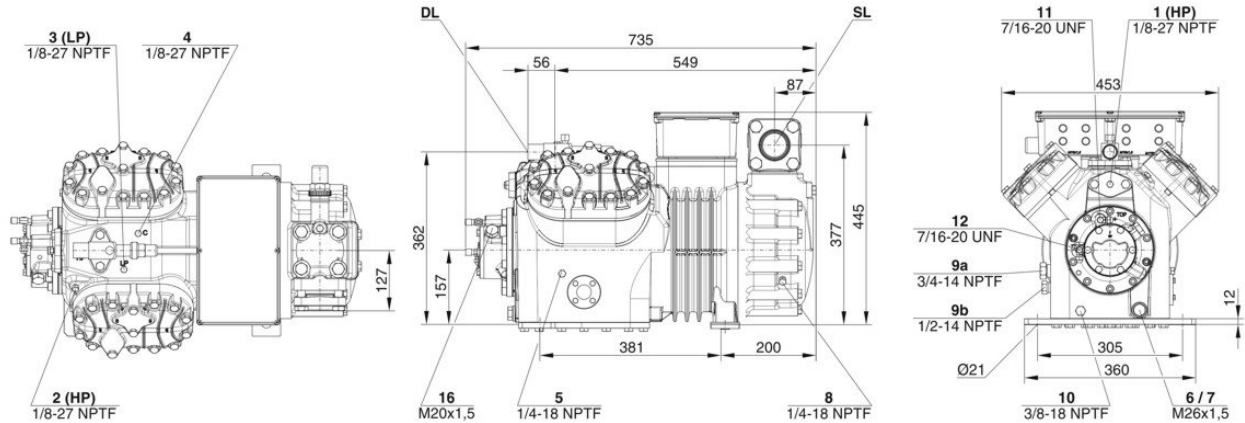
#### Application Limits 100% 4GE-30





## Technical Data: 4GE-30Y

### Dimensions and Connections



### Technical Data

#### Technical Data

Displacement (1450 RPM 50Hz)	84,5 m <sup>3</sup> /h
Displacement (1750 RPM 60Hz)	101,98 m <sup>3</sup> /h
No. of cylinder x bore x stroke	4 x 75 mm x 55 mm
Weight	206 kg
Max. pressure (LP/HP)	19 / 32 bar
Connection suction line	54 mm - 2 1/8"
Connection discharge line	28 mm - 1 1/8"
Oil type R134a/R407C/R404A/R507A/R407A/R407F	BSE32(Standard)   R134a tc>70°C: BSE55 (Option)
Oil type R22 (R12/R502)	B5.2(Option)
Oil type R1234yf/R1234ze	BSE32 (Standard)   R1234ze tc>70°C & to>0°C: BSE55 (Option)   R1234ze to>15°C: BSE85K (Option)

#### Motor data

Motor version	1
Motor voltage (more on request)	380-420V PW-3-50Hz
Max operating current	51.2 A
Winding ratio	50/50
Starting current (Rotor locked)	141.0 A Y / 233.0 A YY
Max. Power input	28,0 kW

#### Extent of delivery (Standard)

Motor protection	SE-B2, CM-RC-01(Option)
Enclosure class	IP54 (Standard), IP66 (Option)
Vibration dampers	Standard
Oil charge	4,50 dm <sup>3</sup>
Discharge shut-off valve	Standard
Suction shut-off valve	Standard

#### Available Options

Discharge gas temperature sensor	Option
Start unloading	Option
Capacity control	100-50% (Option)
Capacity Control - infinite	100-10% (Option)
Additional fan	Option
Oil service valve	Option
Crankcase heater	140 W (Option)
Oil pressure monitoring	MP54 (Option), Delta-PII

#### Sound measurement

Sound power level (+5°C / 50°C)	81,5 dB(A) @50Hz
Sound power level (-10°C / 45°C)	81,0 dB(A) @50Hz
Sound power level (-35°C / 40°C)	86,5 dB(A) @50Hz
Sound pressure level @ 1m (+5°C / 50°C)	73,5 dB(A) @50Hz
Sound pressure level @ 1m (-10°C / 45°C)	73 dB(A) @50Hz
Sound pressure level @ 1m (-35°C / 40°C)	78,5 dB(A) @50Hz
Sound power level (+5°C / 50°C) R134a	79,5 dB(A) @50Hz
Sound power level (-10°C / 45°C) R134a	79 dB(A) @50Hz
Sound pressure level @ 1m (+5°C / 50°C) R134a	71 dB(A) @50Hz
Sound pressure level @ 1m (-10°C / 45°C) R134a	71 dB(A) @50Hz



## Semi-hermetic Reciprocating Compressors

**Motor 1** = e.g. 4TES-12 with 12 "HP", primary for air-conditioning (e.g. R22,R407C) and air-conditioning with R134a at high ambient temperatures.

**Motor 2** = e.g. 4TES-9 with 8 "HP", universal Motor for medium and low temperature application (e.g. R404A, R507A, R407A, R407F) and air-conditioning with R134a

**Motor 3** = e.g. 4TES-8, for medium temperature applications and R134a

For more information concerning the application range use the "Limits" button.

### Operation modes 4VES-7 to 6FE-44 and 44JE-30 to 66FE-88 with R407F/R407A/R22

CIC = liquid injection with low temperature application, suction gas cooled motor.

### ASERCOM certified performance data

The Association of European Refrigeration Component Manufacturers has implemented a procedure of certifying performance data. The high standard of these certifications is assured by:

- \* plausibility tests of the data performed by experts.
- \* regular measurements at independent institutes.

These high efforts result in the fact that only a limited number of compressors can be submitted. Due to this not all BITZER compressors are certified until now. Performance data of compressors which fulfil the strict requirements may carry the label "ASERCOM certified". In this software you will find the label at the respective compressors on the right side below the field "result" or in the print out of the performance data. All certified compressors and further information are listed on the homepage of ASERCOM.

### Condensing capacity

The condensing capacity can be calculated with or without heat rejection. This option can be set in the menu Program  Options. The heat rejection is constantly 5 % of the power consumption. The condensing capacity is to be found in the line Condensing cap. (with HR) resp. Condensing capacity.

### Data for sound emission

Data based on 50 HZ application (IP-units 60 Hz) and R404A if not declared.

Sound pressure level: values based on free field area conditions with hemispherical sound emission in 1 meter distance.

### General remarks regarding sound data

Listed sound data were measured under testing conditions in our laboratory. For this purpose the free-standing test sample is mounted on a solid foundation plate and the pipework is connected vibration-free to the largest extent possible. Suction and discharge lines are fixed in a flexible configuration, such that a transmission of vibrations to the environment can be largely excluded. In real installations considerable differences might be observed, compared to the measurements in the laboratory. The airborne sound emitted by the compressor can be reflected from surfaces of the system and this may increase the airborne sound level measured close to the compressor. Vibrations caused by the compressor are also transferred to the system by the compressor feet and piping depending on the damping ratio of the fixings. Thus, the vibrations can induce other components to such an extent that these components contribute to an increase in airborne sound emission. If required, the transfer of vibrations to the system can be minimized by suitable fixing and damping elements.

### Legend of connection positions according to "Dimensions":

- 1 High pressure connection (HP)
- 2 Connection for discharge gas temperature sensor (HP) (for 4VE(S)-6Y .. 4NE(S)-20(Y) connection for CIC sensor as alternative)
- 3 Low pressure connection (LP)
- 4 CIC system: injection nozzle (LP)
- 4b Connection for CIC sensor
- 4c Connection for CIC sensor (MP / operation with liquid subcooler)
- 5 Oil fill plug
- 6 Oil drain
- 7 Oil filter (magnetic screw)
- 8 Oil return (oil separator)
- 8\* Oil return with NH3 and insoluble oil
- 9 Connection for oil and gas equalization (parallel operation)
- 9a Connection for gas equalization (parallel operation)
- 9b Connection for oil equalization (parallel operation)
- 10 Oil heater connection
- 11 Oil pressure connection +
- 12 Oil pressure connection –
- 13 Cooling water connection
- 14 Intermediate pressure connection (MP)
- 15 Liquid injection (operation without liquid subcooler and with thermostatic expansion valve)
- 16 Connection for oil monitoring (opto-electrical oil monitoring "OLC-K1" or differential oil pressure switch "Delta-PII")



- 17 Refrigerant inlet at liquid subcooler
  - 18 Refrigerant outlet at liquid subcooler
  - 19 Clamp space
  - 20 Terminal plate
  - 21 Maintenance connection for oil valve
  - 22 Pressure relief valve to the atmosphere (discharge side)
  - 23 Pressure relief valve to the atmosphere (suction side)
  - 24 IQ MODULE
  - SL Suction gas line
  - DL Discharge gas line
- Dimensions can show tolerances according to EN ISO 13920-B.



## Selection: Horizontal receivers

### Input Values

Common	Yes
Auto	
Operating point	Auto

### Operating Points

	<b>A</b>
to [°C]	-10
tc [°C]	32

### Result





Selection of the receivers:

1) "Approx. according to cooling capacity":

The receiver volume is determined by the design of the unit, the operating mode and the function of the receiver (receiving the complete refrigerant charge in the receiver or only compensating capacity variations). When selected via cooling capacity, an approximate selection of the receiver is obtained. Receivers in systems with long pipelines, winter control or in very compact systems should be selected according to method 2).

2) "According to refrigerant charge in the receiver":

The calculation is made on the basis of the specified refrigerant charge. The receiver volume is determined at 20°C and at a maximum filling charge of 95% of the possible receiver content.

Compressor units equipped with receiver

The BITZER range of products comprises compressor units with horizontal receivers. In the output window of the accessories these units, which are included in the standard delivery, are marked with "mounted" in the compressor unit line. Units that can be mounted, but are not included in the Bitzer delivery program, are marked with "single parts". Units in which the compressor does not fit onto the receiver are marked with "--".



## Selection: IQ MODULE

### Result

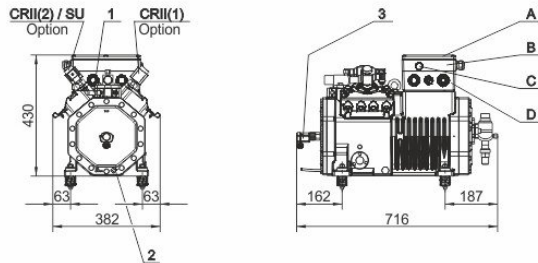
Quantity	Selection	Extent of Delivery	Functionality
1	CM-RC-01 Basis Package for 4JE-13 .. 6FE-50	CM-RC-01 mounted in the extension terminal box with all actuators and sensors wired	Data logging of operating conditions, compressor start function (contactors), Modbus communication, Bluetooth
		Motor temperature sensor (PTC)	Motor overheat protection
		Discharge gas temperature sensor (PT1000)	Compressor discharge temperature protection and recording
		Oil pressure sensor (DP-1)	Oil pressure monitoring and recording
		Crankcase heater	Automated oil heater control
1	VARISTEP valve for 4JE-13 .. 6FE-50	VARISTEP solenoid valve with coil mounted and wired	Automated and quasi stepless capacity adaptation between 50 and 100% (0..10V Input). 2 x VARISTEP: 33..66..100%. See also KT-101.
1	SU valve for 4JE-13 .. 6FE-50	SU solenoid valve with coil mounted and wired	Unloading of the compressor for reduced starting current and torque



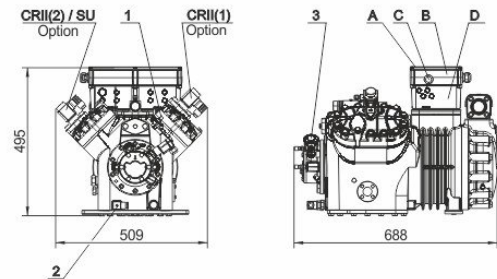
## Technical Data: CM-RC-01

### Dimensions and Connections

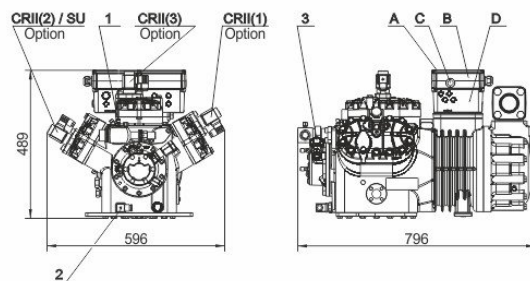
4VES .. 4NES



4JE .. 4FE



6JE .. 6FE



### Technical Data

#### Electrical data

Operating Voltage	115V-230V +10%/-15%
Required fuse	8A @ 115V / 4A @ 230V
Enclosure class for module housing of 4VES-6 .. 6FE-50	IP65
Enclosure class for module housing of 8GE-50 .. 8FE-70	IP54
Allowable ambient temperature	-30°C / 70°C
Maximum allowable altitude	2000m
Allowable relative humidity	5%-95%

#### Extent of delivery (Standard)

Interfaces:

- Modbus RTU
- Bluetooth

Real-time clock



Legend of connection positions according to "Dimensions":

- 1 Discharge gas temperature sensor
- 2 Crankcase heater
- 3 Oil level sensor (OLC-D1) / Oil pressure sensor (DP-1)
- A Terminal box cover
- B Compressor module housing
- C LED sight glass
- D Compressor terminal box