

ROEN EST S.p.A.

34077 Ronchi dei Legionari (GO) - Italy

Tel.: +39 0481 474140 - Fax: +39 0481 779997

http: www.roenest.com - e-mail: info@roenest.com

ROENEST
GROUP
HEAT EXCHANGERS AND MORE

Client:

Attention of:

Your rif.:

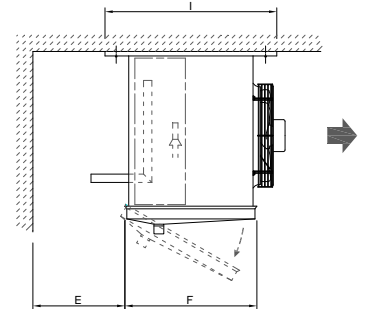
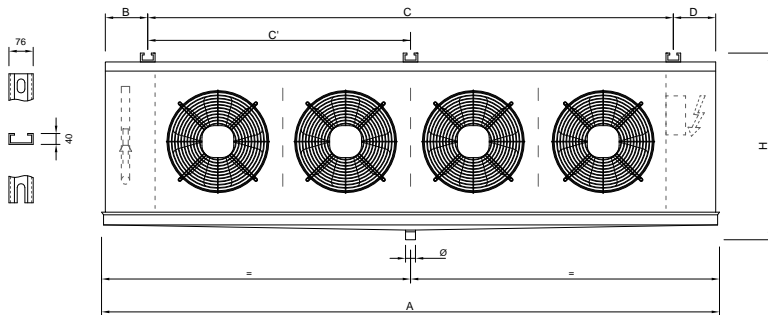
Our rif.:

FC.N.45.4.08-4T-D

Operator:

REVENT 1.2.94

Date: 09.01.2021 15.57



Capacity (kW) 25,97

Electric Defrost (kW) 12,6

AIR

Flow (m³/h) 19500
Temp.IN (°C) 0
Air Throw (m) 25

EXCHANGER

FINS

Fins material AL
Fin pitch (mm)
Surface (m²) 151

FLUID

R449a
Temp.Evap. (dew) (°C) -8

TUBES

Material CU
Volume (dm³) 24

FANS

Nr. 4
Diameter (mm) 450
RPM (min⁻¹) 1400
Supply line (V/P/Hz) 400/3/50
Current (A) 4x0,9
Capacity (W) 4x590

HEADERS

Material CU
IN (mm) 28
OUT (mm) 42

DIMENSIONS

Length(A) (mm) 3250
Width(F) (mm) 550
Height(H) (mm) 740
Fixing brackets(C) (mm) 2930
Weight (kg) 166

NOISE

Pressure level (dB(A)) 56
Distance (m) 5

Frost Factor Correction 6/24h

Ventilator data are approximated

Attention!! Thanks to the continuous evolution of the products that Roen Est develops, the measures and technical solutions reported here may not correspond to the latest versions. Please, contact the Roen Est Technical Office to have the appropriate confirmations.