



Condensing unit  
Voltage Code : FZ

# WINAJ2464Z-FZ

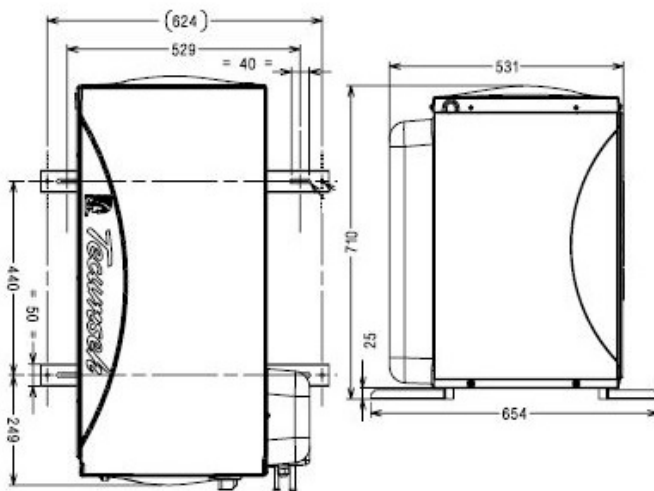
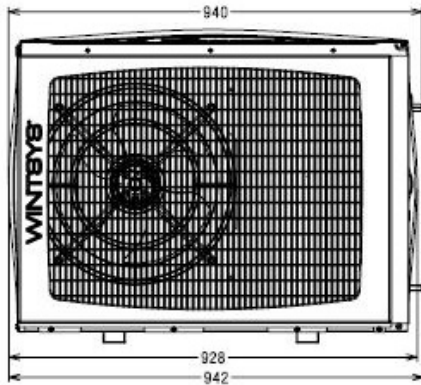
Low Temp. Commercial (BP)

220 - 240V 1~ 50 Hz

R452A / R404A / R448A / R449A

WINAJ2464Z-FZ

Conditions	Frequency	Nominal Cooling Capacity		Sound Power ISO3745 / ISO 3743-1
		Watts	BTU/h	
EN13215 / R452A	50 Hz	867	2955	59 dBA
EN13215 / R404A	50 Hz	957	3265	59 dBA
EN13215 / R448A	50 Hz	706	2408	59 dBA
EN13215 / R449A	50 Hz	706	2409	59 dBA



\* EN13215 : T°Ambient 32.0°C / T°Evap. -35.0°C / T°Return gas temp.. 20.0°C  
T°Subcooling. 3.0K

<b>Net Weight (Kg)</b>	65.0
<b>Expansion device</b>	Expansion_Valve
<b>Air Flow (m³/h)</b>	1650
<b>Compo Data Sheet</b>	124ST-FZ
<b>Elec Comp Type</b>	CSR
<b>Current (Amp)</b>	
Load Rated Amp	6.3
Max Cont Current	10.9
Lock Rotor Amp	46
<b>Fan</b>	
Speed (rpm)	830
Power (W)	65.0
Diameter (mm)	360
Protection	Overload
IP Level	IP44
<b>Condenser</b>	360/14100
<b>Liquid Receiver</b>	
Capacity (L)	1.5
Maximum Pressure (Bars)	32.0
<b>Suction Line</b>	
Suction Type	Tube / Tube
For Tubing Out Diam	15.9 (5/8")
Suction Connection Type	Brased
<b>Liquid Line</b>	
Liquid Line Type	Tube
For Tubing Out Diam	9.5 (3/8")
Liquid Connecton Type	Brased
<b>Connection Type</b>	TT
<b>Fan Guard</b>	maille < à 8mm

Note : Tecumseh reserves the right to change information contained in this document without notification.



**Tecumseh**

<b>WINAJ2464Z-FZ</b>	<b>Tension FZ : 220 - 240V 1~ 50 Hz</b>
----------------------	-----------------------------------------

Les performances sont données dans les <b>conditions EN13215</b> :	Gaz aspirés :	20.0 °C
Condition Dew	Sous refroidissement :	3.0 K
The performance data are in <b>EN13215 conditions</b> :	Return gas :	20.0 °C
Dew Condition	Subcooling :	3.0 K

© 2019 Tecumseh Products Company  
All rights reserved

### 50 Hz R452A

**N°6431**

5   T ambience	6   T évaporation	(°C)	<b>-40</b>	<b>-35</b>	<b>-30</b>	<b>-25</b>	<b>-20</b>	<b>-15</b>	<b>-10</b>
<b>25</b>	1   P frigorifique	(Watt)	737	994	1299	1655	2061	2518	3023
	2   P absorbée	(W)	741	842	950	1068	1199	1346	1511
	3   I absorbée	(A)	4.17	4.49	4.88	5.36	5.94	6.61	7.39
	4   Tc	(°C)	24.4	25.3	26.4	27.8	29.4	31.4	33.6
<b>32</b>	1   P frigorifique	(Watt)	630	867	1146	1470	1839	2253	2709
	2   P absorbée	(W)	733	847	968	1100	1244	1404	1582
	3   I absorbée	(A)	4.11	4.50	4.97	5.51	6.14	6.86	7.69
	4   Tc	(°C)	31.2	32.0	33.1	34.4	36.0	37.9	40.1
<b>43</b>	1   P frigorifique	(Watt)	463	665	900	1172	1481	1826	2206
	2   P absorbée	(W)	699	834	976	1129	1295	1476	1676
	3   I absorbée	(A)	3.96	4.47	5.04	5.67	6.39	7.19	8.09
	4   Tc	(°C)	42.1	42.8	43.8	45.0	46.6	48.4	50.5

### 50 Hz R404A

**N°6353**

5   T ambience	6   T évaporation	(°C)	<b>-40</b>	<b>-35</b>	<b>-30</b>	<b>-25</b>	<b>-20</b>	<b>-15</b>	<b>-10</b>
<b>25</b>	1   P frigorifique	(Watt)	822	1096	1419	1790	2206	2665	3162
	2   P absorbée	(W)	787	897	1012	1135	1268	1415	1579
	3   I absorbée	(A)	4.43	4.78	5.21	5.70	6.29	6.96	7.74
	4   Tc	(°C)	27.3	28.2	29.3	30.7	32.3	34.2	36.4
<b>32</b>	1   P frigorifique	(Watt)	706	957	1251	1587	1962	2375	2820
	2   P absorbée	(W)	787	908	1035	1171	1318	1479	1657
	3   I absorbée	(A)	4.42	4.83	5.31	5.87	6.51	7.23	8.06
	4   Tc	(°C)	34.1	34.9	35.9	37.2	38.8	40.6	42.7
<b>43</b>	1   P frigorifique	(Watt)	526	740	987	1267	1578	1917	2282
	2   P absorbée	(W)	765	905	1052	1209	1377	1561	1764
	3   I absorbée	(A)	4.34	4.85	5.43	6.07	6.80	7.61	8.51
	4   Tc	(°C)	44.7	45.3	46.3	47.5	48.9	50.7	52.7

**1 = cooling capacity 2 = power input 3 = current 4 = condensing temperature 5 = ambient temperature 6 = evaporating temperature**

**Nota : Tecumseh se réserve le droit de modifier les informations contenues dans ce document sans préavis.**

**Note : Tecumseh reserves the right to change information contained in this document without notification.**



**Tecumseh**

<b>WINAJ2464Z-FZ</b>	<b>Tension FZ : 220 - 240V 1~ 50 Hz</b>
----------------------	-----------------------------------------

Les performances sont données dans les <b>conditions EN13215</b> :	Gaz aspirés :	20.0 °C
Condition Dew	Sous refroidissement :	3.0 K
The performance data are in <b>EN13215 conditions</b> :	Return gas :	20.0 °C
Dew Condition	Subcooling :	3.0 K

<b>50 Hz R448A (*)</b>							
<b>N°7009</b>							
5   T ambience	6   T évaporation	(°C)	<b>-30</b>	<b>-25</b>	<b>-20</b>	<b>-15</b>	<b>-10</b>
<b>25</b>	1   P frigorifique	(Watt)	1112	1462	1865	2322	2833
	2   P absorbée	(W)	899	1018	1147	1289	1448
	3   I absorbée	(A)	4.61	5.11	5.67	6.33	7.07
	4   Tc	(°C)	26.7	28.1	29.8	31.7	33.9
<b>32</b>	1   P frigorifique	(Watt)	976	1295	1664	2083	2552
	2   P absorbée	(W)	920	1050	1191	1345	1517
	3   I absorbée	(A)	4.71	5.26	5.87	6.57	7.36
	4   Tc	(°C)	33.5	34.8	36.4	38.3	40.5
<b>43</b>	1   P frigorifique	(Watt)	770	1043	1360	1722	2130
	2   P absorbée	(W)	933	1084	1245	1421	1614
	3   I absorbée	(A)	4.82	5.45	6.15	6.92	7.78
	4   Tc	(°C)	44.2	45.5	47.0	48.9	50.9

<b>50 Hz R449A (*)</b>							
<b>N°6403</b>							
5   T ambience	6   T évaporation	(°C)	<b>-30</b>	<b>-25</b>	<b>-20</b>	<b>-15</b>	<b>-10</b>
<b>25</b>	1   P frigorifique	(Watt)	1113	1462	1866	2324	2834
	2   P absorbée	(W)	899	1018	1147	1289	1448
	3   I absorbée	(A)	4.61	5.11	5.67	6.33	7.07
	4   Tc	(°C)	26.7	28.1	29.8	31.7	34.0
<b>32</b>	1   P frigorifique	(Watt)	977	1295	1664	2084	2553
	2   P absorbée	(W)	920	1050	1191	1345	1517
	3   I absorbée	(A)	4.71	5.26	5.87	6.57	7.36
	4   Tc	(°C)	33.5	34.8	36.4	38.3	40.5
<b>43</b>	1   P frigorifique	(Watt)	771	1043	1361	1723	2131
	2   P absorbée	(W)	933	1084	1245	1421	1614
	3   I absorbée	(A)	4.82	5.45	6.15	6.92	7.78
	4   Tc	(°C)	44.2	45.5	47.0	48.8	50.9

**1 = cooling capacity 2 = power input 3 = current 4 = condensing temperature 5 = ambient temperature 6 = evaporating temperature**

(\*) Veuillez vous référer strictement aux Recommandations d'Utilisation et Bulletins Marketing Tecumseh du fait de la température de reflux élevée pour les applications LBP.

(\*) Due to very high discharge temperature especially on LBP conditions, please strictly refer to Tecumseh Guidelines & Marketing Bulletin when using this refrigerant.

**Nota : Tecumseh se réserve le droit de modifier les informations contenues dans ce document sans préavis.**

**Note : Tecumseh reserves the right to change information contained in this document without notification.**

© 2019 Tecumseh Products Company  
All rights reserved