

# ROEN EST S.p.A.

34077 Ronchi dei Legionari (GO) - Italy

Tel.: +39 0481 474140 - Fax: +39 0481 779997

http: [www.roenest.com](http://www.roenest.com) - e-mail: [info@roenest.com](mailto:info@roenest.com)

**ROENEST**<sup>®</sup>  
GROUP  
HEAT EXCHANGERS AND MORE

Client:

Attention of:

Your rif.:

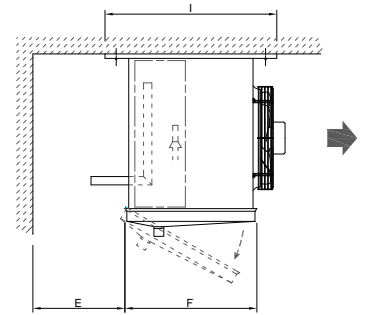
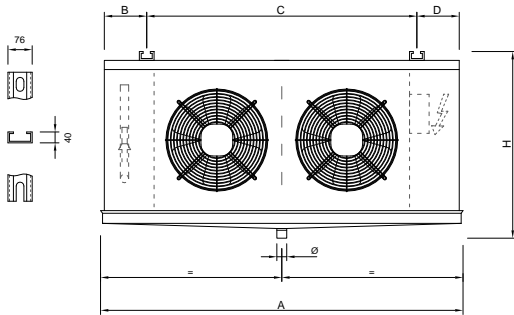
Our rif.:

FC.N.45.2.08-4T-D

Operator:

REVENT 1.2.94

Date: 09.01.2021 15.55



Capacity (kW) 13,33

Electric Defrost (kW) 6,7

## AIR

Flow (m<sup>3</sup>/h) 10500  
Temp.IN (°C) 0  
Air Throw (m) 25

## EXCHANGER

### FINS

Fins material AL  
Fin pitch (mm)  
Surface (m<sup>2</sup>) 78

## FLUID

R449a  
Temp.Evap. (dew) (°C) -8

### TUBES

Material CU  
Volume (dm<sup>3</sup>) 12,2

## FANS

Nr. 2  
Diameter (mm) 450  
RPM (min<sup>-1</sup>) 1400  
Supply line (V/P/Hz) 400/3/50  
Current (A) 2x0,9  
Capacity (W) 2x590

### HEADERS

Material CU  
IN (mm) 16  
OUT (mm) 28

## NOISE

Pressure level (dB(A)) 53  
Distance (m) 5

### DIMENSIONS

Length(A) (mm) 1800  
Width(F) (mm) 550  
Height(H) (mm) 740  
Fixing brackets(C) (mm) 1480  
Weight (kg) 91

Frost Factor Correction 6/24h

**Ventilator data are approximated**

**Attention!! Thanks to the continuous evolution of the products that Roen Est develops, the measures and technical solutions reported here may not correspond to the latest versions. Please, contact the Roen Est Technical Office to have the appropriate confirmations.**