

ROEN EST S.p.A.

34077 Ronchi dei Legionari (GO) - Italy

Tel.: +39 0481 474140 - Fax: +39 0481 779997

http: www.roenest.com - e-mail: info@roenest.com

ROENEST
GROUP
HEAT EXCHANGERS AND MORE

Client:

Attention of:

Your rif.:

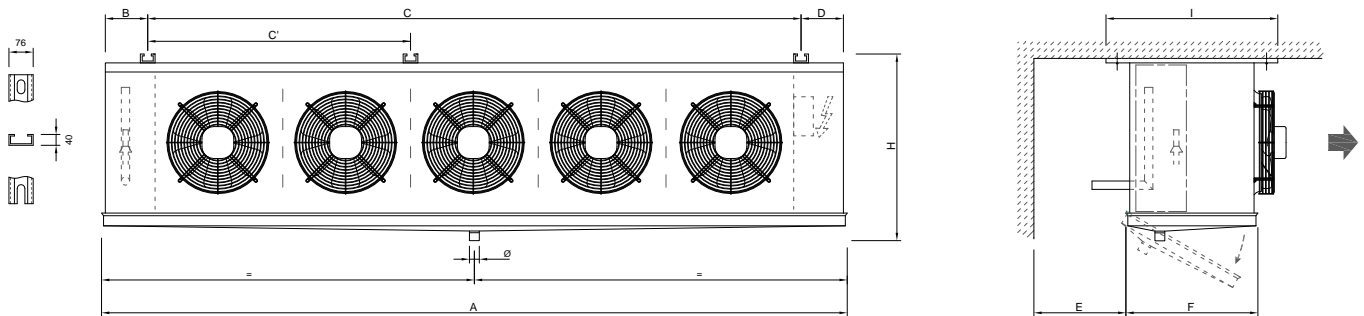
Our rif.:

FC.N.50.5.10-4T-D

Operator:

REVENT 1.2.94

Date: 09.01.2021 16.05



Capacity (kW)	58,26	Electric Defrost (kW)	23,8
AIR		EXCHANGER	
Flow (m ³ /h)	40300	FINS	
Temp.IN (°C)	0	Fins material	AL
Air Throw (m)	35	Fin pitch (mm)	
FLUID	R449a	Surface (m ²)	325
Temp.Evap. (dew) (°C)	-8	TUBES	
FANS		Material	CU
Nr.	5	Volume (dm ³)	53
Diameter (mm)	500	HEADERS	
RPM (min ⁻¹)	1340	Material	CU
Supply line (V/P/Hz)	400/3/50	IN (mm)	35
Current (A)	5x1,35	OUT (mm)	54
Capacity (W)	5x780	DIMENSIONS	
NOISE		Length(A) (mm)	4850
Pressure level (dB(A))	58	Width(F) (mm)	690
Distance (m)	5	Height(H) (mm)	810
		Fixing brackets(C) (mm)	4530
		Weight (kg)	404

Frost Factor Correction 6/24h

Ventilator data are approximated

Attention!! Thanks to the continuous evolution of the products that Roen Est develops, the measures and technical solutions reported here may not correspond to the latest versions. Please, contact the Roen Est Technical Office to have the appropriate confirmations.