

ROEN EST S.p.A.

34077 Ronchi dei Legionari (GO) - Italy

Tel.: +39 0481 474140 - Fax: +39 0481 779997

http: www.roenest.com - e-mail: info@roenest.com

ROENEST
GROUP
HEAT EXCHANGERS AND MORE

Client:

Attention of:

Your rif.:

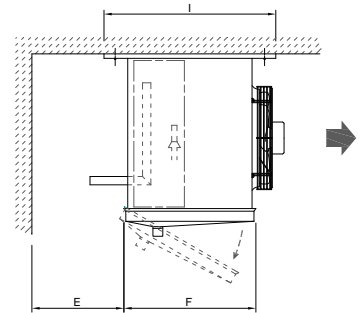
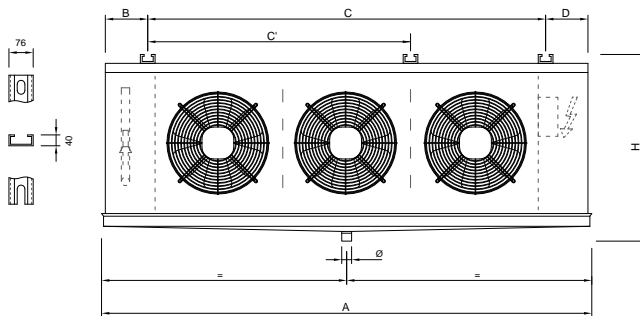
Our rif.:

FC.N.35.3.08-4M

Operator:

REVENT 1.2.94

Date: 09.01.2021 15.53



Capacity (kW)

9,09

Electric Defrost (kW)

4,5

AIR

Flow (m³/h)

6590

Temp.IN (°C)

0

Air Throw (m)

15

FLUID

R449a

Temp.Evap. (dew) (°C)

-8

FANS

Nr.

3

Diameter (mm)

350

RPM (min⁻¹)

1450

Supply line (V/P/Hz)

230/1/50

Current (A)

3x0,68

Capacity (W)

3x145

NOISE

Pressure level (dB(A))

55

Distance (m)

5

EXCHANGER

FINS

Fins material

AL

Fin pitch (mm)

Surface (m²)

59

TUBES

Material

CU

Volume (dm³)

8,9

HEADERS

Material

CU

IN (mm)

16

OUT (mm)

28

DIMENSIONS

Length(A) (mm)

1800

Width(F) (mm)

500

Height(H) (mm)

540

Fixing brackets(C) (mm)

1520

Weight (kg)

69

Frost Factor Correction 6/24h

Ventilator data are approximated

Attention!! Thanks to the continuous evolution of the products that Roen Est develops, the measures and technical solutions reported here may not correspond to the latest versions. Please, contact the Roen Est Technical Office to have the appropriate confirmations.