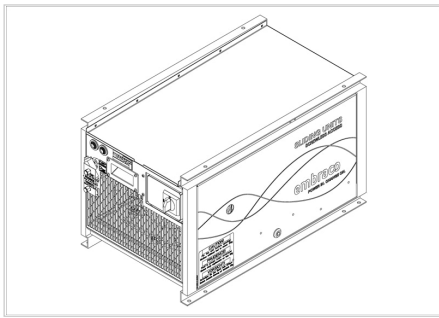


MODEL

UDNT6226GK

embraco




APPROVALS




 **ENGINEERING CODE**
603BAD6C4DA

 **APPROVED REFRIGERANT**
R404A

 **POWER SUPPLY**
220 - 240V 50Hz ~

 **STANDARD CONDITIONS**
ASHRAE

 **APPLICATION**
M/HBP

 **COOLING CAPACITY**
2345 W

 **EFFICIENCY**
1.57 W/W

DATA

General Data

Weight	75.5 Kg
Receiver	2.3 L
Height	470 mm
Length	822 mm
Width	460 mm
Power Supply	220 - 240 V 50 Hz

Electrical Data

Motor Type	CSR
Locked Rotor Amperage (LRA)	38 A
Max Current	7.2 A

Spare Parts

Condenser	3R14T	2451221
Fan Kit	S4E300-XX	1996589
Valve Suction	SOLDER 1/2"	2110118
Valve Discharge	SOLDER 3/8"	2110119
Dryer	FILTER DRYER 10MM ODF	2730010
Sight Glass	SIGHT GLASS 10MM ODF	2464040
LP Pressostat	PS1-A3K	2466036
Flexi Hose	FLEXI HOSE 12MM ODF	2464244
HP Pressostat	P100CP-106D	2466034
Heater	CRANKCASE HEATER 230V/40W	2464205
Compressor	NT6226GK	923BA02..AC
Electrical Kit	ELECTRICAL BOX/PROTECTOR	1996566/2289018

Noise Data

Sound Power Level	63.1 dB (A)	-	-
Sound Pressure Level	at 1 m	at 5 m	at 10 m
	55.1 dB (A)	41.1 dB (A)	35.1 dB (A)

Fan Motor

Number	1
Shaft Power	95 W
Air Flow	1450 m ³ /h
Blade diameter	-

PERFORMANCE

Rated Points

Ambient Temperature	Evaporating Temperature	Cooling Capacity	Power Consumption	Current	Efficiency
32.00°C	7.20°C	2345 W	1494 W	7.18 A	1.57 W/W

Test Condition: ASHRAE, Return Gas 32 °C, Subcooling 3K , Evaporation 7.20°C, Condensing 0 °C, Ambient 32.00°C

Performance Curve Data

Ambient Temperature 25°C

Evaporating Temperature °C	Cooling Capacity W	Power Consumption W	Current A	Efficiency W/W
-20	1188	839	4.2	1.42
-15	1406	935	4.61	1.5
-5	1928	1144	5.55	1.68
0	2203	1261	6.09	1.75
5	2469	1389	6.68	1.78
7	2579	1449	6.96	1.78
10	2710	1530	7.33	1.77

Test Condition: ASHRAE, M/HBP

Ambient Temperature 32°C

Evaporating Temperature °C	Cooling Capacity W	Power Consumption W	Current A	Efficiency W/W
-20	1078	866	4.34	1.24
-15	1277	963	4.75	1.33
-5	1755	1178	5.71	1.49
0	2007	1299	6.27	1.54
5	2247	1432	6.89	1.57
7	2345	1494	7.18	1.57
10	2461	1578	7.56	1.56

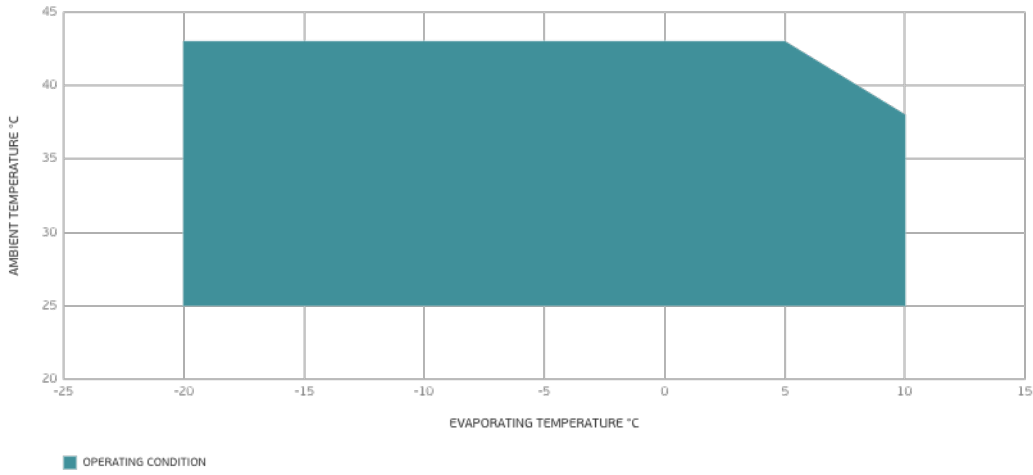
Test Condition: ASHRAE, M/HBP

Ambient Temperature 43°C

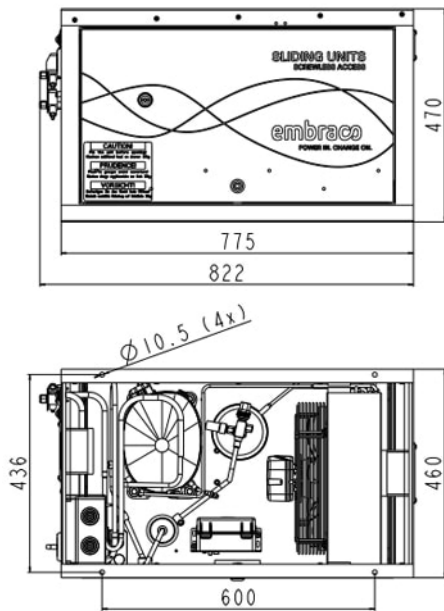
Evaporating Temperature °C	Cooling Capacity W	Power Consumption W	Current A	Efficiency W/W
-20	918	918	4.6	1
-15	1084	1020	5.03	1.06
-5	1491	1250	6.06	1.19
0	1702	1381	6.66	1.23
5	1900	1524	7.32	1.25
7	1979	1591	7.64	1.24
10	2070	1681	8.05	1.23

Test Condition: ASHRAE, M/HBP

Operating Envelope



External Dimensions



Wiring Diagram

