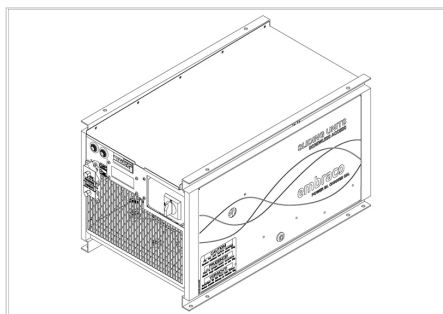


MODEL


UDNT2192GK

embraco




APPROVALS



 **ENGINEERING CODE**
503EAD6C4DA

 **APPROVED REFRIGERANT**
R404A

 **POWER SUPPLY**
220 - 240V 50Hz ~

 **STANDARD CONDITIONS**
ASHRAE

 **APPLICATION**
LBP

 **COOLING CAPACITY**
920 W

 **EFFICIENCY**
1.23 W/W

DATA

General Data

Weight	65 Kg
Receiver	2.3 L
Height	470 mm
Length	822 mm
Width	460 mm
Power Supply	220 - 240 V 50 Hz

Electrical Data

Motor Type	CSR
Locked Rotor Amperage (LRA)	35 A
Max Current	4.9 A

Spare Parts

Valve Suction	SOLDER 1/2"	2110118
Valve Discharge	SOLDER 3/8"	2110119
Dryer	FILTER DRYER 10MM ODF	2730010
Sight Glass	SIGHT GLASS 10MM ODF	2464040
LP Pressostat	PS1-A3K	2466036
HP Pressostat	P100CP-106D	2466034
Compressor	NT2192GK	923EA04..AC
Condenser	3R12T	2451226
Fan Kit	AXIAL FAN 230V/50HZ/1PH	1996726
Electrical Kit	ELECTRICAL BOX/PROTECTOR	1996562/2321105
Heater	CRANKCASE HEATER 230V/40W	2464205
Flexi Hose	FLEXI HOSE 10MM ODF	2464241

Noise Data

Sound Power Level	61.1 dB (A)	-	-
Sound Pressure Level	at 1 m	at 5 m	at 10 m
	53.1 dB (A)	39.1 dB (A)	33.1 dB (A)

Fan Motor

Number	1
Shaft Power	-
Air Flow	1450 m ³ /h
Blade diameter	250 mm

PERFORMANCE

Rated Points

Ambient Temperature	Cooling Capacity	Power Consumption	Current	Efficiency
32.00°C	920 W	745 W	3.78 A	1.23 W/W

Test Condition: ASHRAE, Return Gas 32 °C, Subcooling 3K , Evaporation -23.30°C, Condensing 0 °C, Ambient 32.00°C

Performance Curve Data

Ambient Temperature 25°C

Evaporating Temperature °C	Cooling Capacity W	Power Consumption W	Current A	Efficiency W/W
-40	435	472	2.7	0.92
-30	775	613	3.22	1.26
-25	964	695	3.56	1.39
-23	1032	724	3.69	1.42
-20	1166	784	3.95	1.49
-15	1378	881	4.38	1.56
-10	1601	985	4.85	1.62

Test Condition: ASHRAE, LBP

Ambient Temperature 32°C

Evaporating Temperature °C	Cooling Capacity W	Power Consumption W	Current A	Efficiency W/W
-40	420	477	2.64	0.88
-30	703	626	3.25	1.12
-25	863	714	3.64	1.21
-23	920	745	3.78	1.23
-20	1033	810	4.07	1.28
-15	1214	915	4.55	1.33
-10	1404	1029	5.07	1.36

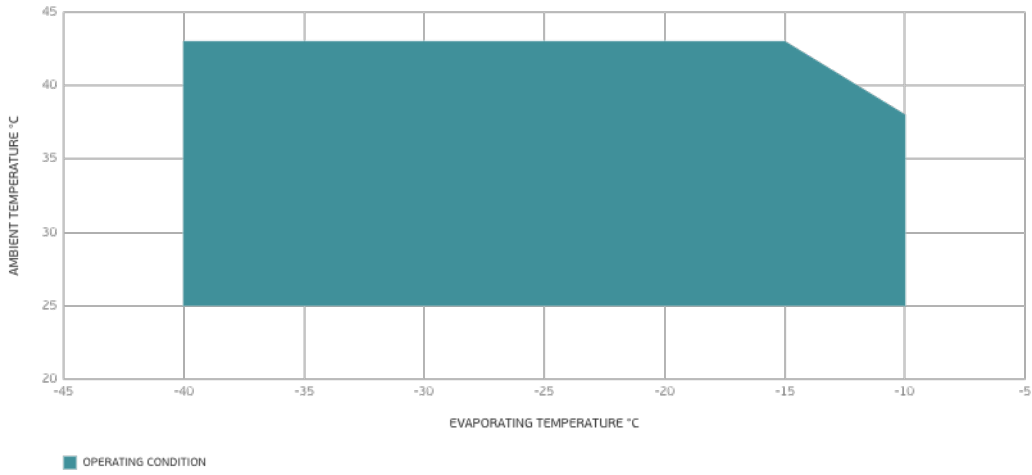
Test Condition: ASHRAE, LBP

Ambient Temperature 43°C

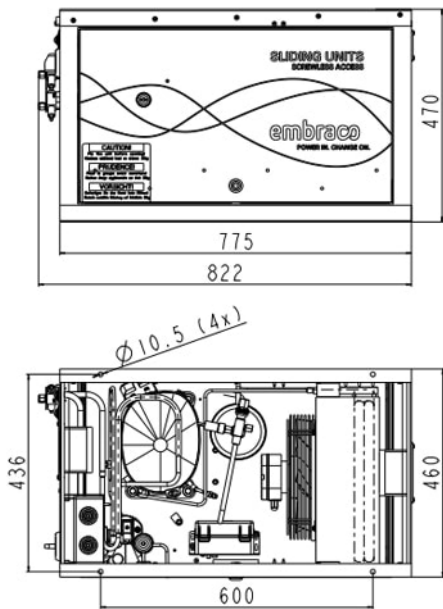
Evaporating Temperature °C	Cooling Capacity W	Power Consumption W	Current A	Efficiency W/W
-40	321	479	2.67	0.67
-30	575	637	3.32	0.9
-25	717	731	3.73	0.98
-23	768	766	3.88	1
-20	869	836	4.19	1.04
-15	1030	952	4.7	1.08
-10	1198	1078	5.26	1.11

Test Condition: ASHRAE, LBP

Operating Envelope



External Dimensions



Wiring Diagram

