



# Tecumseh

Condensing unit  
Voltage Code : XG

## WINAW4538Z-XG

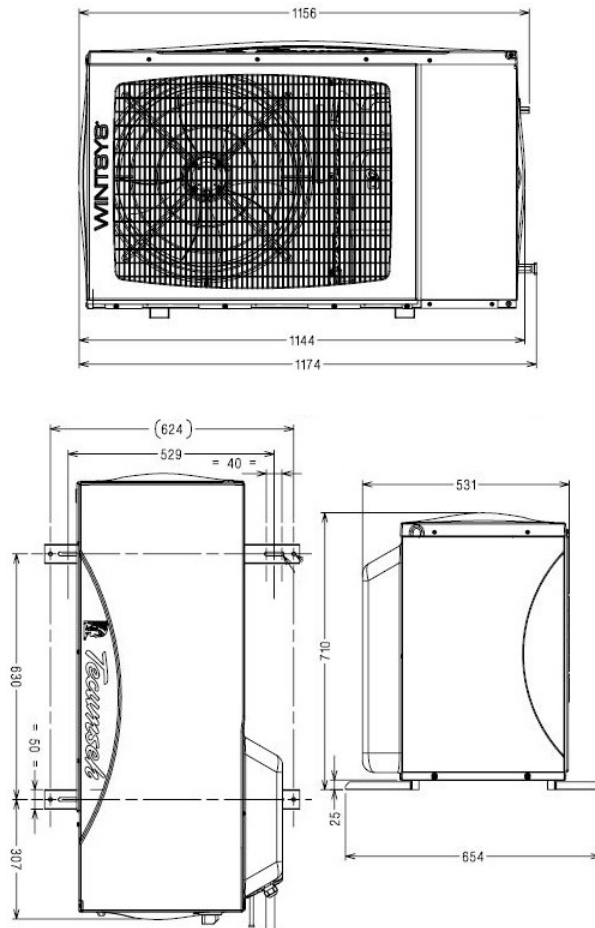
High Temp. Commercial (HP)

380-420V 3~ 50Hz / 460V 3~ 60 Hz

R452A / R404A

WINAW4538Z-XG

Conditions	Frequency	Nominal Cooling Capacity		Sound Power ISO3745 / ISO 3743-1
		Watts	BTU/h	
EN13215 / R452A	60 Hz / 60 Hz	0.00 / 0.00	0.00 / 0.00	78 dBA
EN13215 / R404A	50 Hz / 60 Hz	5239 / 5763	17865 / 19653	78 dBA



\* EN13215 : T°Ambient 32.0°C / T°Evap. -10.0°C / T°Return gas temp.. 20.0°C  
T°Subcooling. 3.0K

<b>Net Weight (Kg)</b>	79.0
<b>Expansion device</b>	Expansion_Valve
<b>Air Flow (m³/h)</b>	2970
<b>Compo Data Sheet</b>	2590
<b>Elec Comp Type</b>	TRI
<b>Current (Amp)</b>	
Load Rated Amp	6.9
Max Cont Current	9.7
Lock Rotor Amp	46
<b>Fan</b>	
Speed (rpm)	830 / 830
Power (W)	95.0
Diameter (mm)	450
Protection	Overload
IP Level	IP54
<b>Condenser</b>	450/17000
<b>Liquid Receiver</b>	
Capacity (L)	3.9
Maximum Pressure (Bars)	32.0
<b>Suction Line</b>	
Suction Type	Tube / Tube
For Tubing Out Diam	22.2 (7/8")
Suction Connection Type	Brased
<b>Liquid Line</b>	
Liquid Line Type	Tube
For Tubing Out Diam	12.7 (1/2")
Liquid Connecton Type	Brased
<b>Connection Type</b>	TT
<b>Fan Guard</b>	maille < à 8mm

Note : Tecumseh reserves the right to change information contained in this document without notification.



**Tecumseh**

<b>WINAW4538Z-XG</b>	<b>Tension XG : 380-420V 3~ 50Hz / 460V 3~ 60 Hz</b>
----------------------	--

Les performances sont données dans les <b>conditions EN13215</b> :	Gaz aspirés :	20.0 °C
Condition Dew	Sous refroidissement :	3.0 K
The performance data are in <b>EN13215 conditions</b> :	Return gas :	20.0 °C
Dew Condition	Subcooling :	3.0 K

<b>60 Hz R452A</b>											
											<b>N°6675o</b>
5   T ambience	6   T évaporation	(°C)	<b>-25</b>	<b>-20</b>	<b>-15</b>	<b>-10</b>	<b>-5</b>	<b>0</b>	<b>5</b>	<b>10</b>	<b>15</b>
<b>25</b>	1   P frigorifique	(Watt)	0.00	0.00	0.00	0.00	0.00	0.00	0.00	0.00	0.00
	2   P absorbée	(W)	0.00	0.00	0.00	0.00	0.00	0.00	0.00	0.00	0.00
	3   I absorbée	(A)	3.96	4.00	4.02	4.05	4.06	4.07	4.06	4.06	4.04
	4   Tc	(°C)	-4.10	-4.10	-4.10	-4.10	-4.10	-4.10	-4.10	-4.10	-4.10
<b>32</b>	1   P frigorifique	(Watt)	0.00	0.00	0.00	0.00	0.00	0.00	0.00	0.00	0.00
	2   P absorbée	(W)	0.00	0.00	0.00	0.00	0.00	0.00	0.00	0.00	0.00
	3   I absorbée	(A)	3.96	4.00	4.02	4.05	4.06	4.07	4.06	4.06	4.04
	4   Tc	(°C)	-4.10	-4.10	-4.10	-4.10	-4.10	-4.10	-4.10	-4.10	-4.10
<b>43</b>	1   P frigorifique	(Watt)	0.00	0.00	0.00	0.00	0.00	0.00	0.00	0.00	0.00
	2   P absorbée	(W)	0.00	0.00	0.00	0.00	0.00	0.00	0.00	0.00	0.00
	3   I absorbée	(A)	3.96	4.00	4.02	4.05	4.06	4.07	4.06	4.06	4.04
	4   Tc	(°C)	-4.10	-4.10	-4.10	-4.10	-4.10	-4.10	-4.10	-4.10	-4.10

<b>50 Hz R452A</b>											
											<b>N°User-15</b>
5   T ambience	6   T évaporation	(°C)	<b>-25</b>	<b>-20</b>	<b>-15</b>	<b>-10</b>	<b>-5</b>	<b>0</b>	<b>5</b>	<b>10</b>	<b>15</b>
<b>25</b>	1   P frigorifique	(Watt)	2798	3664	4619	5655	6755	7896	9053	10203	11342
	2   P absorbée	(W)	1501	1729	1960	2199	2453	2729	3033	3375	3763
	3   I absorbée	(A)	4.28	4.51	4.76	5.04	5.36	5.73	6.16	6.66	7.24
	4   Tc	(°C)	27.9	29.4	31.3	33.6	36.1	38.9	41.8	44.9	48.2
<b>32</b>	1   P frigorifique	(Watt)		3161	4053	5008	6014	7057	8123	9201	10313
	2   P absorbée	(W)		1781	2041	2306	2582	2875	3190	3536	3921
	3   I absorbée	(A)		4.58	4.88	5.20	5.55	5.94	6.39	6.89	7.47
	4   Tc	(°C)		35.9	37.7	39.7	42.0	44.5	47.1	49.8	52.6
<b>43</b>	1   P frigorifique	(Watt)			3144	3971	4833	5731	6669	7664	8781
	2   P absorbée	(W)			2139	2450	2766	3090	3428	3785	4167
	3   I absorbée	(A)			5.08	5.45	5.86	6.29	6.76	7.27	7.83
	4   Tc	(°C)			47.7	49.4	51.3	53.3	55.4	57.5	59.6

**1 = cooling capacity 2 = power input 3 = current 4 = condensing temperature 5 = ambient temperature 6 = evaporating temperature**

**Nota : Tecumseh se réserve le droit de modifier les informations contenues dans ce document sans préavis.**

**Note : Tecumseh reserves the right to change information contained in this document without notification.**

© 2019 Tecumseh Products Company  
All rights reserved



**Tecumseh**

<b>WINAW4538Z-XG</b>	<b>Tension XG : 380-420V 3~ 50Hz / 460V 3~ 60 Hz</b>
----------------------	--

Les performances sont données dans les <b>conditions EN13215</b> :	Gaz aspirés :	20.0 °C
Condition Dew	Sous refroidissement :	3.0 K
The performance data are in <b>EN13215 conditions</b> :	Return gas :	20.0 °C
Dew Condition	Subcooling :	3.0 K

<b>60 Hz R452A</b>											
<b>N°User-15</b>											
5   T ambience	6   T évaporation	(°C)	-25	-20	-15	-10	-5	0	5	10	15
<b>25</b>	1   P frigorifique	(Watt)		4065	5094	6219	7420	8674	9951	11230	12518
	2   P absorbée	(W)		2044	2320	2610	2919	3254	3621	4027	4480
	3   I absorbée	(A)		4.46	4.75	5.06	5.40	5.77	6.18	6.64	7.16
	4   Tc	(°C)		32.5	34.3	36.5	38.9	41.6	44.5	47.5	50.6
<b>32</b>	1   P frigorifique	(Watt)		3466	4411	5429	6509	7637	8797	9987	11249
	2   P absorbée	(W)		2076	2380	2693	3022	3372	3749	4159	4609
	3   I absorbée	(A)		4.47	4.80	5.14	5.51	5.90	6.32	6.79	7.30
	4   Tc	(°C)		39.2	40.9	42.8	45.0	47.4	50.0	52.6	55.3
<b>43</b>	1   P frigorifique	(Watt)				4144	5040	5985	6990	8092	
	2   P absorbée	(W)				2775	3144	3525	3925	4346	
	3   I absorbée	(A)				5.23	5.64	6.07	6.52	7.00	
	4   Tc	(°C)				52.9	54.7	56.6	58.6	60.6	

<b>50 Hz R404A</b>											
<b>N°User-12</b>											
5   T ambience	6   T évaporation	(°C)	-25	-20	-15	-10	-5	0	5	10	15
<b>25</b>	1   P frigorifique	(Watt)	3102	3958	4911	5946	7041	8166	9284	10356	11357
	2   P absorbée	(W)	1644	1875	2111	2352	2602	2864	3146	3457	3807
	3   I absorbée	(A)	4.36	4.65	4.95	5.25	5.58	5.93	6.33	6.80	7.34
	4   Tc	(°C)	30.4	32.2	34.2	36.5	38.9	41.6	44.6	47.7	51.0
<b>32</b>	1   P frigorifique	(Watt)		3416	4295	5239	6230	7247	8265	9261	10230
	2   P absorbée	(W)		1929	2191	2457	2730	3012	3308	3623	3968
	3   I absorbée	(A)		4.69	5.04	5.39	5.76	6.16	6.58	7.05	7.58
	4   Tc	(°C)		38.6	40.6	42.6	44.9	47.3	49.9	52.6	55.4
<b>43</b>	1   P frigorifique	(Watt)			3295	4098	4932	5789	6662	7553	8493
	2   P absorbée	(W)			2293	2599	2908	3222	3540	3867	4208
	3   I absorbée	(A)			5.15	5.59	6.04	6.49	6.95	7.43	7.96
	4   Tc	(°C)			50.5	52.3	54.2	56.2	58.2	60.3	62.4

1 = cooling capacity 2 = power input 3 = current 4 = condensing temperature 5 = ambient temperature 6 = evaporating temperature

**Nota : Tecumseh se réserve le droit de modifier les informations contenues dans ce document sans préavis.**  
**Note : Tecumseh reserves the right to change information contained in this document without notification.**

© 2019 Tecumseh Products Company  
All rights reserved



**Tecumseh**

<b>WINAW4538Z-XG</b>	<b>Tension XG : 380-420V 3~ 50Hz / 460V 3~ 60 Hz</b>
----------------------	--

Les performances sont données dans les <b>conditions EN13215</b> :	Gaz aspirés :	20.0 °C
Condition Dew	Sous refroidissement :	3.0 K
The performance data are in <b>EN13215 conditions</b> :	Return gas :	20.0 °C
Dew Condition	Subcooling :	3.0 K

© 2019 Tecumseh Products Company  
All rights reserved

**60 Hz R404A**

**N°User-12**

5   T ambience	6   T évaporation	(°C)	-25	-20	-15	-10	-5	0	5	10	15
<b>25</b>	1   P frigorifique	(Watt)	3362	4388	5485	6641	7835	9037	10210	11316	12338
	2   P absorbée	(W)	1914	2233	2543	2848	3155	3472	3807	4170	4571
	3   I absorbée	(A)	4.36	4.67	4.98	5.30	5.63	5.98	6.37	6.81	7.30
	4   Tc	(°C)	33.5	35.2	37.2	39.3	41.7	44.3	47.1	50.1	53.3
<b>32</b>	1   P frigorifique	(Watt)		3687	4707	5763	6842	7923	8984	10006	10997
	2   P absorbée	(W)		2241	2589	2929	3266	3606	3955	4324	4720
	3   I absorbée	(A)		4.68	5.04	5.40	5.76	6.15	6.55	7.00	7.48
	4   Tc	(°C)		41.9	43.7	45.7	47.8	50.1	52.6	55.2	58.0
<b>43</b>	1   P frigorifique	(Watt)			3479	4380	5281	6181	7080		
	2   P absorbée	(W)			2641	3035	3420	3798	4174		
	3   I absorbée	(A)			5.08	5.51	5.94	6.37	6.81		
	4   Tc	(°C)			53.9	55.6	57.4	59.3	61.2		

1 = cooling capacity 2 = power input 3 = current 4 = condensing temperature 5 = ambient temperature 6 = evaporating temperature

**Nota : Tecumseh se réserve le droit de modifier les informations contenues dans ce document sans préavis.**

**Note : Tecumseh reserves the right to change information contained in this document without notification.**