

ROEN EST S.p.A.

34077 Ronchi dei Legionari (GO) - Italy

Tel.: +39 0481 474140 - Fax: +39 0481 779997

http: www.roenest.com - e-mail: info@roenest.com

ROENEST
GROUP
HEAT EXCHANGERS AND MORE

Client:

Attention of:

Your rif.:

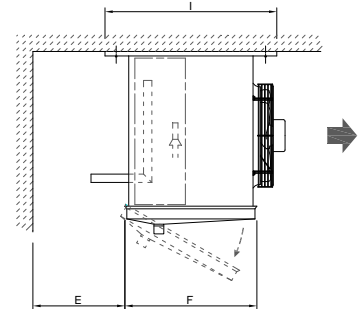
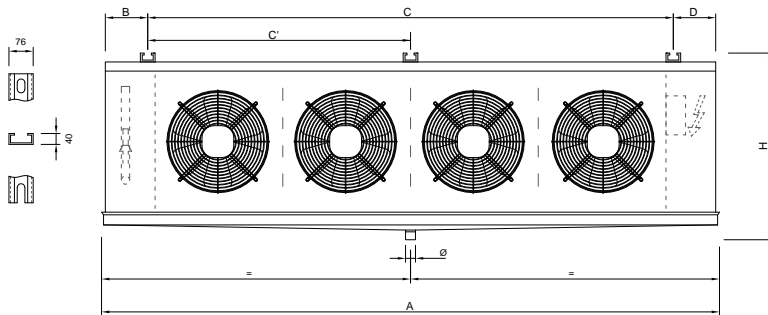
Our rif.:

FC.N.50.4.10-4T-D

Operator:

REVENT 1.2.94

Date: 09.01.2021 16.05



Capacity (kW) 46,02

Electric Defrost (kW) 21,4

AIR

Flow (m³/h) 31500

Temp.IN (°C) 0

Air Throw (m) 35

FLUID

R449a

Temp.Evap. (dew) (°C) -8

FANS

Nr. 4

Diameter (mm) 500

RPM (min⁻¹) 1340

Supply line (V/P/Hz) 400/3/50

Current (A) 4x1,35

Capacity (W) 4x780

NOISE

Pressure level (dB(A)) 57

Distance (m) 5

EXCHANGER

FINS

Fins material AL

Fin pitch (mm)

Surface (m²) 260

TUBES

Material CU

Volume (dm³) 42

HEADERS

Material CU

IN (mm) 35

OUT (mm) 54

DIMENSIONS

Length(A) (mm) 3950

Width(F) (mm) 690

Height(H) (mm) 810

Fixing brackets(C) (mm) 3630

Weight (kg) 327

Frost Factor Correction 6/24h

Ventilator data are approximated

Attention!! Thanks to the continuous evolution of the products that Roen Est develops, the measures and technical solutions reported here may not correspond to the latest versions. Please, contact the Roen Est Technical Office to have the appropriate confirmations.