



Condensing unit  
Voltage Code : FZ

# WINAJ4517Z-FZ

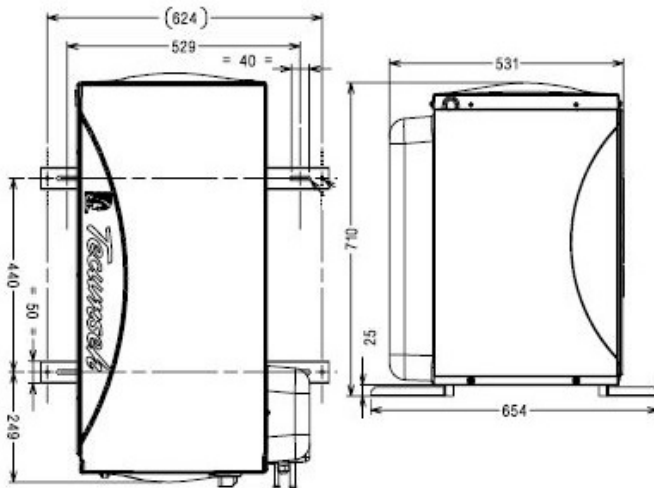
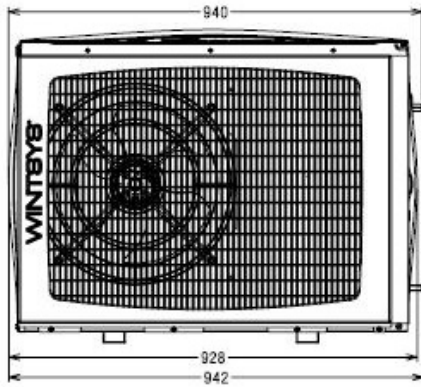
High Temp. Commercial (HP)

220 - 240V 1~ 50 Hz

R452A / R404A / R448A / R449A

WINAJ4517Z-FZ

| Conditions      | Frequency | Nominal Cooling Capacity |       | Sound Power<br>ISO3745 / ISO 3743-1 |
|-----------------|-----------|--------------------------|-------|-------------------------------------|
|                 |           | Watts                    | BTU/h |                                     |
| EN13215 / R452A | 50 Hz     | 2190                     | 7470  | 61 dBA                              |
| EN13215 / R404A | 50 Hz     | 2296                     | 7830  | 61 dBA                              |
| EN13215 / R448A | 50 Hz     | 2003                     | 6831  | 61 dBA                              |
| EN13215 / R449A | 50 Hz     | 2004                     | 6835  | 61 dBA                              |



\* EN13215 : T°Ambient 32.0°C / T°Evap. -10.0°C / T°Return gas temp.. 20.0°C  
T°Subcooling. 3.0K

|                         |                 |
|-------------------------|-----------------|
| <b>Net Weight (Kg)</b>  | 65.0            |
| <b>Expansion device</b> | Expansion_Valve |
| <b>Air Flow (m³/h)</b>  | 1650            |
| <b>Compo Data Sheet</b> | 224LT-FZ        |
| <b>Elec Comp Type</b>   | CSR             |
| <b>Current (Amp)</b>    |                 |
| Load Rated Amp          | 7.6             |
| Max Cont Current        | 13.2            |
| Lock Rotor Amp          | 39              |
| <b>Fan</b>              |                 |
| Speed (rpm)             | 546             |
| Power (W)               | 65.0            |
| Diameter (mm)           | 360             |
| Protection              | Overload        |
| IP Level                | IP44            |
| <b>Condenser</b>        | 360/14100       |
| <b>Liquid Receiver</b>  |                 |
| Capacity (L)            | 2.35            |
| Maximum Pressure (Bars) | 32.0            |
| <b>Suction Line</b>     |                 |
| Suction Type            | Tube / Tube     |
| For Tubing Out Diam     | 15.9 (5/8")     |
| Suction Connection Type | Brased          |
| <b>Liquid Line</b>      |                 |
| Liquid Line Type        | Tube            |
| For Tubing Out Diam     | 9.5 (3/8")      |
| Liquid Connecton Type   | Brased          |
| <b>Connection Type</b>  | TT              |
| <b>Fan Guard</b>        | maille < à 8mm  |

Note : Tecumseh reserves the right to change information contained in this document without notification.



**Tecumseh**

|                      |   |
|----------------------|---|
| <b>WINAJ4517Z-FZ</b> | <b>Tension FZ : 220 - 240V 1~ 50 Hz</b> |
|----------------------|---|

|  |                        |         |
|--|------------------------|---------|
| Les performances sont données dans les <b>conditions EN13215</b> : | Gaz aspirés :          | 20.0 °C |
| Condition Dew  | Sous refroidissement : | 3.0 K   |
| The performance data are in <b>EN13215 conditions</b> :            | Return gas :           | 20.0 °C |
| Dew Condition  | Subcooling :           | 3.0 K   |

© 2019 Tecumseh Products Company  
All rights reserved

### 50 Hz R452A

**N°6433**

| 5   T ambience | 6   T évaporation  | (°C)   | -25  | -20  | -15  | -10  | -5   | 0    | 5    | 10   | 15   |
|----------------|--------------------|--------|------|------|------|------|------|------|------|------|------|
| <b>25</b>      | 1   P frigorifique | (Watt) | 1275 | 1622 | 2014 | 2453 | 2938 | 3469 | 4044 | 4665 | 5336 |
|                | 2   P absorbée     | (W)    | 793  | 883  | 974  | 1069 | 1171 | 1280 | 1401 | 1533 | 1678 |
|                | 3   I absorbée     | (A)    | 4.21 | 4.57 | 4.96 | 5.39 | 5.85 | 6.36 | 6.91 | 7.51 | 8.15 |
|                | 4   Tc             | (°C)   | 28.4 | 29.7 | 31.3 | 33.0 | 34.9 | 36.9 | 39.0 | 41.1 | 43.2 |
| <b>32</b>      | 1   P frigorifique | (Watt) |      | 1432 | 1792 | 2190 | 2626 | 3099 | 3610 | 4163 | 4762 |
|                | 2   P absorbée     | (W)    |      | 907  | 1011 | 1118 | 1230 | 1350 | 1479 | 1620 | 1773 |
|                | 3   I absorbée     | (A)    |      | 4.71 | 5.16 | 5.63 | 6.14 | 6.70 | 7.29 | 7.92 | 8.59 |
|                | 4   Tc             | (°C)   |      | 35.8 | 37.3 | 39.0 | 40.8 | 42.8 | 44.8 | 46.8 | 48.8 |
| <b>43</b>      | 1   P frigorifique | (Watt) |      |      | 1438 | 1772 | 2129 | 2513 | 2926 | 3374 | 3867 |
|                | 2   P absorbée     | (W)    |      |      | 1048 | 1177 | 1310 | 1450 | 1598 | 1755 | 1924 |
|                | 3   I absorbée     | (A)    |      |      | 5.30 | 5.86 | 6.46 | 7.08 | 7.74 | 8.44 | 9.18 |
|                | 4   Tc             | (°C)   |      |      | 47.0 | 48.6 | 50.3 | 52.2 | 54.0 | 55.8 | 57.6 |

### 50 Hz R404A

**N°6376**

| 5   T ambience | 6   T évaporation  | (°C)   | -25  | -20  | -15  | -10  | -5   | 0    | 5    | 10   | 15   |
|----------------|--------------------|--------|------|------|------|------|------|------|------|------|------|
| <b>25</b>      | 1   P frigorifique | (Watt) | 1383 | 1736 | 2132 | 2573 | 3056 | 3578 | 4140 | 4740 | 5381 |
|                | 2   P absorbée     | (W)    | 835  | 926  | 1017 | 1112 | 1212 | 1321 | 1438 | 1566 | 1707 |
|                | 3   I absorbée     | (A)    | 4.43 | 4.79 | 5.18 | 5.60 | 6.06 | 6.56 | 7.10 | 7.67 | 8.29 |
|                | 4   Tc             | (°C)   | 31.3 | 32.6 | 34.1 | 35.8 | 37.6 | 39.6 | 41.6 | 43.7 | 45.8 |
| <b>32</b>      | 1   P frigorifique | (Watt) |      | 1536 | 1899 | 2296 | 2726 | 3189 | 3683 | 4211 | 4778 |
|                | 2   P absorbée     | (W)    |      | 955  | 1059 | 1165 | 1275 | 1393 | 1519 | 1655 | 1803 |
|                | 3   I absorbée     | (A)    |      | 4.96 | 5.40 | 5.87 | 6.38 | 6.92 | 7.49 | 8.10 | 8.74 |
|                | 4   Tc             | (°C)   |      | 38.6 | 40.0 | 41.7 | 43.4 | 45.3 | 47.2 | 49.1 | 51.1 |
| <b>43</b>      | 1   P frigorifique | (Watt) |      |      | 1528 | 1858 | 2206 | 2575 | 2967 | 3385 | 3840 |
|                | 2   P absorbée     | (W)    |      |      | 1104 | 1232 | 1363 | 1499 | 1643 | 1794 | 1955 |
|                | 3   I absorbée     | (A)    |      |      | 5.60 | 6.15 | 6.73 | 7.34 | 7.98 | 8.65 | 9.34 |
|                | 4   Tc             | (°C)   |      |      | 49.4 | 50.9 | 52.6 | 54.3 | 56.0 | 57.7 | 59.4 |

1 = cooling capacity 2 = power input 3 = current 4 = condensing temperature 5 = ambient temperature 6 = evaporating temperature

**Nota : Tecumseh se réserve le droit de modifier les informations contenues dans ce document sans préavis.**

**Note : Tecumseh reserves the right to change information contained in this document without notification.**



**Tecumseh**

|                      |   |
|----------------------|---|
| <b>WINAJ4517Z-FZ</b> | <b>Tension FZ : 220 - 240V 1~ 50 Hz</b> |
|----------------------|---|

|  |                        |         |
|--|------------------------|---------|
| Les performances sont données dans les <b>conditions EN13215</b> : | Gaz aspirés :          | 20.0 °C |
| Condition Dew  | Sous refroidissement : | 3.0 K   |
| The performance data are in <b>EN13215 conditions</b> :            | Return gas :           | 20.0 °C |
| Dew Condition  | Subcooling :           | 3.0 K   |

© 2019 Tecumseh Products Company  
All rights reserved

**50 Hz R448A (\*)**

**N°7011**

| 5   T ambience | 6   T évaporation  | (°C)   | -25  | -20  | -15  | -10  | -5   | 0    | 5    | 10   | 15   |
|----------------|--------------------|--------|------|------|------|------|------|------|------|------|------|
| <b>25</b>      | 1   P frigorifique | (Watt) | 1085 | 1421 | 1803 | 2235 | 2718 | 3255 | 3848 | 4500 | 5216 |
|                | 2   P absorbée     | (W)    | 750  | 836  | 924  | 1018 | 1118 | 1228 | 1347 | 1478 | 1622 |
|                | 3   I absorbée     | (A)    | 3.98 | 4.33 | 4.71 | 5.13 | 5.59 | 6.10 | 6.65 | 7.25 | 7.88 |
|                | 4   Tc             | (°C)   | 28.7 | 30.0 | 31.6 | 33.3 | 35.3 | 37.3 | 39.4 | 41.6 | 43.7 |
| <b>32</b>      | 1   P frigorifique | (Watt) |      | 1253 | 1607 | 2003 | 2444 | 2931 | 3469 | 4063 | 4718 |
|                | 2   P absorbée     | (W)    |      | 860  | 961  | 1066 | 1178 | 1298 | 1429 | 1571 | 1724 |
|                | 3   I absorbée     | (A)    |      | 4.46 | 4.89 | 5.36 | 5.88 | 6.43 | 7.03 | 7.67 | 8.35 |
|                | 4   Tc             | (°C)   |      | 36.2 | 37.7 | 39.4 | 41.3 | 43.2 | 45.2 | 47.3 | 49.3 |
| <b>43</b>      | 1   P frigorifique | (Watt) |      |      | 1299 | 1641 | 2016 | 2428 | 2882 | 3386 |      |
|                | 2   P absorbée     | (W)    |      |      | 997  | 1126 | 1260 | 1403 | 1555 | 1717 |      |
|                | 3   I absorbée     | (A)    |      |      | 5.03 | 5.59 | 6.19 | 6.83 | 7.51 | 8.23 |      |
|                | 4   Tc             | (°C)   |      |      | 47.5 | 49.1 | 50.8 | 52.6 | 54.5 | 56.3 |      |

**50 Hz R449A (\*)**

**N°6405**

| 5   T ambience | 6   T évaporation  | (°C)   | -25  | -20  | -15  | -10  | -5   | 0    | 5    | 10   | 15   |
|----------------|--------------------|--------|------|------|------|------|------|------|------|------|------|
| <b>25</b>      | 1   P frigorifique | (Watt) | 1085 | 1421 | 1804 | 2236 | 2720 | 3257 | 3850 | 4502 | 5219 |
|                | 2   P absorbée     | (W)    | 750  | 836  | 924  | 1018 | 1118 | 1228 | 1347 | 1478 | 1622 |
|                | 3   I absorbée     | (A)    | 3.98 | 4.33 | 4.71 | 5.13 | 5.59 | 6.10 | 6.65 | 7.25 | 7.88 |
|                | 4   Tc             | (°C)   | 28.7 | 30.1 | 31.6 | 33.4 | 35.3 | 37.3 | 39.4 | 41.5 | 43.7 |
| <b>32</b>      | 1   P frigorifique | (Watt) |      | 1253 | 1608 | 2004 | 2445 | 2933 | 3471 | 4065 | 4721 |
|                | 2   P absorbée     | (W)    |      | 860  | 961  | 1066 | 1178 | 1298 | 1429 | 1571 | 1724 |
|                | 3   I absorbée     | (A)    |      | 4.46 | 4.89 | 5.36 | 5.88 | 6.43 | 7.03 | 7.67 | 8.35 |
|                | 4   Tc             | (°C)   |      | 36.2 | 37.7 | 39.4 | 41.3 | 43.2 | 45.2 | 47.2 | 49.2 |
| <b>43</b>      | 1   P frigorifique | (Watt) |      |      | 1300 | 1642 | 2017 | 2429 | 2884 | 3388 |      |
|                | 2   P absorbée     | (W)    |      |      | 997  | 1126 | 1260 | 1403 | 1555 | 1717 |      |
|                | 3   I absorbée     | (A)    |      |      | 5.03 | 5.59 | 6.19 | 6.83 | 7.51 | 8.23 |      |
|                | 4   Tc             | (°C)   |      |      | 47.5 | 49.1 | 50.8 | 52.6 | 54.4 | 56.2 |      |

**1 = cooling capacity 2 = power input 3 = current 4 = condensing temperature 5 = ambient temperature 6 = evaporating temperature**

(\*) Veuillez vous référer strictement aux Recommandations d'Utilisation et Bulletins Marketing Tecumseh du fait de la température de reflux élevée pour les applications LBP.

(\*) Due to very high discharge temperature especially on LBP conditions, please strictly refer to Tecumseh Guidelines & Marketing Bulletin when using this refrigerant.

**Nota : Tecumseh se réserve le droit de modifier les informations contenues dans ce document sans préavis.**

**Note : Tecumseh reserves the right to change information contained in this document without notification.**